

CENTURY SYSTEM POWER PAKS – AIR-COOLED

Perlick Features

- 1/3, 1/2 and 3/4 HP 115V, and 3/4, 1 1/2 HP 230 volt models.
- 134a, constant pressure expansion valve and condensing unit with service valves.
- Adjustable electronic temperature control with digital readout.
- High efficiency, compact heat exchanger provides more efficiency for longer beer runs.

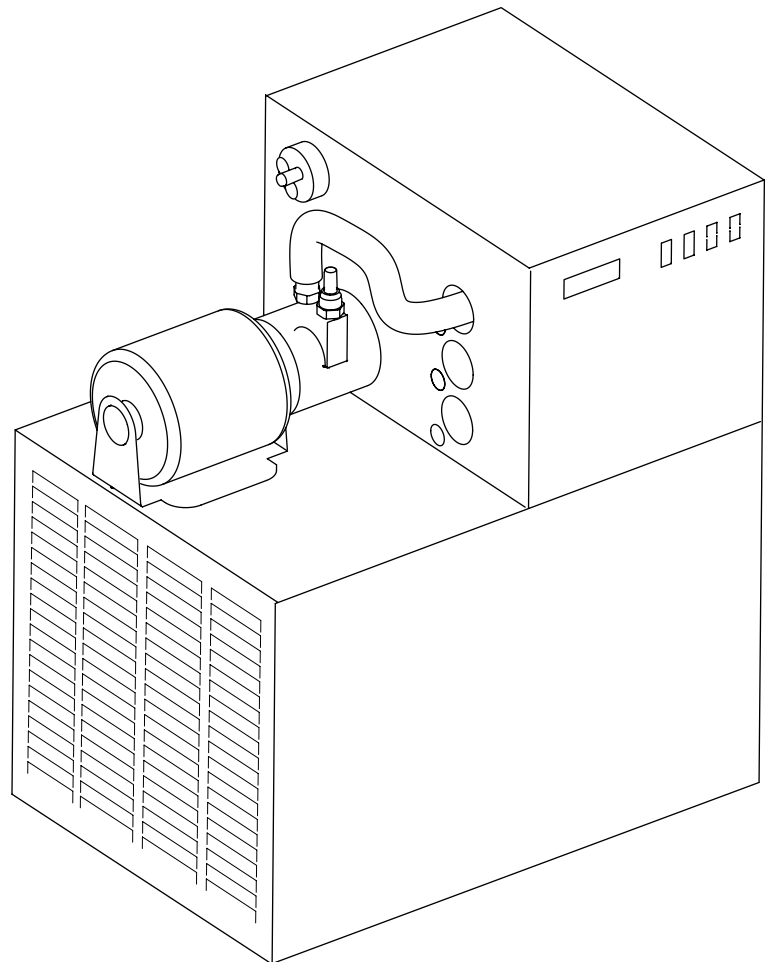
Horsepower	Length of run
1/3	150 feet
1/2	300 feet
3/4	500 feet
1 1/2	1,000 feet w/ multi-pumps (600ft. max in one direction)

Based on 75° degree ambient temperature

- Top mounted closed-coupled pump and 1/3 HP ball bearing motor assembly for easy service.
- Factory pre-mixed glycol guarantees performance.
- Optional leg kit for free standing off the floor installation.
- Optional multiple pump kits.

MODEL NOS.

- 4404 Series
- 4410 Series
- 4414 Series
- 4420 Series



8300 West Good Hope Road • Milwaukee, WI 53223 • Phone 414-353-7060 • Fax 414-353-7069
Toll Free 800-558-5592 • E-Mail: Perlick@Perlick.com • www.Perlick.com

Sizes and Specifications Century System Power Paks — Air-Cooled

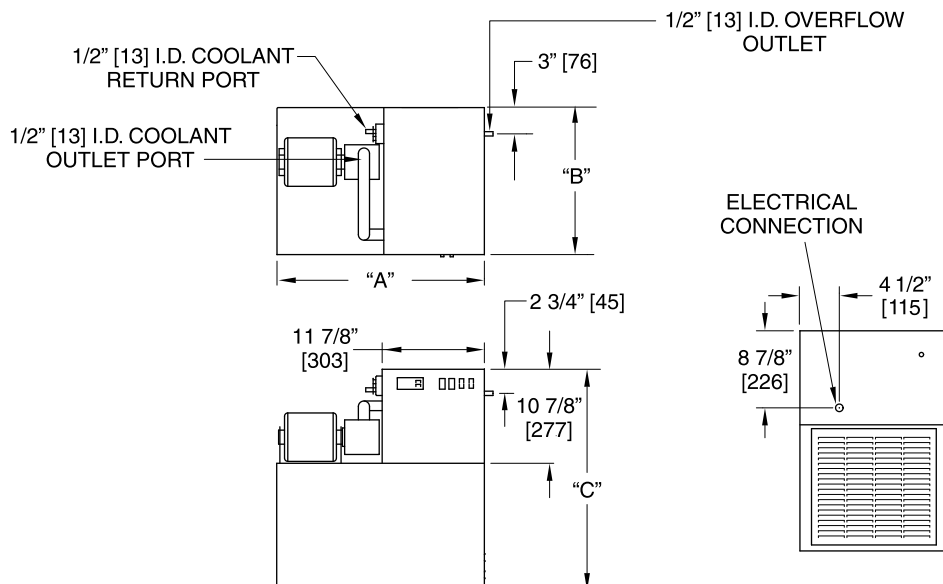
Job _____
 Area _____
 Item No. _____
 Model No. _____

MODEL NOS.		4404	4410	4414	4414-230	4420
DIMENSIONS: EXTERIOR (mm)	Length "A"	24 1/4" (616)	24 1/4" (616)	24 1/4" (616)	26 3/4" (679)	26 3/4" (679)
	Width "B"	17 1/4" (438)	17 1/4" (438)	17 1/4" (438)	20 1/4" (519)	20 1/4" (519)
	Height "C"	25 1/2" (648)	25 1/2" (648)	25 1/2" (648)	31" (782)	31" (782)
A minimum of six inches of clearance should be allowed around the entire unit for proper performance. Additional clearance should be considered for above the unit and in front of the unit for serviceability.						
ELECTRICAL	Voltage	120 V	120 V	120 V	208/230 V***	208/230 V***
	Freq.	60 Hz	60 Hz	60 Hz	60 Hz	60 Hz
	Phase	1Ø	1Ø	1Ø	1Ø	1Ø
SINGLE PUMP	RLA	10.5	12.5	15.4	8.9	16.5
	MCA	16.9	17.7	19.6	12.2	23.9
DUAL PUMPS	RLA	N/A	18.6	21.0	11.7	19.3
	MCA	N/A	23.8	25.2	15.0	26.7
TRIPLE PUMP	RLA	N/A	N/A	N/A	14.5	22.1
	MCA	N/A	N/A	N/A	17.8	29.5
COMPRESSOR:		1/3 HP	1/2 HP	3/4 HP	3/4 HP	1.5 HP
EVAPORATOR RATING @ 20°F (BTUH)		2550	3800	6000	6300	12000
HEAT REJECTION (MAX)		4080	6080	9600	10080	19200
REFRIGERANT		R-134a	R-134a	R-134a	R-134a	R-134a
SHIPPING WEIGHT LBS (kg)		140 (64)	153 (69)	180 (82)	205 (93)	255 (116)
MAXIMUM FOOTAGE IN SYSTEM (Based on 75 degree ambient)		150 ft.	300 ft.	500 ft.	500 ft.	600 ft. (1000xx)
CABINET		Stainless Steel				
CIRCULATING PUMP		100 GPH / 150 PSIG				
RESERVOIR CAPACITY		1.75 gal	1.75 gal	1.75 gal	1.75 gal	1.75 gal
REFRIGERATION:		Constant Pressure Expansion Valve, Condensing Unit with Service Valves				
REFRIGERANT CHARGE (grams)		9.0 oz/255 g	8.0 oz/227 g	9.5 oz/269 g	14.5 oz/410 g	16.0 oz/453 g
GLYCOL CONCENTRATION		33%	33%	33%	33%	33%
OPTIONAL ACCESSORIES	4430	115V pump kit for 4410 power paks (Field Installed)		57782	Set of four adjustable legs	
	4431	115V pump kit for 4414 power pak (Field Installed)		61790	Dual tier rack	
	4432	208/230V pump kit for 4414/230V and 4420 power paks (Field Installed)		61791+1	Triple tier rack	
				61792+2	Quad tier rack	
	4435	BLM receptacle		C22296A-20	Cord kit for 120V single pump power paks only	
	4408SS	Wall bracket for 4404 & 4410 only		C21499BSS	Stainless steel table stand	

*Note: Allow a minimum of six inches of clearance on the louvered ends of the cabinet for proper air flow. Allow accessibility room on top and front of cabinet for serviceability.

**Using two or three pump combinations. Above specifications are subject to change without prior approval.

***Requires four wires (2 hot, 1 neutral and 1 ground).



8300 West Good Hope Road • Milwaukee, WI 53223 • Phone 414-353-7060 • Fax 414-353-7069
 Toll Free 800-558-5592 • E-Mail: Perlick@Perlick.com • www.Perlick.com

Perlick is committed to continuous improvement. Therefore, we reserve the right to change specifications without prior notice. Form No. 121701 Rev. 10.16.07