



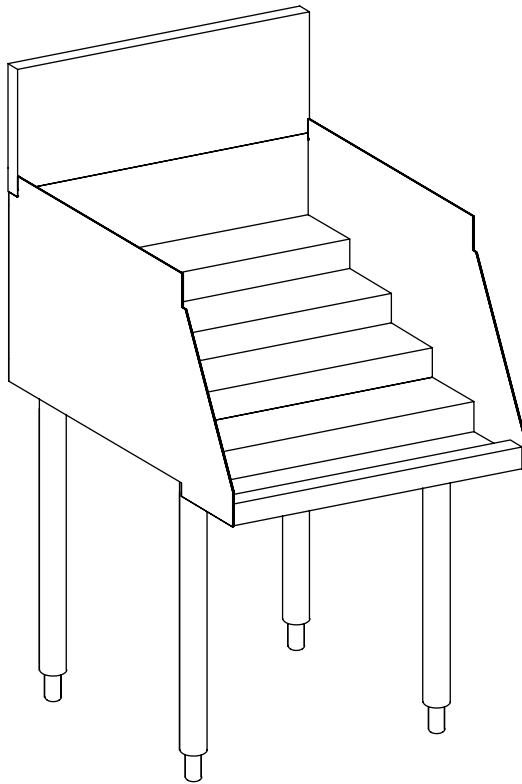
# STORAGE BINS FOR LIQUOR

## Perlick Features

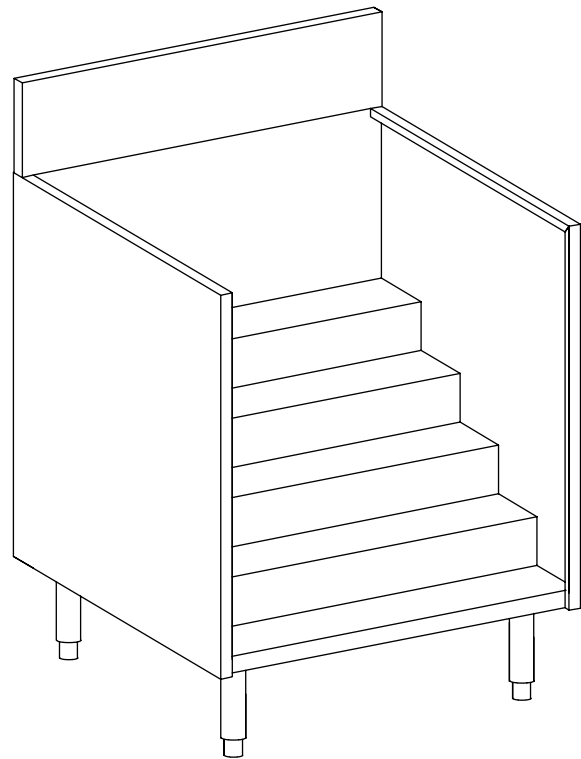
- Solid stainless steel steps without gaps.

## MODEL NOS.

- TS12LS
- TS18LS
- TS24LS
- 7055A3



TS18LS



7055A3



8300 West Good Hope Road • Milwaukee, WI 53223 • Phone 414-353-7060 • Fax 414-353-7069  
Toll Free 800-558-5592 • E-Mail: [Perlick@Perlick.com](mailto:Perlick@Perlick.com) • [www.Perlick.com](http://www.Perlick.com)

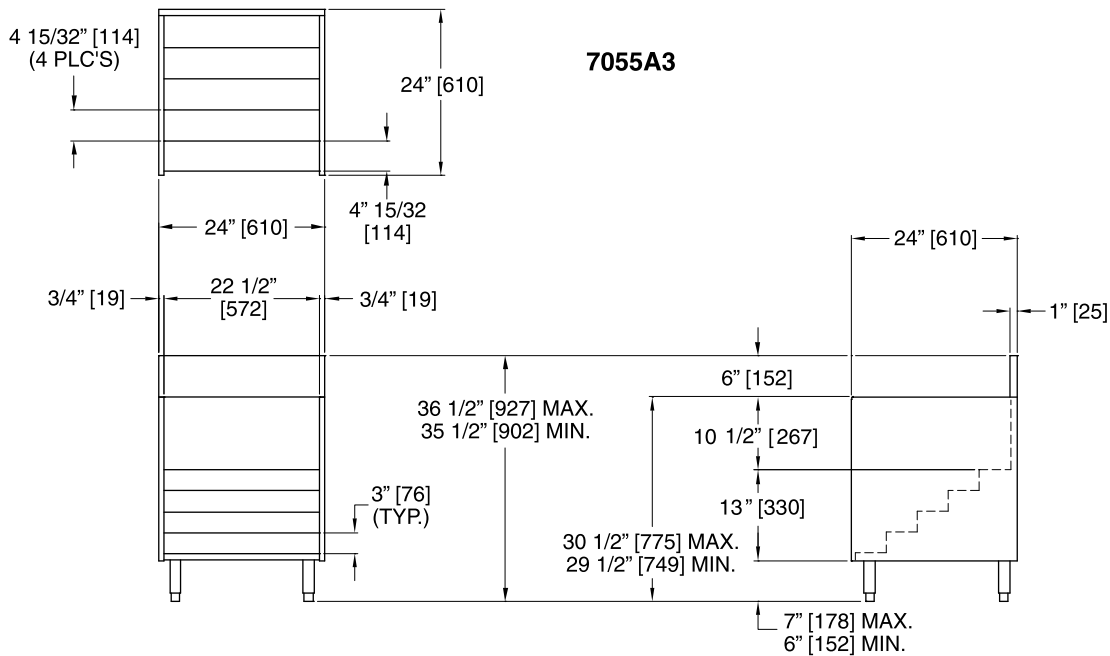
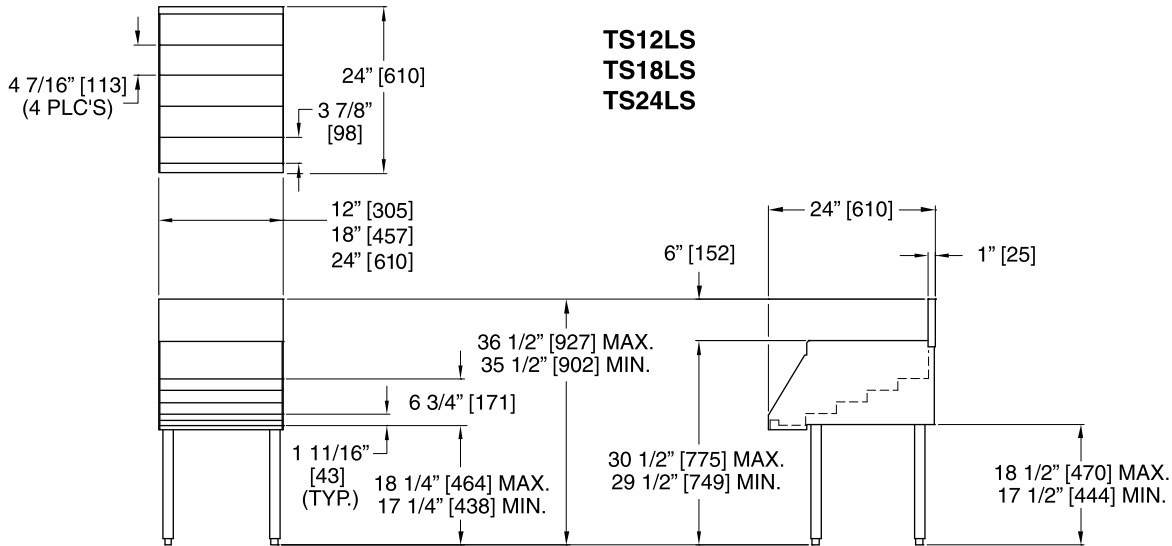
Form No. SB02  
Rev. 03.30.09



# Sizes and Specifications Storage Bins for Liquor

Job \_\_\_\_\_  
 Area \_\_\_\_\_  
 Item No. \_\_\_\_\_  
 Model No. \_\_\_\_\_

MODEL NOS.	TS12LS	TS18LS	TS24LS	7055A3
Length Ins. (mm)	12" (305)	18" (457)	24" (610)	24" (610)
Ship wt lbs. (kg)	30 (14)	35 (16)	40 (18)	40 (18)
general PARTS	Stainless steel.			
Backsplash	Stainless steel 6" high (4" high optional) with 1" return at top, mechanically fastened and sealed with steel support brackets.			
Legs	<b>Models TS12LS, TS18LS and TS24LS:</b> 1 <sup>5</sup> / <sub>8</sub> " tubular, stainless steel with 1" adjustable thermo-plastic foot. <b>Model 7055A3:</b> 1 <sup>5</sup> / <sub>8</sub> " tubular, stainless steel with 1" adjustable stainless steel foot.			



8300 West Good Hope Road • Milwaukee, WI 53223 • Phone 414-353-7060 • Fax 414-353-7069  
 Toll Free 800-558-5592 • E-Mail: Perlick@Perlick.com • www.Perlick.com

Perlick is committed to continuous improvement.  
 Therefore, we reserve the right to change specifications without prior notice.

Form No. SB02  
 Rev. 03.30.09

KaTom Restaurant Supply, Inc.