



# BAR DRAINERS

## Perlick Features

- All stainless steel construction.

## MODEL NOS.

TS Series

7055A8

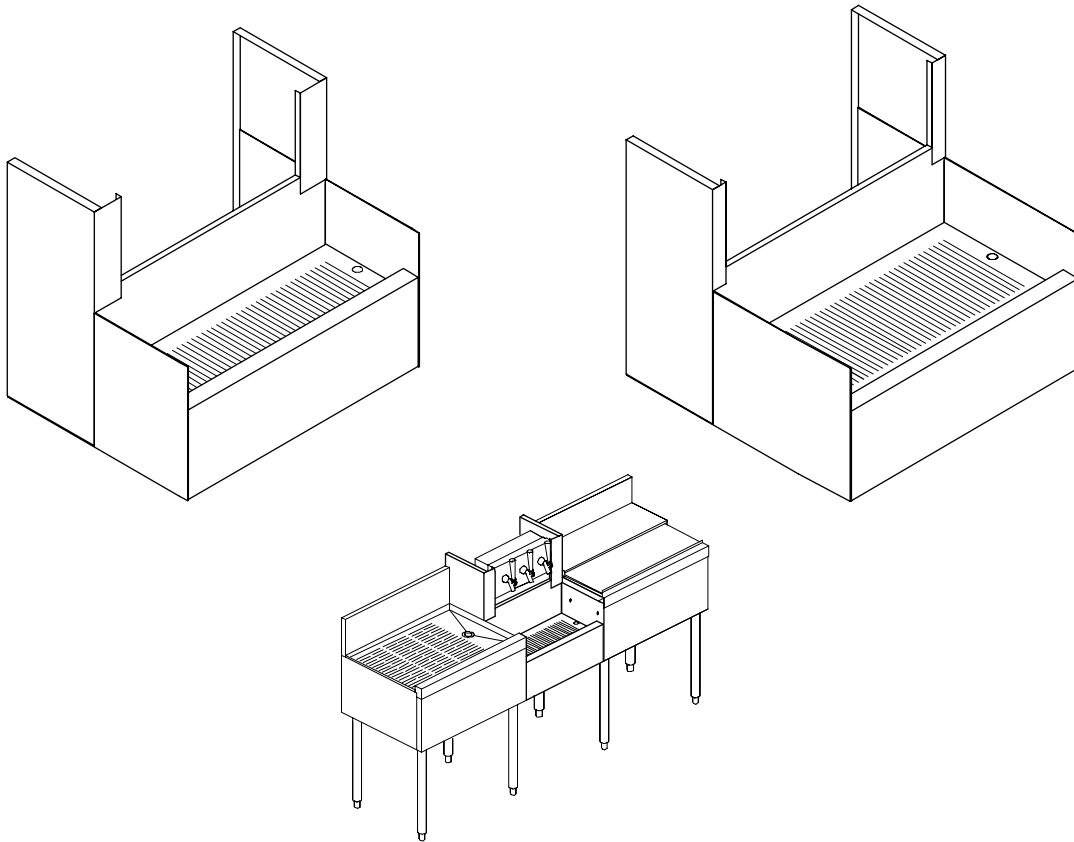
7055A9

## MODEL NOS.

TSD Series

7055D8

7055D9



8300 West Good Hope Road • Milwaukee, WI 53223 • Phone 414-353-7060 • Fax 414-353-7069  
Toll Free 800-558-5592 • E-Mail: [Perlick@Perlick.com](mailto:Perlick@Perlick.com) • [www.Perlick.com](http://www.Perlick.com)

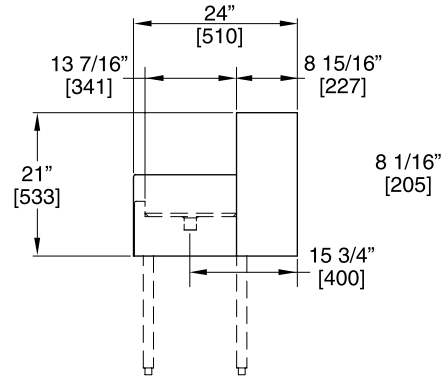
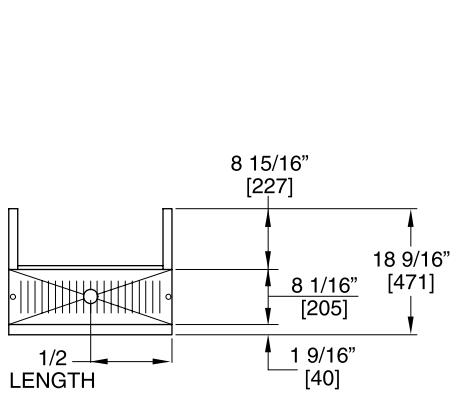
Form No. MM02  
Rev. 03.30.05



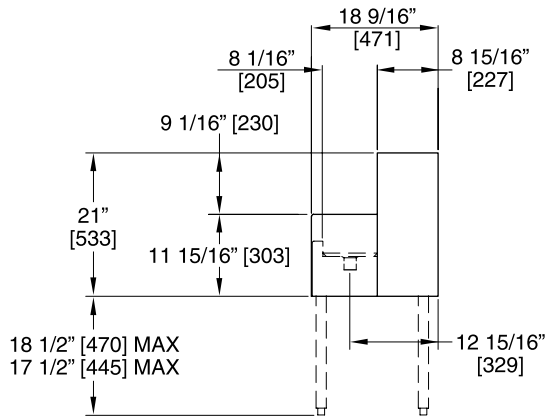
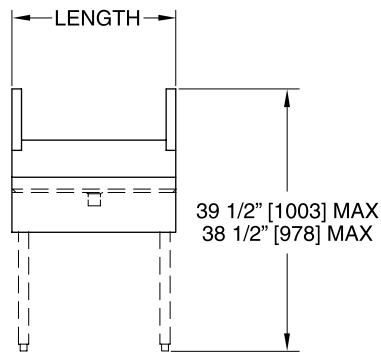
# Sizes and Specifications Bar Drainers

Job \_\_\_\_\_  
 Area \_\_\_\_\_  
 Item No. \_\_\_\_\_  
 Model No. \_\_\_\_\_

<b>MODEL NOS.</b>	<b>7055A(D)8</b>	<b>7055A(D)9</b>
LENGTH INS. (mm)	18" (457)	24" (610)
SHIP WT. lbs. (kg)	30 (14)	40 (18)
GENERAL PARTS	Stainless steel.	
LEGS (Optional)	1 5/8" tubular stainless steel with 1" adjustable thermoplastic foot.	
PLUMBING	Drain connection: 1 1/2" NPS male.	



**TSD END VIEW**



**TS END VIEW**



8300 West Good Hope Road • Milwaukee, WI 53223 • Phone 414-353-7060 • Fax 414-353-7069  
 Toll Free 800-558-5592 • E-Mail: Perlick@Perlick.com • www.Perlick.com

Perlick is committed to continuous improvement.  
 Therefore, we reserve the right to change specifications without prior notice.

Form No. MM02  
 Rev. 03.30.05

KaTom Restaurant Supply, Inc.