

# GLASS AND CHEMICAL STORAGE CABINETS

## CABINETS WITH RECESSED OR FLAT TOP



### MODELS

- 7057-2
- 7057-4



### Perlick Features

- Free-standing station can be used wherever efficient glass handling or chemical storage is needed.



GENERATIONS OF  
EXCELLENCE

Form No. SB07

**Perlick**<sup>®</sup>

8300 West Good Hope Road • Milwaukee, WI 53223 • Phone 414.353.7060 • Fax 414.353.7069  
Toll Free 800.558.5592 • E-Mail [perlick@perlick.com](mailto:perlick@perlick.com) • [www.perlick.com](http://www.perlick.com)

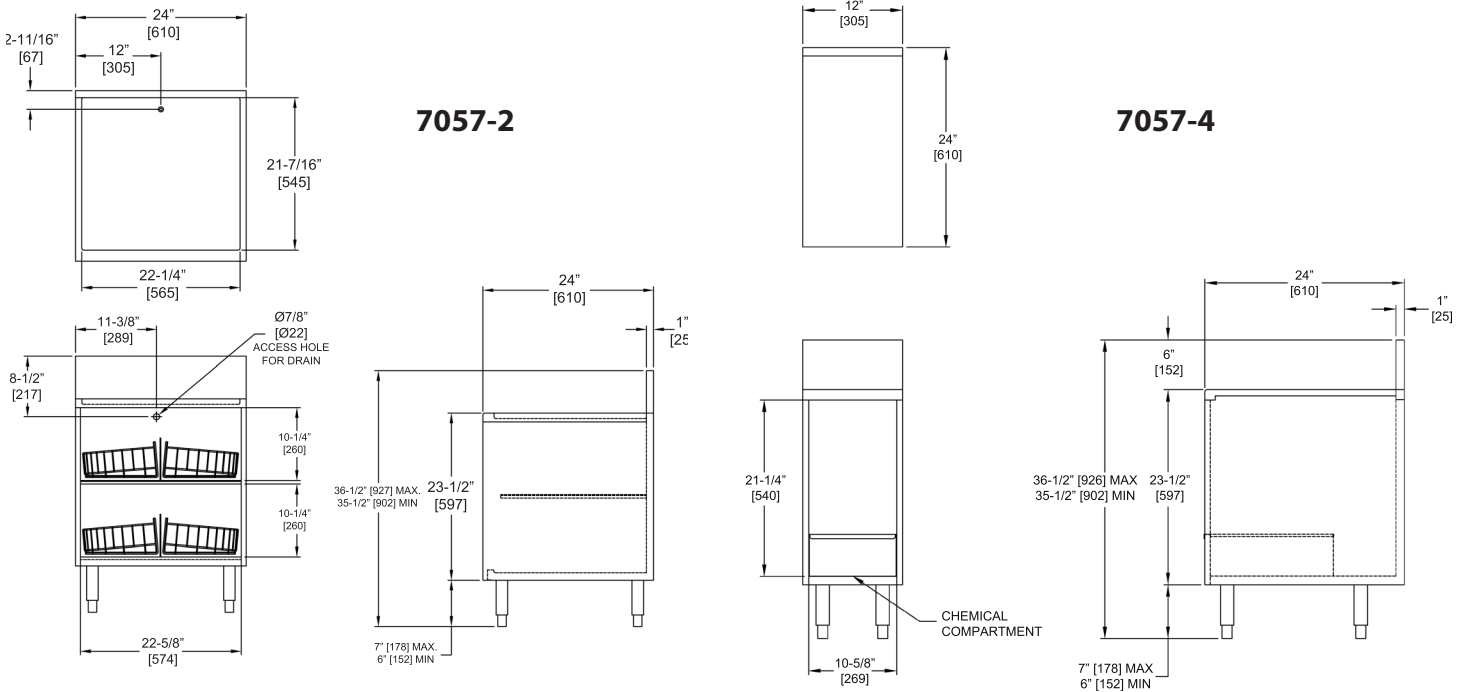
# Size and Specifications

Cabinets with Recessed or Flat top

Job \_\_\_\_\_  
 Area \_\_\_\_\_  
 Item No. \_\_\_\_\_  
 Model No. \_\_\_\_\_



MODEL NOS.	7057-2	7057-4
LENGTH IN. (mm)	24" (610)	12" (305)
DEPTH IN. (mm)	24" (610)	24" (610)
HEIGHT IN. (mm)	36-1/2" (926) max.–35-1/2" (901) min.	36-1/2" (926) max.–35-1/2" (901) min.
SHIP WT. lbs. (kg)	86 (40)	55 (25)
EXTERIOR	All exterior parts are made from stainless steel	
BACKSPLASH	Stainless steel 6" with 1" return at top, mechanically fastened and sealed with steel support brackets	
TOP	All horizontal and vertical edges 1/4" radius with balled corners. Underside reinforced with welded brackets.	
LEGS	1-5/8" tubular, stainless steel with 1" adjustable stainless steel foot	
PLUMBING	Recessed Top Panel: Drain fitting at rear for 1/2" I.D. flexible hose	N/A
CHEMICAL COMPARTMENT	N/A	Removable stainless steel chemical pan
OPTIONAL ACCESSORIES	Glass racks (Part No. 50470-2)	N/A



Form No. SB07



8300 West Good Hope Road • Milwaukee, WI 53223 • Phone 414.353.7060 • Fax 414.353.7069  
 Toll Free 800.558.5592 • E-Mail perlick@perlick.com • www.perlick.com

Perlick is committed to continuous improvement. Therefore, we reserve the right to change specifications without prior notice