



**DROP-IN ICE CREAM FREEZER**



JOB	
AREA	
ITEM NO.	
MODEL NO.	

<b>MODEL</b>
<b>DROP-IN SERIES</b>
8000A



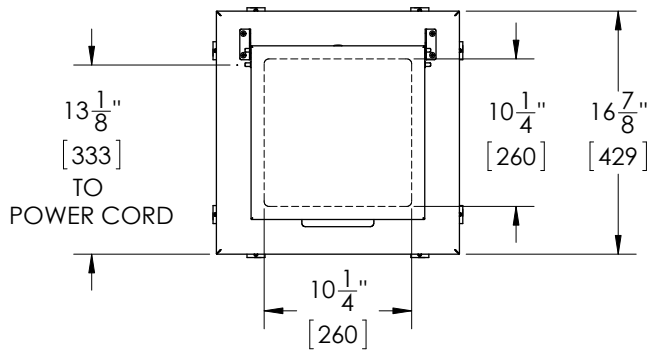
**Perlick Features**

- Mounts into countertop - required cut out dimension is 16" x 16"
- Fits in Perlick Ice Cream Center underbar module TS(D)24DC-A
- 20 gauge stainless steel top and removable hinged door lid
- 3 gallon capacity
- Includes 8" electrical cord
- Temperature range: - 20 ° to + 10 ° F
- Factory set to the optimal ice cream serving temperature of 0 ° F

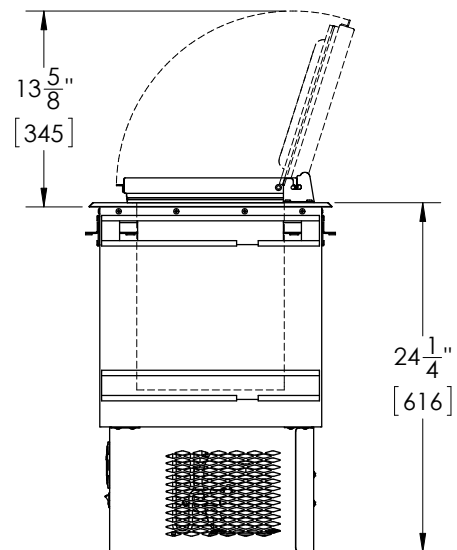
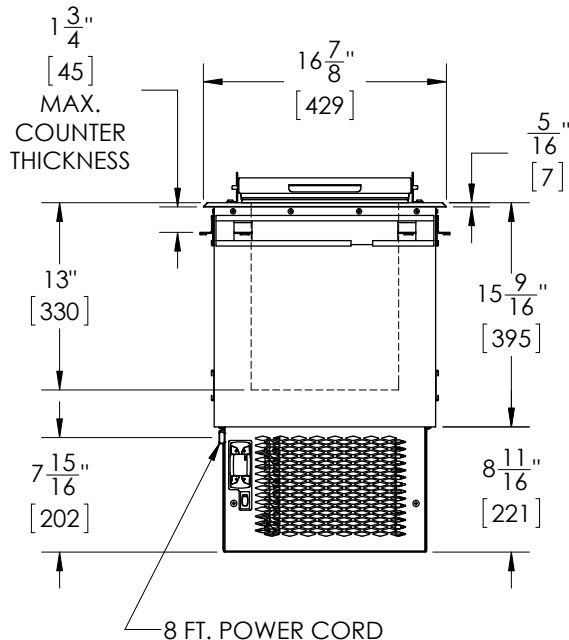


**DROP-IN ICE CREAM FREEZER**

<b>MODEL NOS.</b>	<b>8000A</b>
<b>CAPACITY</b>	3 Gallons
<b>HEIGHT in. [mm]</b>	26-3/8" [670]
<b>WIDTH in. [mm]</b>	16-7/8" [429]
<b>DEPTH in. [mm]</b>	16-7/8" [429]
<b>SHIP WEIGHT lbs. [kg]</b>	90 [41]
<b>COMPRESSOR H.P.</b>	1/5 h.p.
<b>AMPS</b>	0.8
<b>INTERIOR in. [mm]</b>	Well dimensions: 13" [330] H x 10-1/4" [260] W x 10-1/4" [260] D
<b>EXTERIOR in. [mm]</b>	20 gauge stainless steel top and removable hinged door lid
<b>ELECTRICAL</b>	115 volt, 60 hz, 1 phase AC. Furnished with eight foot rubber cord. Running load: 0.8 amps.
<b>REFRIGERANT &amp; CHARGE [g]</b>	R134a 5.25 oz. [149]



**REQUIRED CUT-OUT SIZE:  
16" X 16" [407 X 407]**



8 FT. POWER CORD