

# DROP-IN ICE CREAM UNIT

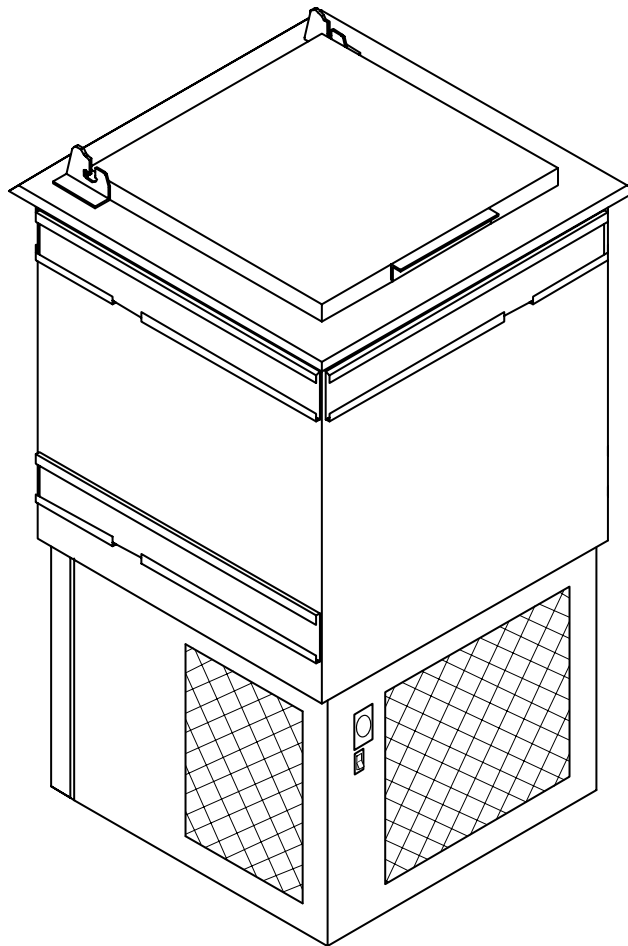
## Perlick Features

- Mounts into Countertop.
- Maintains proper ice cream temperature.

## MODEL NOS.

Drop-In Series

8000



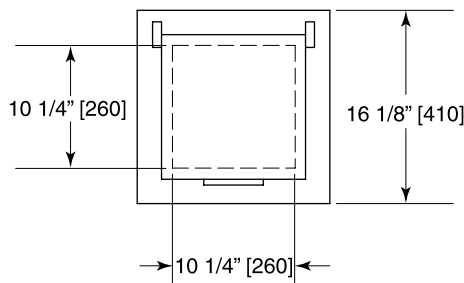
8300 West Good Hope Road • Milwaukee, WI 53223 • Phone 414-353-7060 • Fax 414-353-7069  
Toll Free 800-558-5592 • E-Mail: [Perlick@Perlick.com](mailto:Perlick@Perlick.com) • [www.Perlick.com](http://www.Perlick.com)

# Sizes and Specifications Drop-In Ice Cream Unit

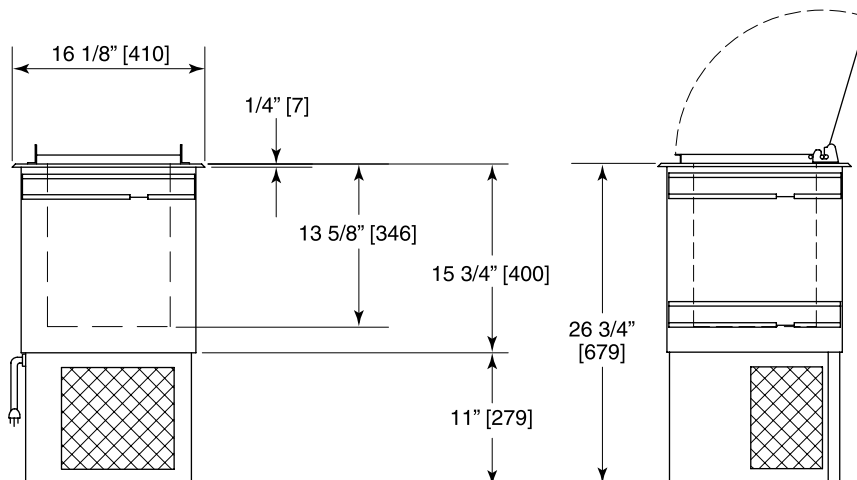
Job \_\_\_\_\_  
 Area \_\_\_\_\_  
 Item No. \_\_\_\_\_  
 Model No. \_\_\_\_\_



|                            |  |
|----------------------------|--|
| <b>MODEL NOS.</b>          | <b>8000</b>  |
| <b>CAPACITY</b>            | 3 Gallons  |
| <b>DIMENSIONS In. [mm]</b> |  |
| HEIGHT                     | 26 <sup>3</sup> / <sub>4</sub> " [680]   |
| WIDTH                      | 16 <sup>1</sup> / <sub>8</sub> " [410]   |
| DEPTH                      | 16 <sup>1</sup> / <sub>8</sub> " [410]   |
| SHIP WEIGHT lbs. (kg)      | 114 (52)   |
| COMPRESSOR H.P.            | 1/5 h.p.   |
| AMPS                       | 1.6  |
| INTERIOR                   | Well dimensions: 13 <sup>5</sup> / <sub>8</sub> " [346] H x 10 <sup>1</sup> / <sub>4</sub> " [260] W x 10 <sup>1</sup> / <sub>4</sub> " [260] D. |
| EXTERIOR                   | 20 gauge stainless steel top and removable hinged door lid.  |
| ELECTRICAL                 | 115 Volt, 60 Hz., 1 Phase AC. Furnished with three-prong, six foot rubber cord and on/off switch.  |
| REFRIGERANT AND CHARGE     | R134a 5.5 oz. (142).   |



**CUT-OUT REQUIRED**  
 15 1/4" x 15 1/4" [39 x 39]



8300 West Good Hope Road • Milwaukee, WI 53223 • Phone 414-353-7060 • Fax 414-353-7069  
 Toll Free 800-558-5592 • E-Mail: Perlick@Perlick.com • www.Perlick.com

Perlick is committed to continuous improvement. Therefore, we reserve the right to change specifications without prior notice.

Form No. DC02  
 Rev. 08.22.07