

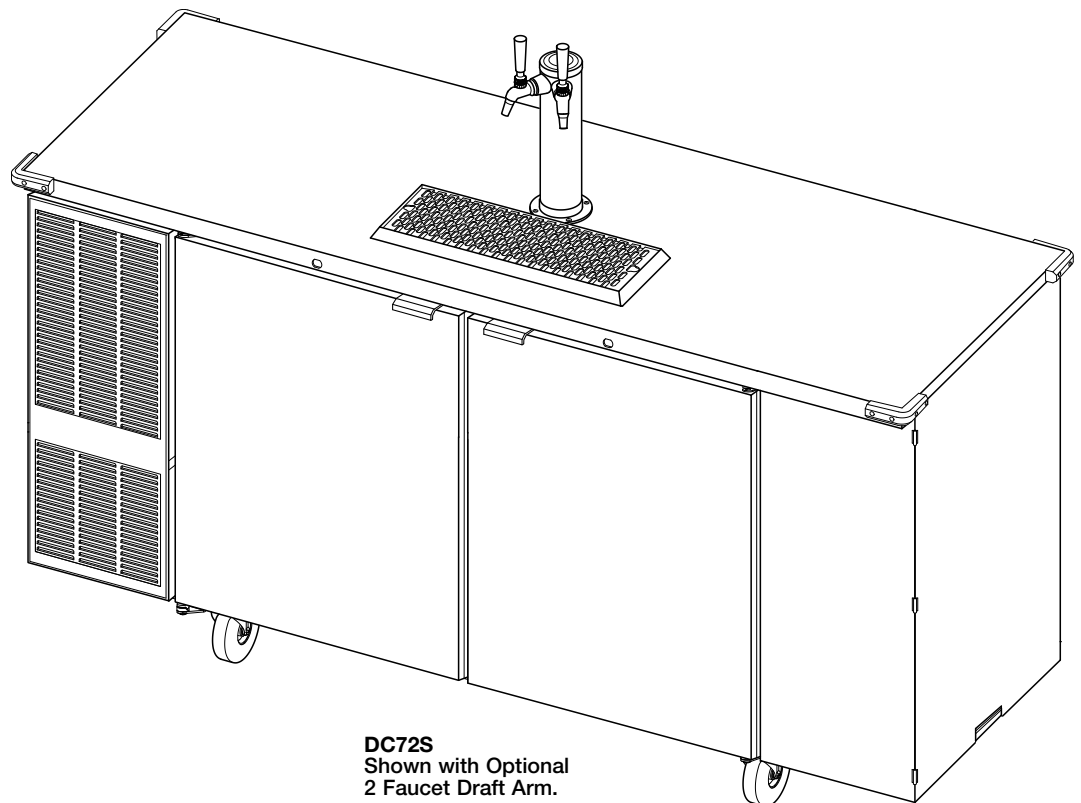
CONCESSIONAIRE DISPENSERS

Perlick Features

- Available in 2, 3 and 4 keg models.
- Front vented compressor.
- Two inch thick foamed-in-place insulation provides greater energy efficiency and structural strength.
- Self-closing field reversible doors with locks and heavy-duty stainless steel hinges open wide for easier keg access.
- Stainless steel exterior.
- High density polyethylene door sills reinforced to absorb keg impact without sagging.
- High-impact bumpers protect cabinet from damage.
- Heavy-duty 5" casters help cabinet roll smoothly.
- Epoxy coated evaporator coil.
- Side cabinet access panel conceals CO₂ drum and regulator as well as liquid waste tank.

MODEL NOS.

- DC72S
- DC84S
- DC96S



DC72S
Shown with Optional
2 Faucet Draft Arm.

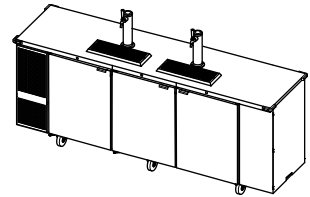
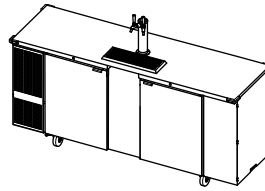
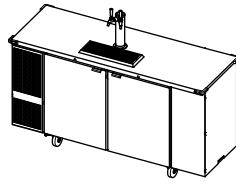


8300 West Good Hope Road • Milwaukee, WI 53223 • Phone 414-353-7060 • Fax 414-353-7069
Toll Free 800-558-5592 • E-Mail: Perlick@Perlick.com • www.Perlick.com

Form No. 090805
Rev. 06.14.10

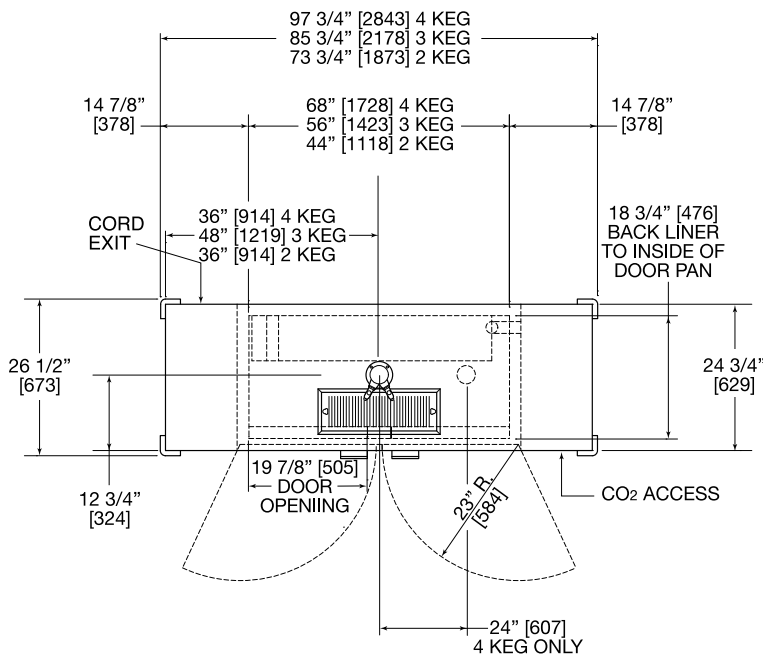
Sizes and Specifications Concessionaire Dispensers

Job _____
 Area _____
 Item No. _____
 Model No. _____

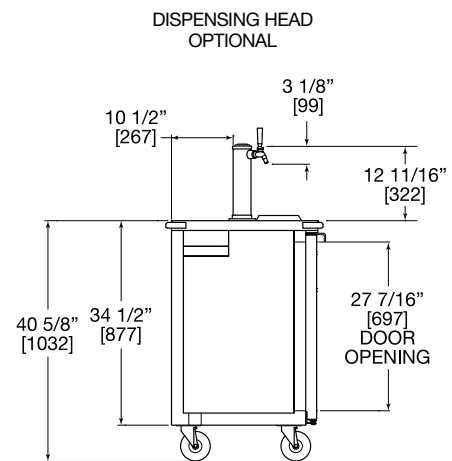


MODEL NOS.		DC72S	DC84S	DC96S
KEG CAPACITY		2 Keg	3 Keg	4 Keg
CABINET DIMENSIONS w/o BUMPERS	Length - Inches (mm)	72" (1829)	84" (2134)	96" (2438)
	Depth - Inches (mm)	24 ³ / ₄ " (629)	24 ³ / ₄ " (629)	24 ³ / ₄ " (629)
	Height - Inches (mm)	34 ¹ / ₂ " (876)	34 ¹ / ₂ " (876)	34 ¹ / ₂ " (876)
DISPENSING HEAD		Customer Choice		
CONDENSER UNIT H.P.		1/4	1/3	1/3
RUNNING LOAD - AMPS		5.9	7.5	7.5
SHIP WT Lbs. (kg)		445 (202)	505 (229)	545 (247)
INTERIOR	Door sill: High strength polyethylene. Door pan and ceiling: High strength polystyrene. Floor pan: Satinless steel. Walls: Galvanized steel.			
EXTERIOR	All Models: The top is stainless steel. The back, front and sides are stainless steel. Bottom is galvanized steel. Doors and grilles are stainless steel.			
REFRIGERATION	R-134a capillary tube-type. Aluminum fin and copper tube evaporator, epoxy coated coil. Forced air into dispensing head. Adjustable temperature control. Self-defrosting. Pull-out condensing unit for service and cleaning.			
VENTILATION	Front vented.			
ELECTRICAL	115 Volt, 60 Hz., 1 Phase AC. Furnished with three prong, six foot NEMA5-15P cord. Contact Perlick for other voltage/frequency requirements.			
PLUMBING	Evaporator condensate has been plumbed to a condensate pan located in the compressor housing.			
INSULATION	Foamed-in-place polyurethane; 2" walls, 1 ¹ / ₂ " top and floor.			
OPTIONAL ACCESSORIES	<ul style="list-style-type: none"> • Keg couplers • Faucet locks • Regulators • Optional hispensing Heads 			

NOTE: This equipment is intended for the storage and display of non-potentially-hazardous bottled or canned products only.



Top View



End View



8300 West Good Hope Road • Milwaukee, WI 53223 • Phone 414-353-7060 • Fax 414-353-7069
 Toll Free 800-558-5592 • E-Mail: Perlick@Perlick.com • www.Perlick.com

Perlick is committed to continuous improvement. Therefore, we reserve the right to change specifications without prior notice. Form No. 090805 Rev. 06.14.10