

# ARCTICOLD DRAFT DISPENSER

## Perlick Features

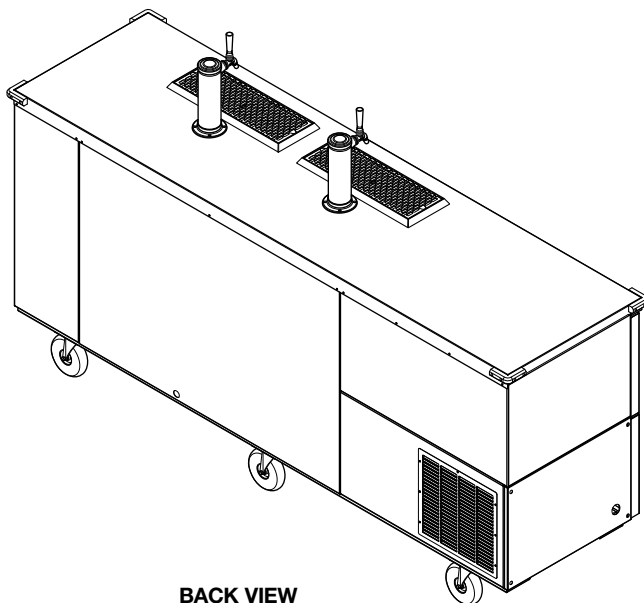
- Innovative flash chill technology pulls down 38°F beer by 5-7° even in a continuous pour situation.
- Internal cabinet temperature maintained at 32°F.
- 6" heavy-duty swivel casters with brakes allow for ease of movement and quick relocation.
- Side access panel conceals CO<sub>2</sub> tank and regulator as well as a liquid waste tank.
- Two-inch eco-friendly foamed insulation provides greater energy and structural strength.
- Heavy-duty front and back panel one-piece construction with two 14 gauge channel brackets span the entire length of the cabinet, built to withstand the toughest environment.
- High impact corner bumpers protect the cabinet from damage.
- Dry storage area provided.
- Access holes provided to accommodate additional kegs in series outside the cabinet.

## MODEL NOS.

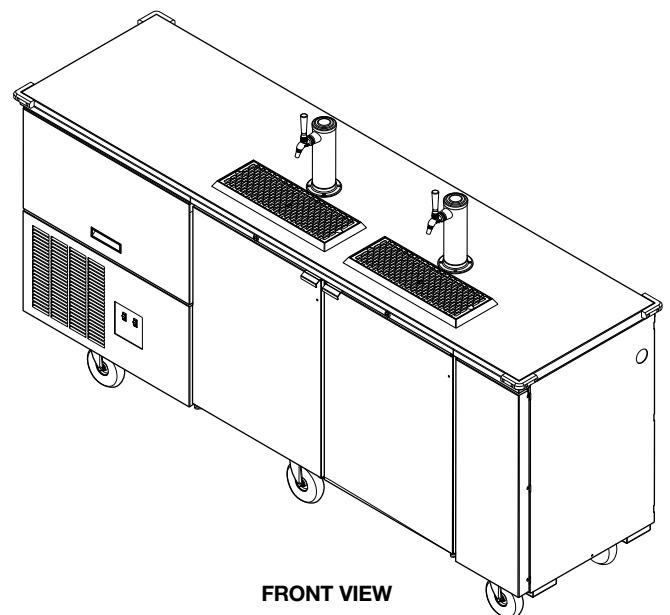
DC90ACLT



**5 Year**  
Compressor  
Warranty



BACK VIEW



FRONT VIEW

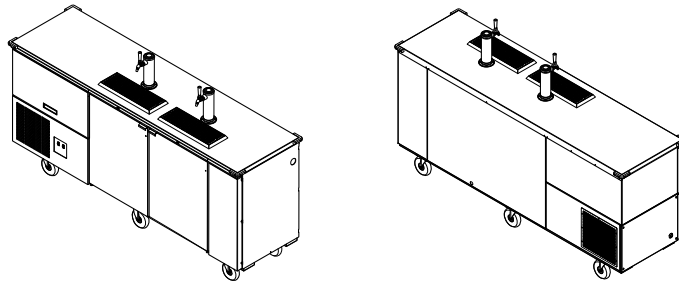


8300 West Good Hope Road • Milwaukee, WI 53223 • Phone 414-353-7060 • Fax 414-353-7069  
Toll Free 800-558-5592 • E-Mail: [Perlick@Perlick.com](mailto:Perlick@Perlick.com) • [www.Perlick.com](http://www.Perlick.com)

Form No. 050310  
Rev. 06.26.10

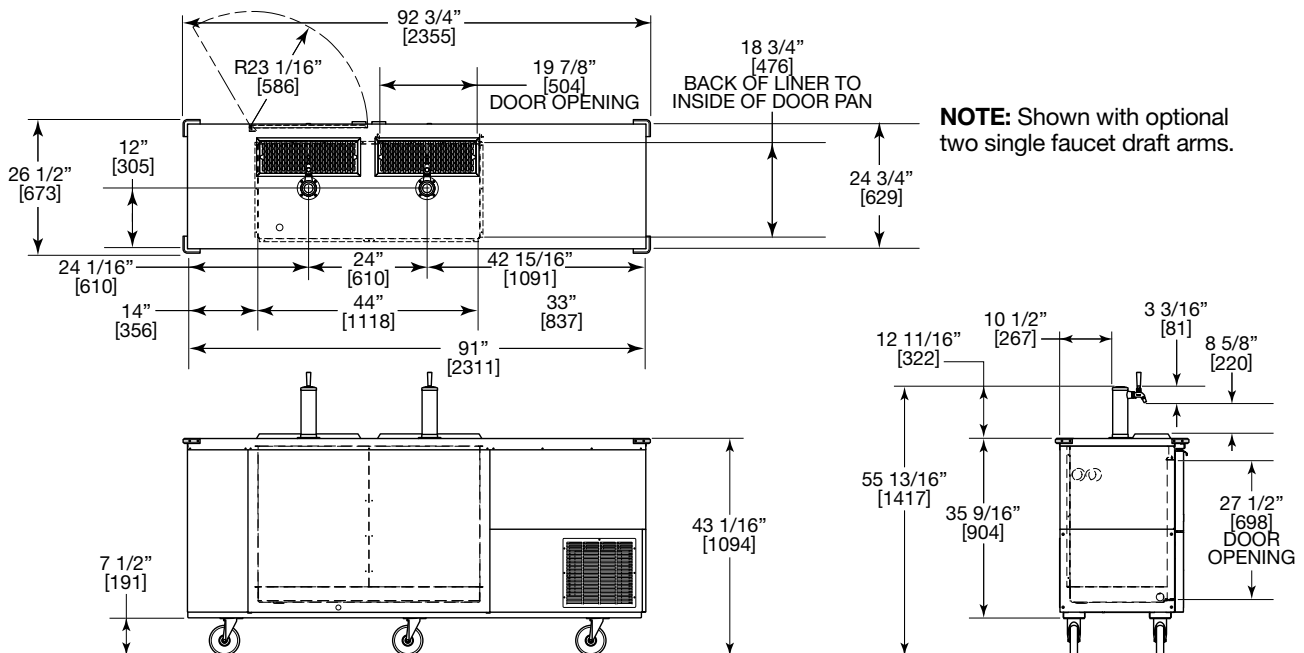
# Sizes and Specifications ArctiCold Draft Dispenser

Job \_\_\_\_\_  
 Area \_\_\_\_\_  
 Item No. \_\_\_\_\_  
 Model No. \_\_\_\_\_



<b>MODEL NOS.</b>		<b>DC90ACLT</b>
KEG CAPACITY		2 Keg
CABINET DIMENSIONS INCLUDING BUMPERS	Length Inches. (mm)	92 3/4" (2311)
	Depth Inches. (mm)	26 1/2" (673)
	Height Inches. (mm)	55 13/16" (1354)
CONDENSING UNIT H.P.		1/3 HP
SHIP WT lbs. (kg)		805 (366)
INTERIOR		<b>Door sill:</b> High strength polyethylene. <b>Door pan and ceiling:</b> High impact polystyrene. <b>Walls and Floor pan:</b> Stainless steel.
EXTERIOR		Stainless steel top and doors. Choice of stainless steel or galvanized back and sides. Bottom galvanized.
REFRIGERATION		R-134a expansion valve system. Epoxy coated aluminum fin and copper tube evaporator, coil. Digital temperature control. Self-defrosting.
GLYCOL MIXTURE		1/3 propylene glycol to 2/3 distilled water.
VENTILATION		All sides of unit must be unobstructed to ensure adequate ventilation.
PLUMBING		Evaporator condensate and beer waste is pre-plumbed to a waste tank located in the CO <sub>2</sub> compartment.
ELECTRICAL		Unit is furnished with 3-prong (NEMA) 5-15 plug, 9 foot long power cord that requires a dedicated 15 amp circuit of 115 volt, 60Hz, 1 phase AC electricity. <b>Disconnect power cord before servicing.</b>
INSULATION		Foamed-in-place environmentally friendly polyurethane; 2" walls, 1 1/2" top and floor.
OPTIONS & ACCESSORIES		Options: • Two single faucet dispensing heads or one dual faucet head. Accessories: • Keg couplers • Regulators • Faucet locks

\* This product is intended for the storage of non-potentially hazardous canned and bottled products only.



8300 West Good Hope Road • Milwaukee, WI 53223 • Phone 414-353-7060 • Fax 414-353-7069  
 Toll Free 800-558-5592 • E-Mail: Perlick@Perlick.com • www.Perlick.com

Perlick is committed to continuous improvement. Therefore, we reserve the right to change specifications without prior notice. Form No. 050310 Rev. 06.26.10