

15" ADA-COMPLIANT SINGLE DOOR CLEAR ICE MAKER

Perlick Features

- 32" height with leveling legs.
- Designed for maximum capacity while adhering to strict 34-inch counter height ADA-compliant requirements.
- Fully-integrated depth allows flush fit with surrounding cabinetry.
- Zero-clearance hinging allows for abutment with surrounding cabinetry.
- With 3/4-inch wood overlay* the unit will stand flush with cabinetry.
- Produces up to 55 pounds of ice per day and stores up to 27 pounds of ice.
- UL-approved for outdoor use.
- Quiet efficient operation.
- Optional drain pump.
- Elegant stainless steel door and polished handles.

* Wood overlay by others.

MODEL NOS.

- H50IM-ADL
- H50IM-ADR
- H50IM-AD



H50IM-ADR



8300 West Good Hope Road • Milwaukee, WI 53223 • Phone 414-353-7060 • Fax 414-353-7069
Toll Free 800-558-5592 • E-Mail: Perlick@Perlick.com • www.Perlick.com

Form No. 061810

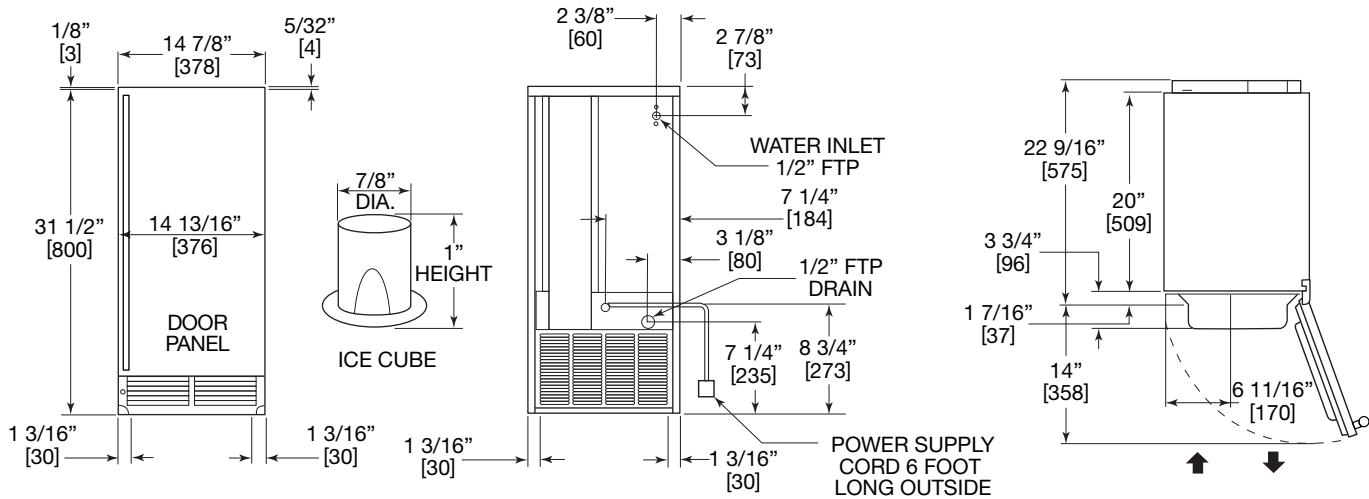
Sizes and Specifications - 15" ADA-Compliant Single Door Clear Ice Maker

Job _____
 Area _____
 Item No. _____
 Model No. _____



SERIES NO.		H50IM Series Ice Makers
CABINET DIMENSIONS	Length - Inches (mm)	147/8" (378)
	Depth - Inches (mm)	229/16" (575)
	Height - Inches (mm)	311/2" (800)
MODEL NOS.	DOOR STYLES	
H50IM-ADL	Stainless steel door, hinge left	
H50IM-ADR	Stainless steel door, hinge right	
H50IM-AD	Wood overlay* door, hinge left or right	
CAPACITY		27 lb. ice storage
TEMPERATURE RANGE		Ambient operating limits 45°F to 100°F — Water temperature range 45°F to 95°F
RUNNING LOAD - AMPS		15AMP Max. Fuse/HACR Breaker
SHIP WT Lbs. (kg)		55 (25)
INTERIOR	All stainless steel interior.	
EXTERIOR	Stainless steel top and sides. Galvanized back. See door finishes under door styles above.	
REFRIGERATION	R-134A hermetic closed system.	
ELECTRICAL	115V, 60Hz., 1 phase, furnished with 3-prong NEMA 5-15 plug, 6 foot long cord.	
PLUMBING	1/2" FPT drain, 1/2" FPT water inlet, 7 to 113 PSIG.	
WARRANTY	1 year parts & labor; 5 year compressor.	
OPTIONS	• Drain pump (Part #63802)	

* Wood overlay by others.



8300 West Good Hope Road • Milwaukee, WI 53223 • Phone 414-353-7060 • Fax 414-353-7069
 Toll Free 800-558-5592 • E-Mail: Perlick@Perlick.com • www.Perlick.com

Perlick is committed to continuous improvement. Therefore, we reserve the right to change specifications without prior notice. Form No. 061810