

24" ADA-COMPLIANT SINGLE DOOR WINE RESERVE

Perlick Features

- 32" height with leveling legs.
- Designed for maximum capacity while adhering to strict 34-inch counter height ADA-compliant requirements.
- Fully-integrated depth allows flush fit with surrounding cabinetry.
- Zero-clearance hinging allows for abutment with surrounding cabinetry.
- With 3/4-inch wood overlay* the unit will stand flush with cabinetry.
- Best in Class 700 Btu commercial-grade compressor.
- Front-vented RAPIDcool forced-air refrigeration system.
- Commercial-grade stainless steel interior.
- Industry-exclusive convertible door design allows all doors the ability to be converted to wood overlay* from stainless steel.
- Low E, UV coated glass provides industry leading insulation and protection.
- Available glass door with stainless trim, glass with wood trim door, solid stainless steel or solid wood overlay*.
- Four (4) wine shelves will store 32 bottles with extra storage under shelves for up to five(5) additional bottles.
- Shelving positions are adjustable to suit your needs.
- Wine racks feature stainless steel fronts.
- Wine Reserve temperature 40° to 60°F.

* Wood overlay by others.

MODEL NOS.

- HA24WB-1L
- HA24WB-1R
- HA24WB-2L
- HA24WB-2R
- HA24WB-3L
- HA24WB-3R
- HA24WB-4L
- HA24WB-4R



HA24WB-1L



HA24WB-3L



8300 West Good Hope Road • Milwaukee, WI 53223 • Phone 414-353-7060 • Fax 414-353-7069
Toll Free 800-558-5592 • E-Mail: Perlick@Perlick.com • www.Perlick.com

Form No. 062810

Sizes and Specifications

24" ADA-Compliant Single Door Wine Reserve

Job _____
 Area _____
 Item No. _____
 Model No. _____



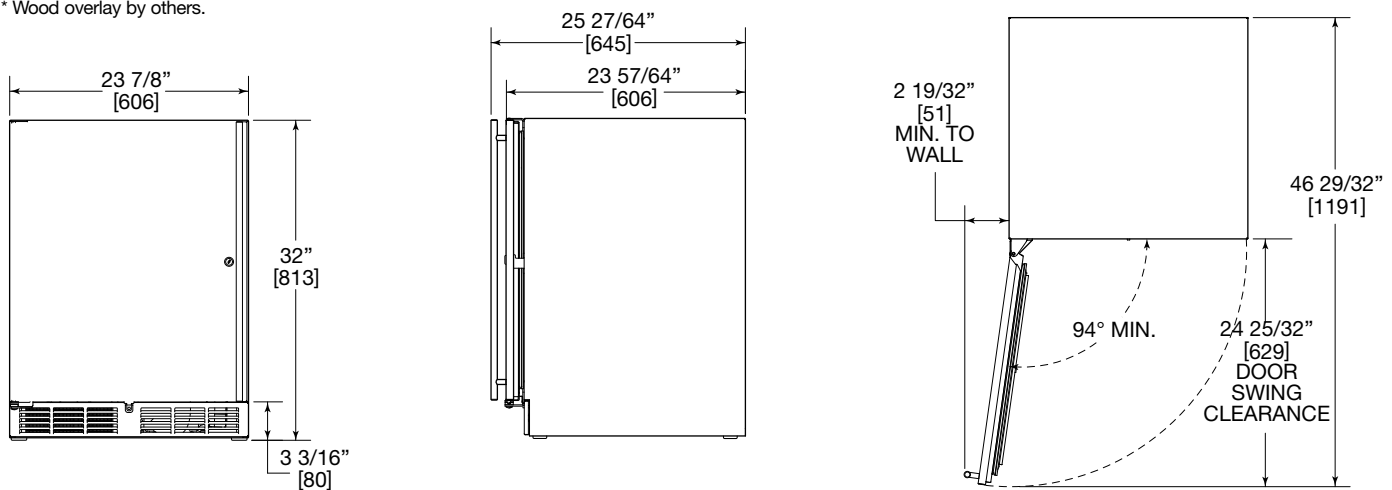
HA24WB-1L



HA24WB-3L

SERIES NOS.		HA24WB SERIES WINE RESERVE
CABINET DIMENSIONS	Length - Inches (mm)	23 ⁷ / ₈ " (607)
	Depth - Inches (mm)	23 ¹⁵ / ₁₆ " (609)
	Height - Inches (mm)	32" (812)
MODEL NOS.	DOOR STYLES	
HA24WB-1L	Stainless steel door, hinge left	
HA24WB-1R	Stainless steel door, hinge right	
HA24WB-2L	Integrated solid wood overlay* door, hinge left	
HA24WB-2R	Integrated solid wood overlay* door, hinge right	
HA24WB-3L	Stainless steel glass door, hinge left	
HA24WB-3R	Stainless steel glass door, hinge right	
HA24WB-4L	Integrated solid wood overlay* glass door, hinge left	
HA24WB-4R	Integrated solid wood overlay* glass door, hinge right	
INTERIOR VOLUME - CUBIC FOOT (m ³)		4.3 (12)
SHELVING		4 Wine Shelves
TEMPERATURE RANGE		40°F to 60°F (4.4C to 15.5C)
RUNNING LOAD - AMPS		2.3
CONDENSER UNIT H.P.		1/6 HP
SHIP WT Lbs. (kg)		205 (93)
INTERIOR	All stainless steel interior.	
EXTERIOR	Black vinyl clad top and sides. Galvanized back. See door finishes under door styles above.	
REFRIGERATION	R-134a capillary tube-type with hermetic compressor. Front access condenser.	
ELECTRICAL	115V, 60Hz., 1 phase, furnished with 3-prong NEMA 5-15 plug, 6 foot long cord.	
PLUMBING	None required. Moisture drains to self evaporating condensate pan.	
OPTIONAL ACCESSORIES	• Door lock • Adjustable leg kits • Caster kit	
WARRANTY	1 year parts & labor; 5 year compressor.	

* Wood overlay by others.



8300 West Good Hope Road • Milwaukee, WI 53223 • Phone 414-353-7060 • Fax 414-353-7069
 Toll Free 800-558-5592 • E-Mail: Perlick@Perlick.com • www.Perlick.com

Perlick is committed to continuous improvement. Therefore, we reserve the right to change specifications without prior notice. Form No. 062810