

**Perlick®** **18" SHALLOW-DEPTH SERIES**  
**SINGLE DOOR REFRIGERATOR/WINE RESERVE**



**HD24RS**  
 Shown with Solid Stainless Steel Door (S)



**HD24RS**  
 Shown with Glass with Stainless Steel Frame Door (S)



**HD24WS**  
 Shown with Glass with Stainless Steel Frame Door (S)

| MODELS |        |
|--------|--------|
|        | HD24RS |
|        | HD24WS |

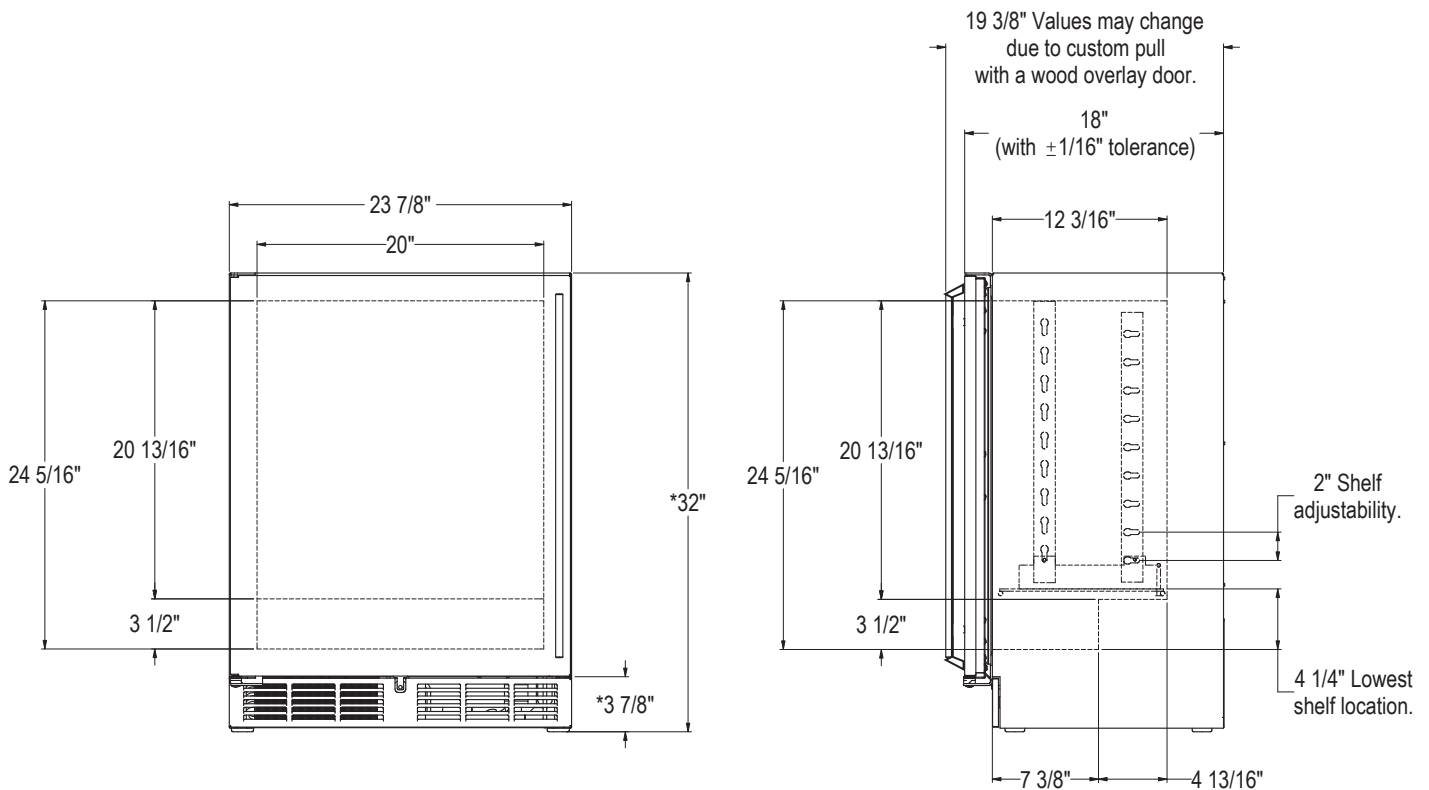
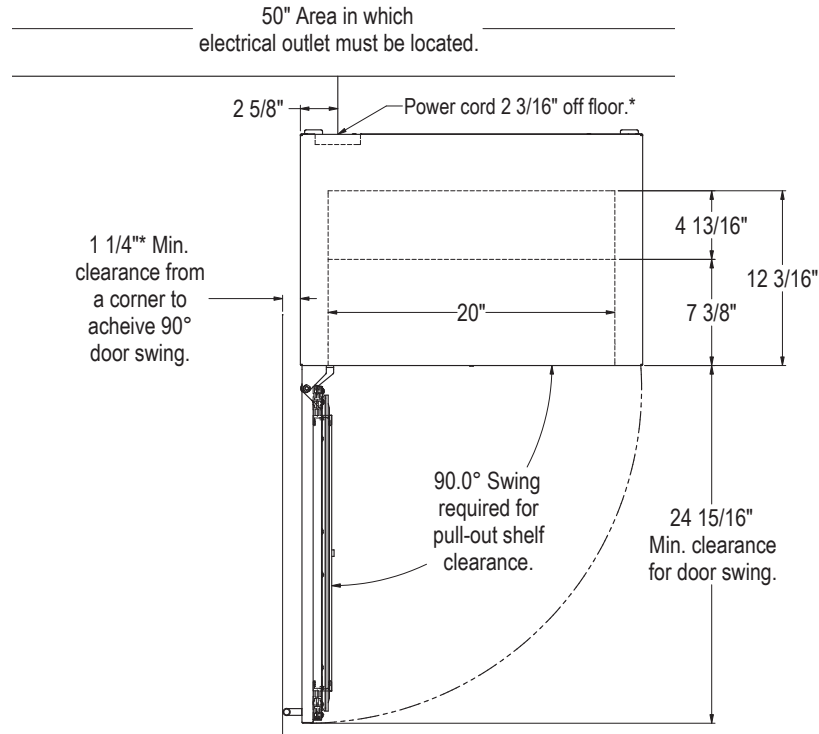


| MODEL NO.                   | HD24RS  | HD24WS  |               |
|-----------------------------|---|---|---------------|
| CABINET DIMENSIONS          | Length Ins. (mm)  | 23-7/8" (606)   | 23-7/8" (606) |
|                             | Depth Ins. (mm)   | 18" (457)   | 18" (457)     |
|                             | Height Ins. (mm)  | 32" (813)   | 32" (813)     |
| SHIP WEIGHT LBS. (KG)       | 185 (83)  | 185 (83)  |               |
| CAPACITY CU. FT. (L.)       | 3.1 (88)  | 3.1 (88)  |               |
| SHELVING                    | 2 black vinyl-coated full-extension shelves (adjustable)  | 4 black vinyl-coated full-extension wine shelves (adjustable). Each wine shelf holds 5 (750 ml) wine bottles. |               |
| CABINET CONSTRUCTION (INT.) | Interior Stainless Steel  |   |               |
| CABINET CONSTRUCTION (EXT.) | Exterior Sides, Exterior Top Stainless Steel Exterior Back Galvanized Door Exterior Customer Choice (see below under 'Customer Options')  |   |               |
| CABINET INSULATION          | Polyurethane-Ecomate. Wall Thickness-2" Door, Drawer Thickness-2" (solid stainless steel only)  |   |               |
| DOORS, HINGING & HARDWARE   | Number of Doors 1 Opening Style Hinged (Left or Right) Door Style Solid or Glass Door Swing Clearance 25" (635) Locks Available (factory installed)   |   |               |
| CONDENSING UNIT             | H.P. 1/6 Condenser Access Front   |   |               |
| REFRIGERATION               | Refrigerant R134a Expansion Device Capillary Tube Type w/ Hermetic Compressor   |   |               |
| PLUMBING                    | None required. Moisture drains to self evaporating condensate pan   |   |               |
| ELECTRICAL                  | Electrical Supply 115V/60 Hz/1 Phase Running Load Amps 2.3 Cord Connection Cord Connected (3-prong 6' NEMA 5-15P) Thermostat Electro-Mechanical Lighting Type Incandescent  |   |               |
| TEMPERATURE SETTINGS F°(C°) | Factory Temp. Setting-Refrigerator 38°(3.3°)<br>Temp. Range-Refrigerator 30°- 42°(-1.1°- 5.5°)  | Factory Temp. Setting-Refrigerator 55°(12.8°)<br>Temp. Range-Refrigerator 40°- 68°(4.4°- 20°)                 |               |
| CUSTOMER OPTIONS            | Door Finishes Black Vinyl Clad (B), Laminated (L), Field Laminated (F), Stainless (S), Laminated over Black (X), Laminated over Stainless Steel (U), Glass w/Black Frame (G), Glass w/Stainless Steel Frame (T), Glass w/Laminate (over black frame)(A), Glass w/Laminate (over stainless steel frame)(W) Handle Options 24" full length stainless steel, Classic 6" chrome w/black vinyl grip, tab handle (top mount, stainless steel) Lock Options Chrome or Polished Brass |   |               |
| ADDITIONAL ACCESSORIES      | Door Locks (Castors and Legs: Not Applicable)   |   |               |

**NOTE:** This equipment is intended for the storage and display of non-potentially hazardous bottled or canned products only!



**18" SHALLOW-DEPTH SERIES  
SINGLE DOOR REFRIGERATOR/WINE RESERVE**



**California Prop 65 Notice:**



**WARNING:** The materials used in this product may contain chemicals known to the State of California to cause cancer and birth defects or other reproductive harm, For more information go to [www.P65Warnings.ca.gov](http://www.P65Warnings.ca.gov).

Form No. Z2366  
Rev. 08.30.2018