



INSULATED STORAGE CHESTS

Perlick Features

- Available in 6" or 12" wide unit.
- Quality construction, smooth inner liner with no exposed joints or seams.
- Keeps bottles and/or condiments chilled.
- Stainless steel legs install without tools and have "Rust Free" Thermoplastic feet.

MODEL NOS.

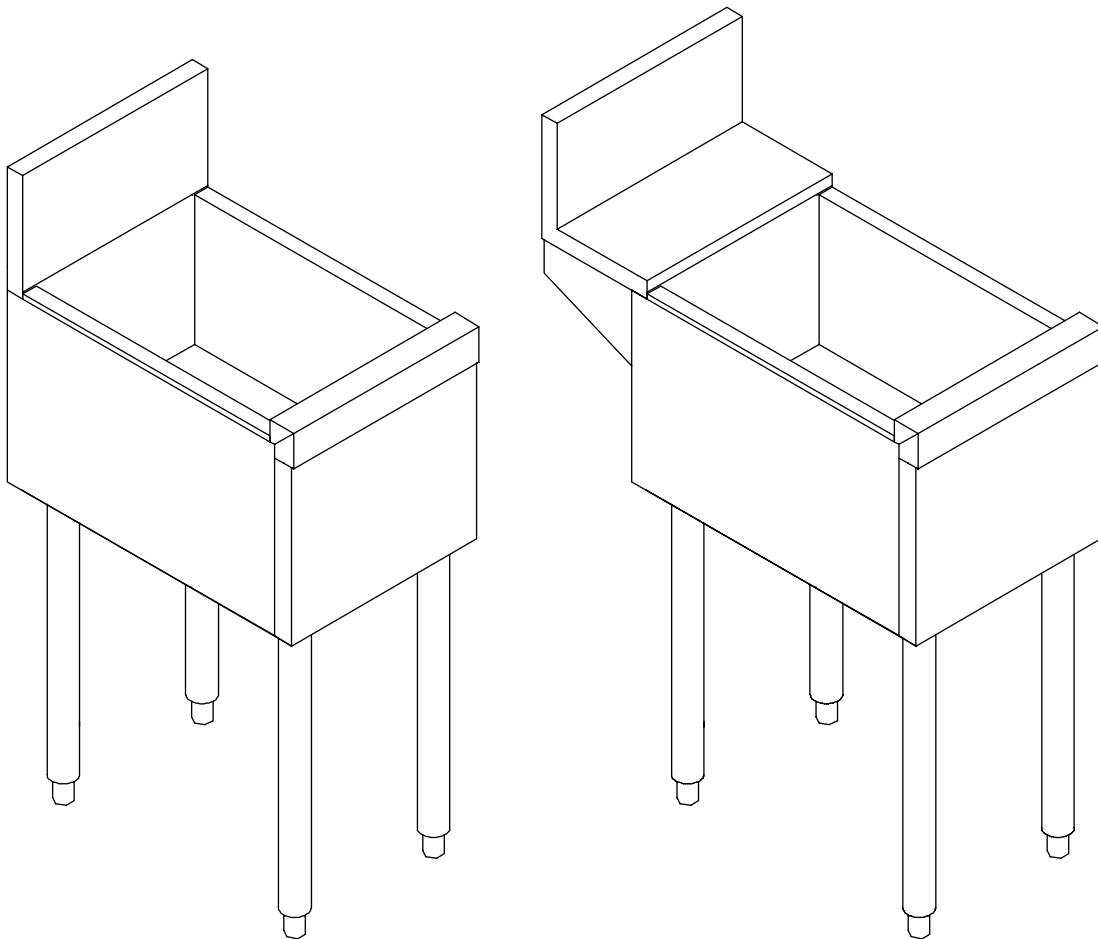
TS Series

- TS6U
- TS6U2
- TS12U
- TS12U2
- TS12U3

MODEL NOS.

TSD Series

- TSD6U
- TSD6U2
- TSD12U
- TSD12U2
- TSD12U3



8300 West Good Hope Road • Milwaukee, WI 53223 • Phone 414-353-7060 • Fax 414-353-7069
Toll Free 800-558-5592 • E-Mail: Perlick@Perlick.com • www.Perlick.com

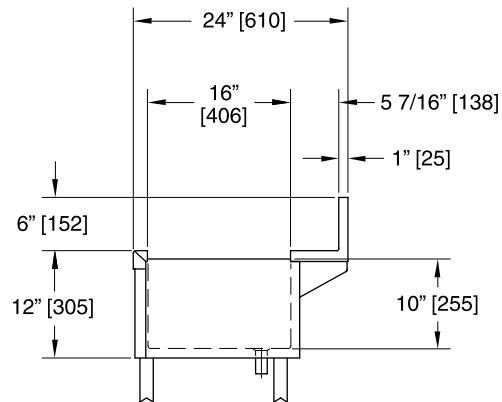
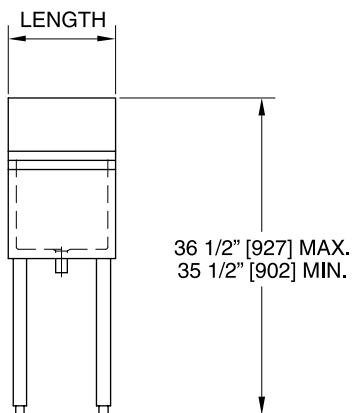
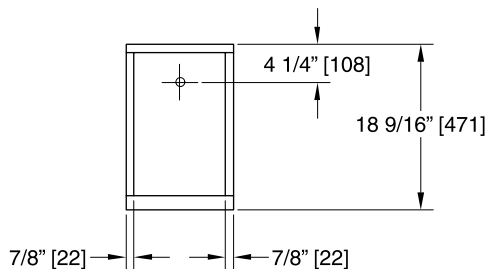
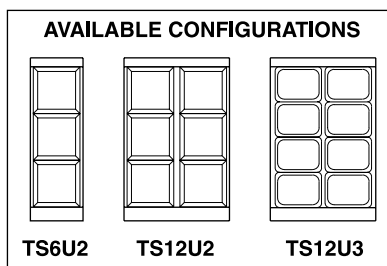
Form No. IS0
Rev. 03.30.05



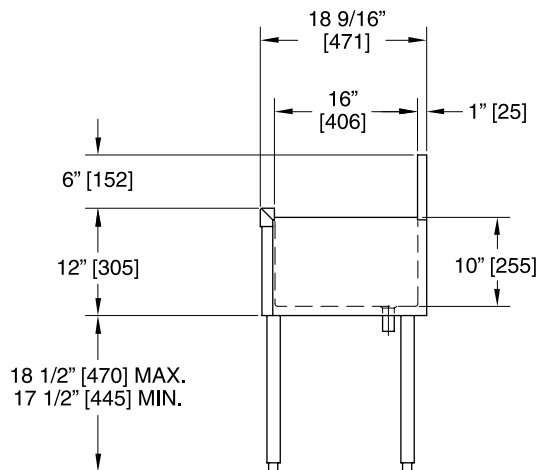
Sizes and Specifications Insulated Storage Chests

Job _____
 Area _____
 Item No. _____
 Model No. _____

MODEL NOS.	TS(D)6U	TS(D)6U2	TS(D)12U	TS(D)12U2	TS(D)12U3
DESCRIPTION	6" Chest	6" Chest w/3 bottle wells	12" Chest	12" Chest w/6 bottle wells	12" Chest w/8 condiment cups
LENGTH INS. (mm)	6" (152)	6" (152)	12" (305)	12" (305)	12" (305)
SHIP WT lbs. (kg)	30 (14)	32 (15)	36 (16)	38 (17)	38 (17)
GENERAL	Top, front, bottom and sides are stainless steel.				
BACK	Galvanized steel.				
INTERIOR	Stainless steel with 1/4" radius corners, welded and sealed.				
BACKSPLASH	TS Series: Stainless steel, 6" high (4" high optional) with 1" return at top, mechanically fastened and sealed with steel support brackets. TSD Series: Stainless steel rear deck.				
LEGS	Not provided. Requires adjacent support.		1 5/8" tubular, stainless steel with 1" adjustable thermoplastic feet.		
INSULATION	Fiberglass		Foamed-in-place polyurethane.		
BOTTLE WELLS	N/A	Black high-impact polypropylene	N/A	Black high-impact polypropylene	N/A
PLUMBING	Drain connection: 1/2" NPS.				
ACCESSORIES	N/A		8 Bottle, wire rack divider, part No. 59543-1	N/A	N/A



TSD END VIEW



TS END VIEW



8300 West Good Hope Road • Milwaukee, WI 53223 • Phone 414-353-7060 • Fax 414-353-7069
 Toll Free 800-558-5592 • E-Mail: Perlick@Perlick.com • www.Perlick.com

Perlick is committed to continuous improvement.
 Therefore, we reserve the right to change specifications without prior notice.

Form No. ISO
 Rev. 03.30.05