



DRAINBOARDS

Perlick Features

- Embossed stainless steel drainboard.
- Screw-in legs for fast installation.
- Stainless steel legs install without tools and have "Rust Free" Thermoplastic feet.

MODEL NOS.

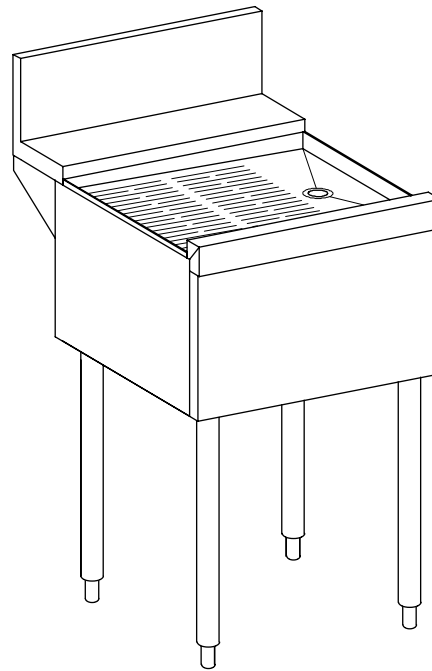
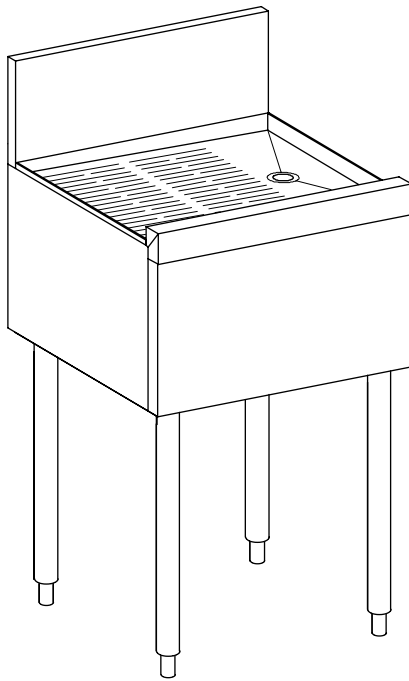
TS Series

- TS12
- TS18
- TS24
- TS30
- TS36
- TS42
- TS48

MODEL NOS.

TSD Series

- TSD12
- TSD18
- TSD24
- TSD30
- TSD36
- TSD42
- TSD48



8300 West Good Hope Road • Milwaukee, WI 53223 • Phone 414-353-7060 • Fax 414-353-7069
Toll Free 800-558-5592 • E-Mail: Perlick@Perlick.com • www.Perlick.com

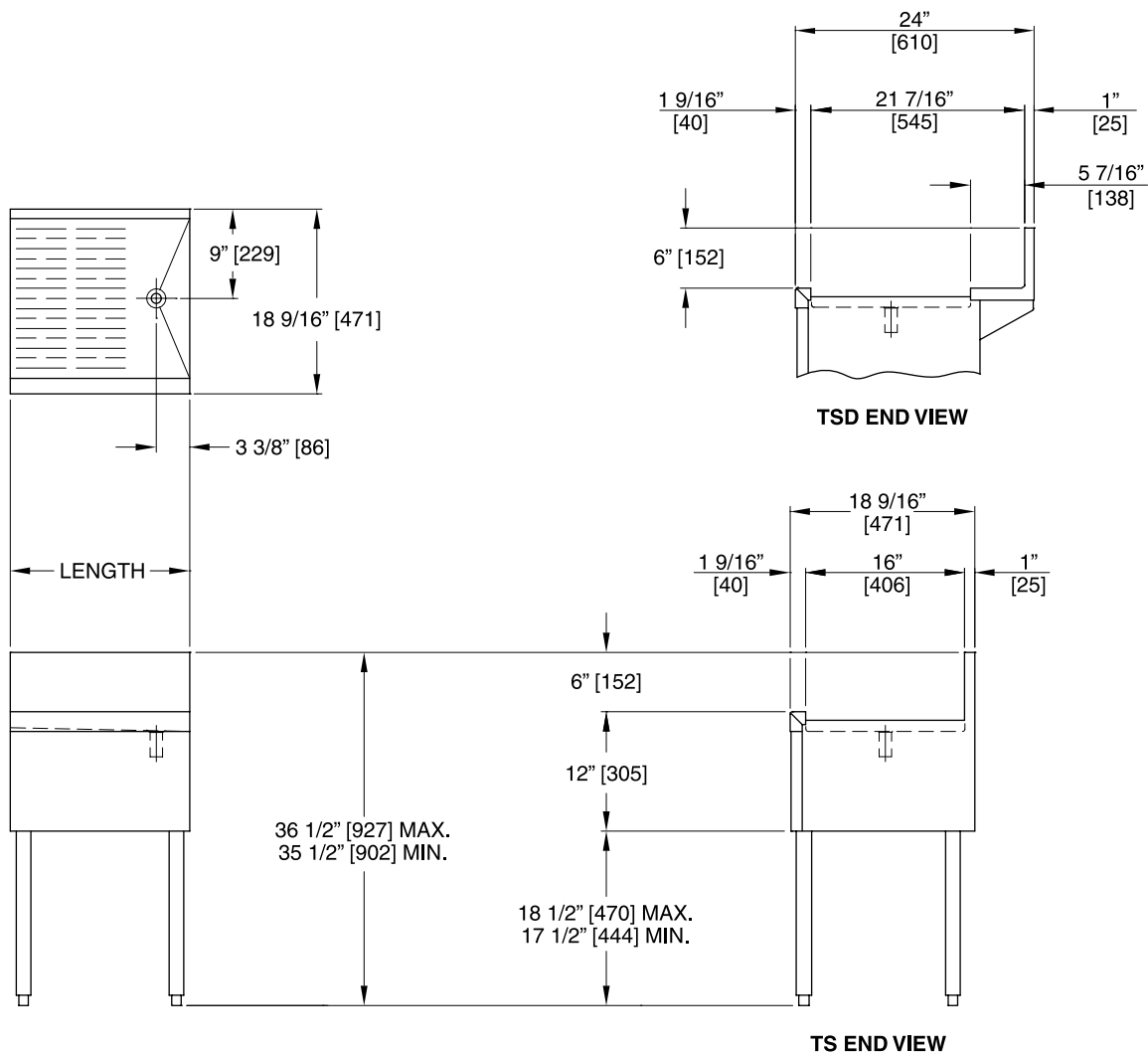
Form No. DB01
Rev. 03.30.05



Sizes and Specifications Drainboards

Job _____
 Area _____
 Item No. _____
 Model No. _____

MODEL NOS.	TS(D)12	TS(D)18	TS(D)24	TS(D)30	TS(D)36	TS(D)42	TS(D)48
LENGTH INS. (mm)	12" (305)	18" (457)	24" (610)	30" (762)	36" (914)	42" (1067)	48" (1219)
SHIP WT lbs. (kg)	35 (16)	40 (18)	45 (20)	50 (23)	60 (27)	90 (41)	115 (52)
FRONT & SIDES	Stainless steel.						
BACKSPLASH	General and TS Series: Stainless steel 6" high (4" high optional) with 1" return at top, mechanically fastened and sealed with steel support brackets. TSD Series: Stainless steel rear deck.						
BACK	Galvanized steel.						
DRAINBOARD	Embossed stainless steel, 16" deep front to back. All horizontal and vertical edges 1/4" radius with ballbed corners. Underside reinforced with welded brackets. Stainless steel drain socket.						
LEGS	1 5/8" tubular, stainless steel with 1" adjustable thermoplastic foot.						
PLUMBING	Drain-connection - 1 1/2" NPS Male.						



8300 West Good Hope Road • Milwaukee, WI 53223 • Phone 414-353-7060 • Fax 414-353-7069
 Toll Free 800-558-5592 • E-Mail: Perlick@Perlick.com • www.Perlick.com

Perlick is committed to continuous improvement.
 Therefore, we reserve the right to change specifications without prior notice.

Form No. DB01
 Rev. 03.30.05