

# HAND SINKS WITH TOWEL DISPENSER



## MODELS

TS Series

TS18HSN

TS18HST

## MODELS

TSD Series

TSD18HSN

TSD18HST



## Perlick Features

- Deep drawn stainless steel bowl
- NSF listed, commercial grade hot/cold water faucet (must be ordered separately)
- 16 oz. pump soap dispenser
- Dispenser for folded or rolled paper towels
- Sanitary end splashes
- Underside is sound-deadened
- Stainless steel legs install without tools and have "Rust Free" thermoplastic feet



GENERATIONS OF  
EXCELLENCE

Form No. SK01  
Rev. 09.19.2011



8300 West Good Hope Road • Milwaukee, WI 53223 • Phone 414.353.7060 • Fax 414.353.7069  
Toll Free 800.558.5592 • E-Mail [perlick@perlick.com](mailto:perlick@perlick.com) • [www.perlick.com](http://www.perlick.com)

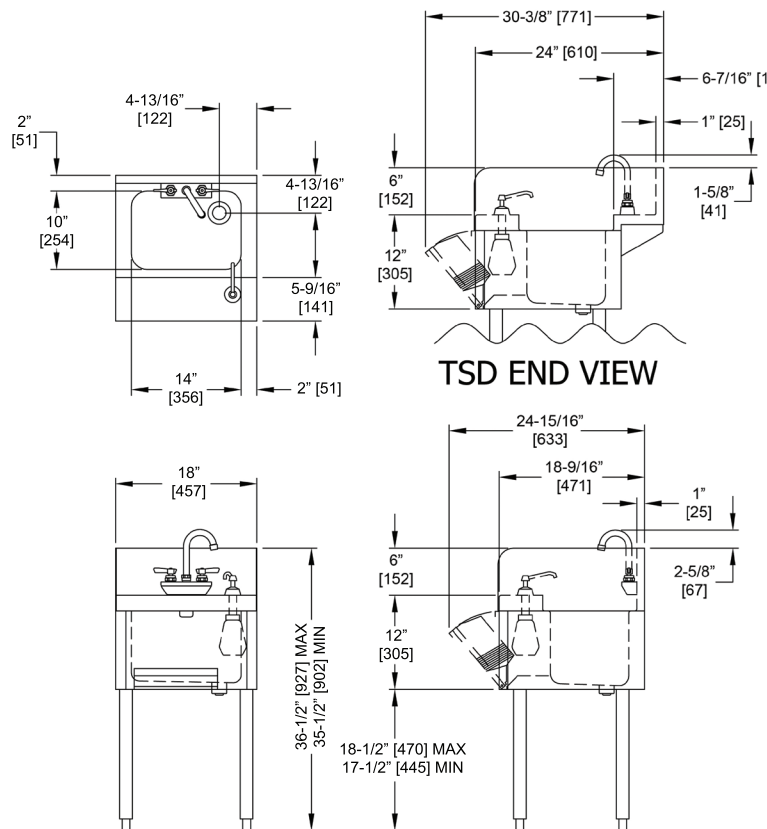
# Size and Specifications

Hand Sinks with Towel Dispenser



Job \_\_\_\_\_  
 Area \_\_\_\_\_  
 Item No. \_\_\_\_\_  
 Model No. \_\_\_\_\_

MODEL NO.	TS(D)18HSN	TS(D)18HST
LENGTH IN. (mm)	18" (457)	18" (457)
SHIP WEIGHT LB. (kg)	60 (27)	60 (27)
TOWEL DISPENSER	Folded	Roll 8" Wide
TOP & SIDES	Stainless steel	
BACK & BOTTOM	Galvanized back, stainless steel bottom	
BACKSPLASH	Stainless steel 6" high (4" high optional) with 1" return at the top, mechanically fastened and sealed to hand sink top with steel support brackets. <b>TSD Series:</b> Stainless steel rear deck	
LEGS	1-5/8" tubular, stainless steel with 1" adjustable thermoplastic foot.	
DOOR	Stainless steel hinged with magnetic catches	
BOWL	Stainless steel with sound deadening. 10"x14"x9-1/4" deep. All horizontal and vertical edges 1-1/2" radius with balled corners. Furnished with 1-1/2" stainless steel drain socket. 8-1/2" standpipe.	
WATER FAUCET	Chrome plated, hot and cold, 18" double-jointed swing spout faucet. Heavy-duty all brass construction. <b>Must be ordered separately.</b> Lead free faucet also available.	
PLUMBING	Drain connection: 1-1/2" NPS male. Hot and cold water connection <b>TS Series:</b> 3/8" copper supply tubes <b>TSD Series:</b> 1/2" IPS shanks and nuts	



*\*Faucet shown for clarity;  
 must be ordered separately*

Form No. SK01  
 Rev. 09.19.2011



8300 West Good Hope Road • Milwaukee, WI 53223 • Phone 414.353.7060 • Fax 414.353.7069  
 Toll Free 800.558.5592 • E-Mail perlick@perlick.com • www.perlick.com

Perlick is committed to continuous improvement. Therefore, we reserve the right to change specifications without prior notice