



# FILLER SECTIONS SIX INCH

## Perlick Features

- All stainless steel.
- Some models with black high-impact polypropylene bottle wells.

## MODEL NOS.

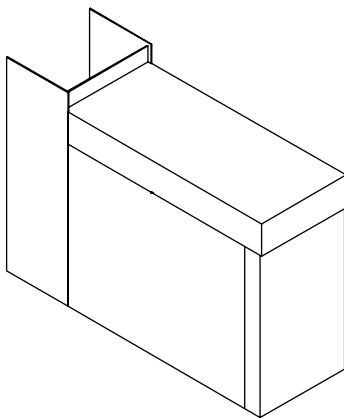
TS Series

- TS6CO
- TS6CO2
- TS6FA

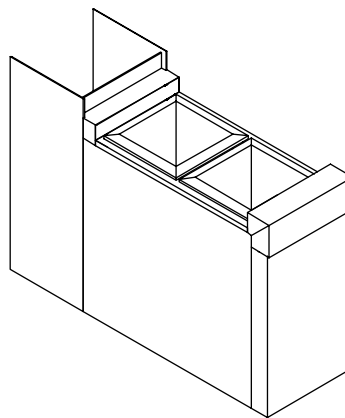
## MODEL NOS.

TSD Series

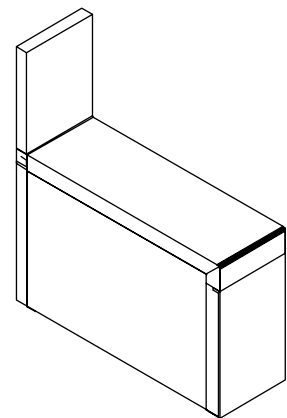
- TSD6FA



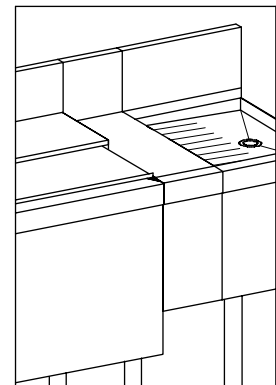
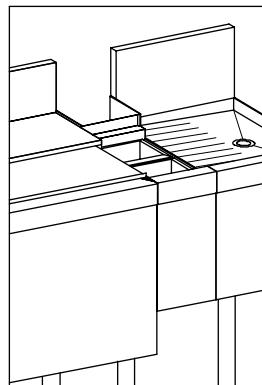
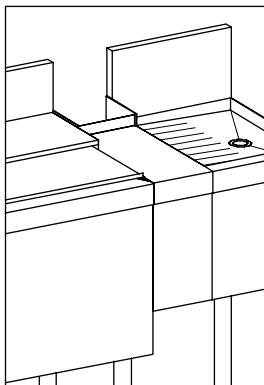
**TS6CO**



**TS6CO2**



**TS6FA**



8300 West Good Hope Road • Milwaukee, WI 53223 • Phone 414-353-7060 • Fax 414-353-7069  
Toll Free 800-558-5592 • E-Mail: [Perlick@Perlick.com](mailto:Perlick@Perlick.com) • [www.Perlick.com](http://www.Perlick.com)

Form No. FS01  
Rev. 03.30.05

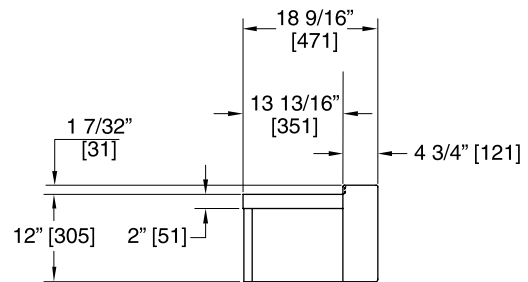
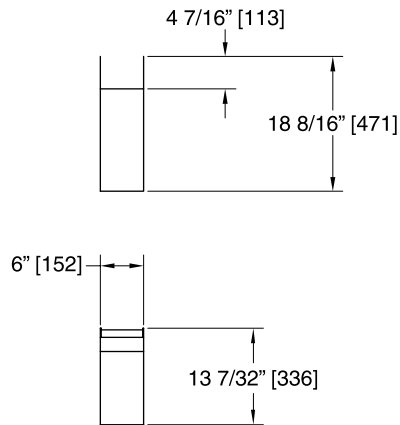


# Sizes and Specifications Filler Sections Six Inch

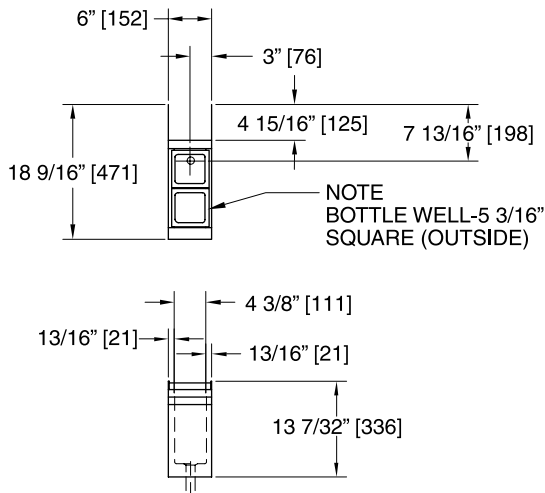
Job \_\_\_\_\_  
 Area \_\_\_\_\_  
 Item No. \_\_\_\_\_  
 Model No. \_\_\_\_\_

MODEL NOS.	TS6CO	TS6CO2	TS(D)6FA
DESCRIPTION	With Access Cutout & Flat Top	With Access Cutout & 2 Bottle Wells	With Flat Top
LENGTH INS. (mm)	6" (152)	6" (152)	6" (152)
SHIP WT lbs. (kg)	20 (9)	25 (11)	18 (8)
GENERAL PARTS	Stainless steel.		
BACKSPLASH	<b>TS(D)6FA:</b> Stainless steel, 6" high ( <i>4" high optional</i> ) with 1" return at top, mechanically fastened and sealed with steel support brackets. <b>TSD Series:</b> Stainless steel rear deck.		
INSULATION	N/A	Fiberglass	N/A
BOTTLE WELLS	N/A	Black High-Impact Polypropylene	N/A
DRAIN CONNECTION	N/A	1" NPS Male	N/A

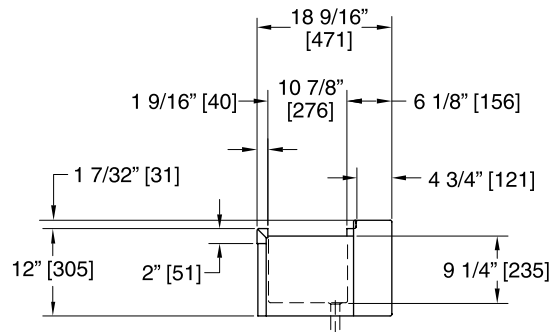
TS6CO



TS6CO2



NOTE  
 BOTTLE WELLS SHOWN  
 IN TOP VIEW ONLY



8300 West Good Hope Road • Milwaukee, WI 53223 • Phone 414-353-7060 • Fax 414-353-7069  
 Toll Free 800-558-5592 • E-Mail: Perlick@Perlick.com • www.Perlick.com

Perlick is committed to continuous improvement.  
 Therefore, we reserve the right to change specifications without prior notice.

Form No. FS01  
 Rev. 03.30.05