

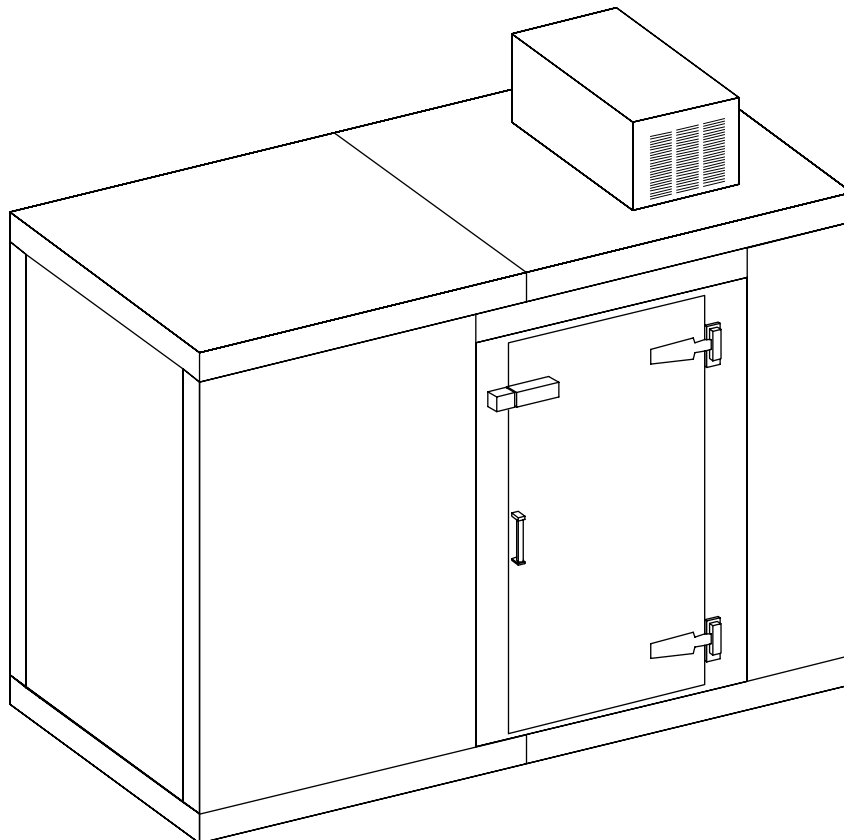
UTILITY COOLERS

Perlick Features

- Four keg and ten keg capacities; self-contained refrigeration.
- Compact size requires minimum space.
- Designed especially for draft beer keg storage.
- Efficient “cam-lock” construction for easy installation.
- Stucco-pattern galvanized steel exterior; galvanized G90 steel interior floor.
- Light “on” indicator in door.
- Flush-mounted, self-closing door with cam-lift hinges.

MODEL NOS.

- US4KP
- US10KP

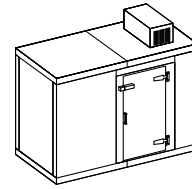
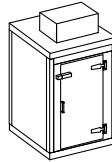


8300 West Good Hope Road • Milwaukee, WI 53223 • Phone 414-353-7060 • Fax 414-353-7069
Toll Free 800-558-5592 • E-Mail: Perlick@Perlick.com • www.Perlick.com

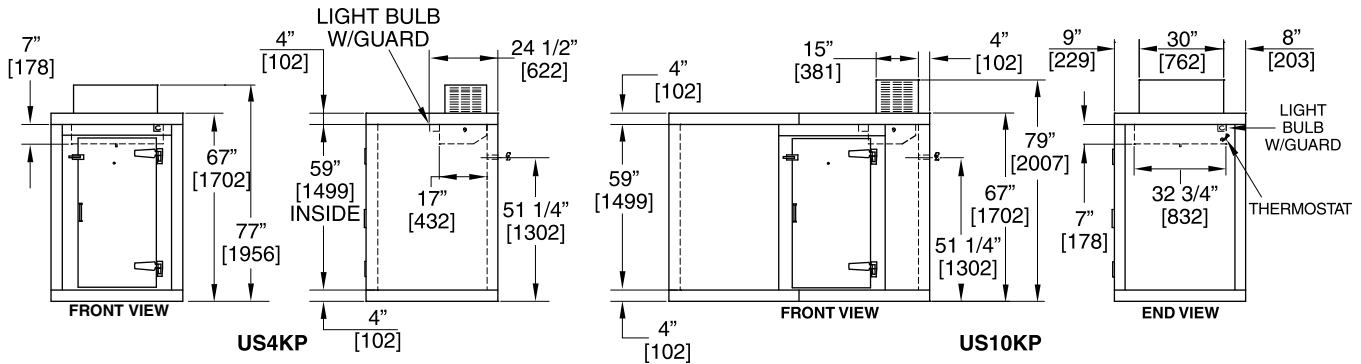
Form No. 101596
Rev. 06.03.10

Sizes and Specifications Utility Coolers

Job _____
 Area _____
 Item No. _____
 Model No. _____



MODEL NOS.		US4KP	US10KP
CABINET DIMENSIONS	Length - Inches (mm)	47" (1194)	93" (2362)
	Depth - Inches (mm)	47" (1194)	47" (1194)
	Height - Inches (mm)	77" (1956)	79" (2007)
KEG CAPACITY		4	10
CONDENSER UNIT H.P.		1/3	1/2
FULL LOAD AMPS		8.5	10.2
MAX. FUSE		15	15
SHIP WT Lbs. (kg)		700 (318)	1150 (552)
EXTERIOR	Floor: Stucco galvanized steel. Roof, Walls & Door: Stucco galvanized steel painted grey.		
INTERIOR	Floor: Galvanized G90 steel with plywood reinforcement. Roof, Walls & Door: Painted Model: Stucco pattern galvanized steel.		
ELECTRICAL	115 Volt, 60 Hz., 1 Phase AC. Junction box provided.		
PLUMBING	Evaporator condensate drains through access hole in wall. 20" x 1/2" I.D. drain line provided.		
REFRIGERATION	R-134a refrigerant.		
INSULATION	4" UL Class 1 urethane foam. Flame Spread Rating: 25 or less. Smoke Develop Rating: 450 or less.		
DOORS	Flush-mounted with cam-lift chrome hinges, automatic door closer, magnetic gasket, chrome pull handle. Door size: 30" wide x 55" high. Right-hand hinge standard.		
FEATURES	Light "on" indicator in door. Light switch and fixture installed on evaporator. Thermometer furnished loose.		
OPTIONAL ACCESSORIES	<ul style="list-style-type: none"> • Floor Rack • Keg Shelf 		



8300 West Good Hope Road • Milwaukee, WI 53223 • Phone 414-353-7060 • Fax 414-353-7069
 Toll Free 800-558-5592 • E-Mail: Perlick@Perlick.com • www.Perlick.com

Perlick is committed to continuous improvement. Therefore, we reserve the right to change specifications without prior notice. Form No. 101596 Rev. 06.03.10