



a Standex company

Item _____

**CURVED GLASS
REFRIGERATED
BAKERY CASE
MODEL CGR3148
CGR3642 CGR3648
CGR5042 CGR5048
CGR5942 CGR5948
CGR7742 CGR7748**



Sleek curved-glass styling blends with traditional design elements to maximize performance. Cases are available in lengths of 31", 36", 50", 59", and 77". Designed for continuous case line-ups without middle end glass.

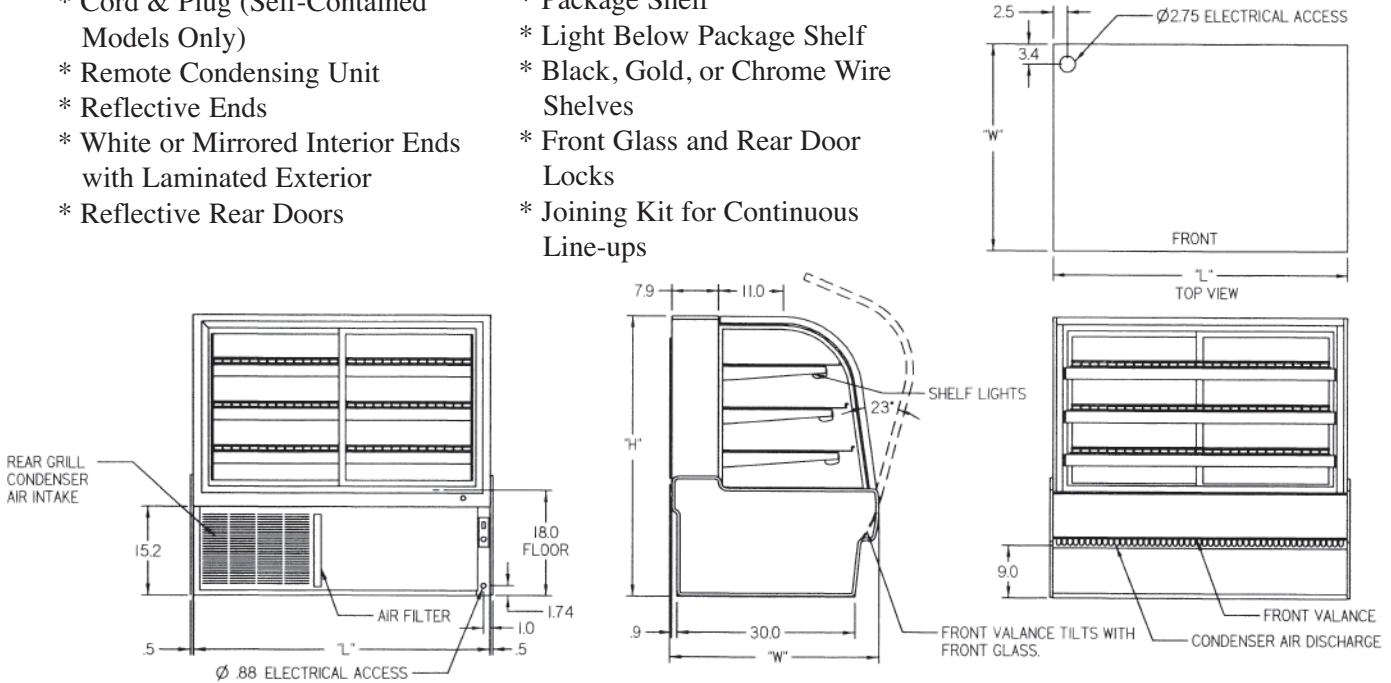
STANDARD FEATURES

- Curved glass styling.
- Adjustable white wire shelves. Shelves are adjustable up and down and can also be tilted in three positions. 48" models have three tiers of shelves; 42" models have two tiers of shelves.
- Tempered thermopane tilt-out front glass for easy cleaning. Front glass is curved for high visual product display.
- Tempered thermopane glass ends, sides, and doors.
- Removable sliding rear doors, shelf lights, shelf supports, and shelves.
- 31" has a swing door, hinged right or left.
- Shielded top light and shelf lights.
- Steel base construction with a choice of six standard laminates on base. Other finishes optional.
- Condenser air filter on self-contained units.
- Thermometer.
- Removable, scratch-resistant, rustproof white display deck.
- Condensate evaporator provided for a totally self-contained system.
- Oversized coil and low-velocity fan system maintains high humidity and product freshness.
- Easy clean, rustproof insulated evaporator coil compartment.
- Easily accessible light switch and adjustable temperature control.
- Average case temperature of 38° to 40° F is maintained.
- Rear access to the refrigeration system for quick and easy service.
- Designed for continuous line-ups.
- Black trim.
- 134A Refrigerant.
- UL Safety and UL Sanitation Listed.

CURVED GLASS REFRIGERATED BAKERY CASE

OPTIONAL ACCESSORIES:

- * Special Base Finish
- * Glass Shelves
- * Rear Wrapping Board
- * Cord & Plug (Self-Contained Models Only)
- * Remote Condensing Unit
- * Reflective Ends
- * White or Mirrored Interior Ends with Laminated Exterior
- * Reflective Rear Doors
- * Casters/Cord & Plug Included (Self-Contained Models Only)
- * Legs
- * Top Cutting Board, White
- * Package Shelf
- * Light Below Package Shelf
- * Black, Gold, or Chrome Wire Shelves
- * Front Glass and Rear Door Locks
- * Joining Kit for Continuous Line-ups



SPECIFICATIONS:

Model	Dimensions			Bakery Pan Capacity	Self-Contained (120/60/1)	Remote (120/60/1)
	L	W	H			
CGR3148	31.13"	35.31"	48"	4 (18" x 26") & 4 (9" x 26")	1/3 HP - 8.0 AMPS	2.1 AMPS
CGR3642	36.13"	35.31"	42"	3 (18" x 26") & 3 (9" x 26")	1/3 HP - 9.0 AMPS	2.3 AMPS
CGR3648	36.13"	35.31"	48"	4 (18" x 26") & 4 (9" x 26")	1/3 HP - 9.0 AMPS	2.3 AMPS
CGR5042	50.13"	35.31"	42"	6 (18" x 26") & 3 (9" x 26")	1/2 HP - 10.5 AMPS	2.3 AMPS
CGR5048	50.13"	35.31"	48"	8 (18" x 26") & 4 (9" x 26")	1/2 HP - 10.5 AMPS	2.3 AMPS
CGR5942	59.13"	35.31"	42"	9 (18" x 26")	1/2 HP - 11.6 AMPS	2.5 AMPS
CGR5948	59.13"	35.31"	48"	12 (18" x 26")	1/2 HP - 11.6 AMPS	2.5 AMPS
CGR7742	77.13"	35.31"	42"	12 (18" x 26")	3/4 HP - 14.2 AMPS	3.3 AMPS
CGR7748	77.13"	35.31"	48"	16 (18" x 26")	3/4 HP - 14.2 AMPS	3.3 AMPS

- Refrigerated cases are designed to operate in a maximum environment of 75° ambient and 55% relative humidity.
- Due to continuing engineering improvements, specifications are subject to change without notice.



Look to Federal for Innovative Merchandising



a Standex company

Federal Industries
A Standex Company
215 Federal Avenue
Belleville WI 53508-0290
Phone: 800-356-4206
Fax: 608-424-3234
Email: geninfo@federalind.com
Web Site: www.federalind.com