



The Signature of Quality®

FEDERAL INDUSTRIES

A Standex Company
215 Federal Avenue
Belleville, WI 53508-9201

Phone: 800-356-4206
Fax: 608-424-3234
Email: geninfo@federalind.com
Website: www.federalind.com

Project Name: _____

Item #: _____

Model #: _____ Qty: _____

Approval: _____

AIA#

SIS#

CURVED GLASS REFRIGERATED DELI CASE

Sleek curved-glass styling blends with traditional design elements to maximize performance. Designed for continuous case line-ups without middle end glass.



| MODEL | DIMENSIONS (Includes End Panels) |
|------------------------------------|---|
| <input type="checkbox"/> CGR3648CD | 36.13 x 35.31 x 48 (in) 918 x 897 x 1219 (mm) |
| <input type="checkbox"/> CGR5048CD | 50.13 x 35.31 x 48 (in) 1273 x 897 x 1219 (mm) |
| <input type="checkbox"/> CGR5948CD | 59.13 x 35.31 x 48 (in) 1502 x 897 x 1219 (mm) |
| <input type="checkbox"/> CGR7748CD | 77.13 x 35.31 x 48 (in) 1959 x 897 x 1219 (mm) |

STANDARD FEATURES

Model Features

- Curved glass styling.
- Removable rear wrapping board.
- Tempered thermopane tilt-out front glass for easy cleaning. Front glass is curved for high visual product displays.
- Tempered thermopane glass ends and doors.
- Removable sliding rear doors, shelf light, shelf supports, and shelf.
- Steel base construction with a choice of six standard laminates on base. Other finishes optional.
- Condenser air filter on self-contained units.
- Thermometer.
- Removable, scratch-resistant, rustproof white display deck.
- Easily accessible light switch and adjustable temperature control.
- Rear access of the refrigeration system for quick and easy service.
- Black trim.
- Designed for continuous line-ups.
- Adjustable Leg Levelers

Refrigeration

- Condensate evaporator provided for a totally self-contained system.
- Oversized coil and low-velocity fan system maintains high humidity and product freshness.
- Easy clean, rustproof insulated evaporator coil compartment.
- Average case temperature of 36° to 38° is maintained.
- R513a Refrigerant (R449a in Remote Applications)

Shelving

- Adjustable full-length stainless steel lighted mezzanine shelf. Shelf is adjustable up and down and can also be tilted in three positions.

Lighting

- 3000K LED top light and shelf lights.
- DLC Certified, IP66 rated

Agency Approvals

- UL Safety and UL Sanitation listed
- DOE 2017 Compliant

OPTIONAL ACCESSORIES

- | | |
|--|--|
| <input type="checkbox"/> Special Base Finish | <input type="checkbox"/> Reflective Rear Doors |
| <input type="checkbox"/> Additional Mezzanine Shelf | <input type="checkbox"/> Legs |
| <input type="checkbox"/> Cord & Plug | <input type="checkbox"/> Top Cutting Board, White |
| <input type="checkbox"/> Remote Refrigeration (EEV Included) | <input type="checkbox"/> Package Shelf |
| <input type="checkbox"/> Reflective Ends | <input type="checkbox"/> LED Light Below Package Shelf |
| <input type="checkbox"/> White or Mirrored Interior Ends With Laminated Exterior | <input type="checkbox"/> Front Glass and Rear Door Locks |
| <input type="checkbox"/> Casters (Self-Contained Models Only) Cord & Plug Included | <input type="checkbox"/> Joining Kit for Continuous Line-ups |
| | <input type="checkbox"/> Scale Stand |
| | <input type="checkbox"/> Step Riser or Pan Holder |
| | <input type="checkbox"/> Glass Mezzanine Shelf |
| | <input type="checkbox"/> Additional Mezzanine Shelf |



WARRANTY*
One year Parts and Labor
2nd thru 5th year part
only service compressor
(U.S.A and Canada)

Note: Information is subject to change at any time.
Visit www.federalind.com for the most current specs.

AIA#

CURVED GLASS REFRIGERATED DELI CASE

SIS#

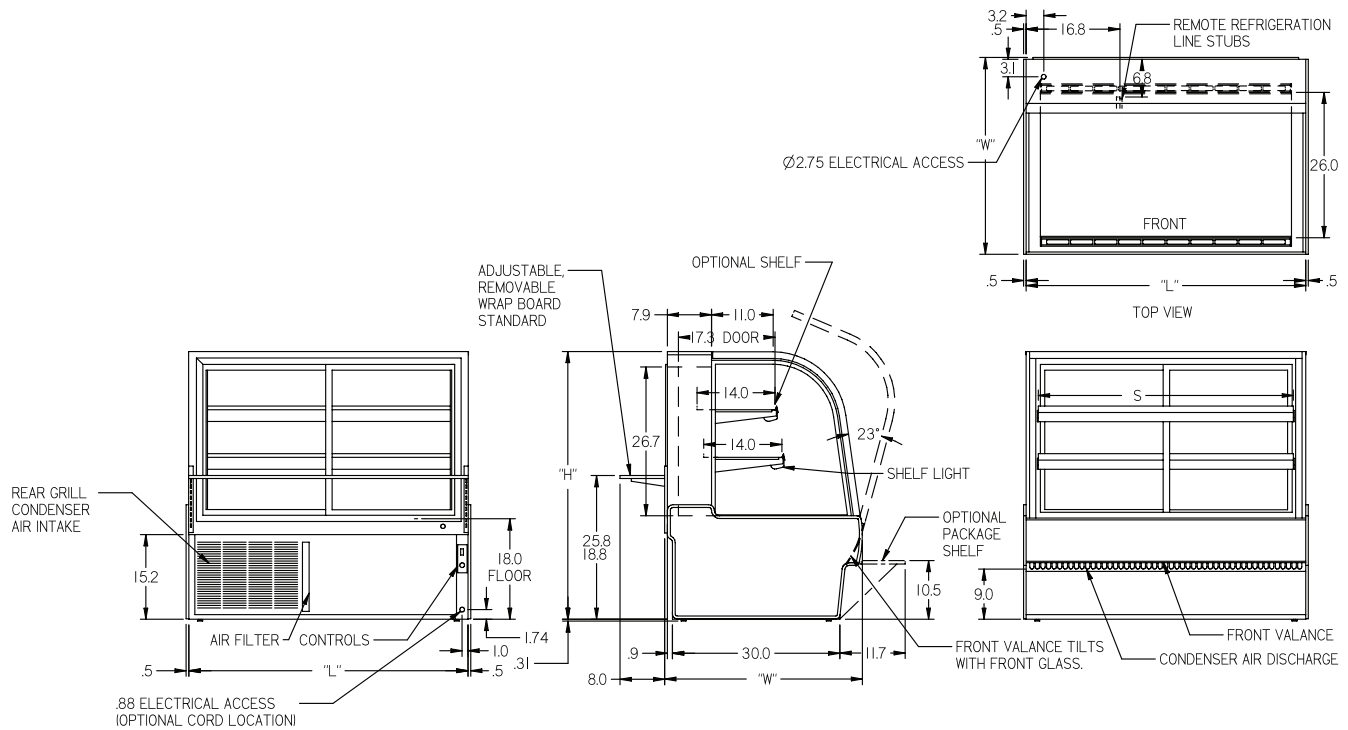
Product Specifications

Intended Environment: Type I - Designed to operate in maximum ambient conditions of 75°F (24°C) and 55% relative humidity unless noted otherwise in system information below.

| Zone | Intended Product To Be Displayed | Avg Prod Temp °F/°C |
|------|----------------------------------|---------------------|
| All | Packaged Refrigerated Products | 38°F / (3.3°C) |

DIMENSION: xx"/(mm)

DIMENSION TOLERANCE +/- 0.25 (6.4)



| MODEL | DIMENSIONS | | | | SHIPPING WHT | | CAPACITY (STEP RISERS) | SELF-CONTAINED 120/60/1 Permanently Connected | REMOTE 120/60/1 | OPTIONAL NEMA PLUG |
|-----------|------------|-------|------|-------|--------------|------|------------------------|---|-----------------|--------------------|
| | L | D | H1 | UNITS | LBS | KILO | | | | |
| CGR3648CD | 36.13 | 35.31 | 48 | in. | 470 | 213 | 2 | 1/3 HP - 8.0 AMPS | 2.3 AMPS | 5-15p |
| | 918 | 897 | 1219 | mm. | | | | | | |
| CGR5048CD | 50.13 | 35.31 | 48 | in. | 620 | 281 | 3 | 1/2 HP - 10.5 AMPS | 2.3 AMPS | 5-15p |
| | 1273 | 897 | 1219 | mm. | | | | | | |
| CGR5948CD | 59.13 | 35.31 | 48 | in. | 650 | 295 | 4 | 1/2 HP - 12.0 AMPS | 2.5 AMPS | 5-15p |
| | 1502 | 897 | 1219 | mm. | | | | | | |
| CGR7748CD | 77.13 | 35.31 | 48 | in. | 870 | 395 | 6 | 3/4 HP - 15.4 AMPS | 3.3 AMPS | 5-20p |
| | 1959 | 897 | 1219 | mm. | | | | | | |

- If a GFCI circuit is required, a GFCI Breaker MUST be used instead of GFCI receptacle.
- Refrigerated cases are designed to operate in a maximum of 75°F (24°C) ambient and 55% relative humidity.
- Due to continuing engineering improvements, specifications are subject to change without notice.

DOE 2017
Energy Efficiency
Compliant



The Signature of Quality®

FEDERAL INDUSTRIES

A Standex Company

215 Federal Avenue Belleville, Wisconsin 53508-9201

Phone: 800-356-4206

Fax: 608-424-3234

Email: Geninfo@Federalind.com

Website: Federalind.com