



||| a Standex company

Item _____

**CURVED GLASS
DUAL ZONE CASE
MODEL CGR5042DZ
CGR5048DZ
CGR5942DZ
CGR5948DZ
CGR7742DZ
CGR7748DZ**



Sleek curved-glass styling blends with traditional design elements to maximize performance. Cases are available in lengths of 50", 59", and 77". Designed for continuous case line-ups.

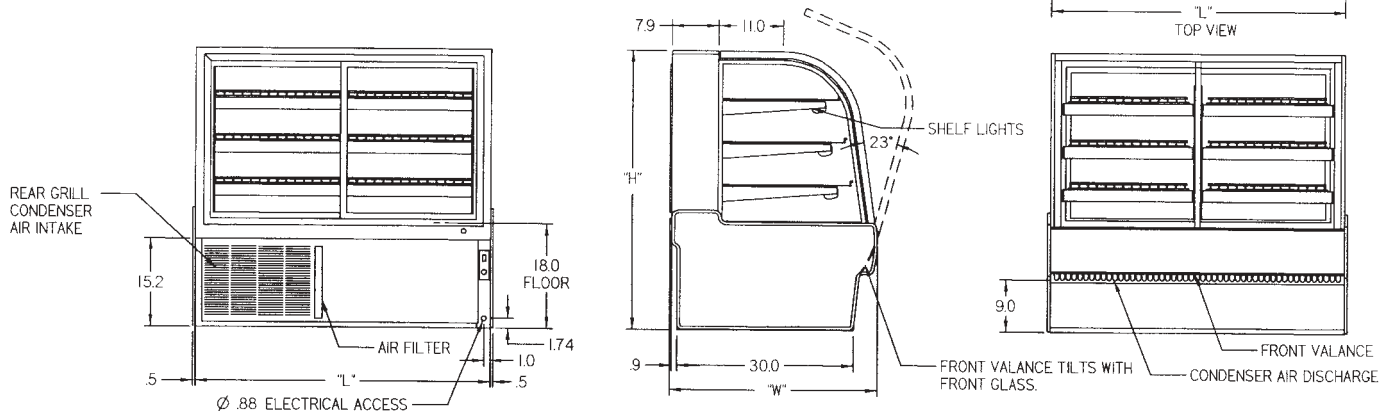
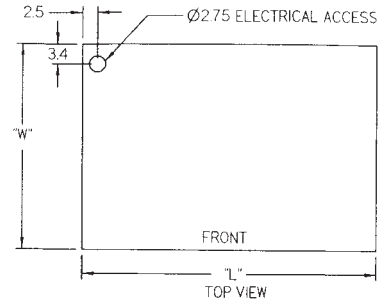
STANDARD FEATURES

- Curved glass styling.
 - Single base design.
 - Left side refrigerated, right side non-refrigerated from customer view.
 - Adjustable white wire shelves. Shelves are adjustable up and down and can also be tilted in three positions. 48" models have three tiers of shelves; 42" models have two tiers of shelves.
 - Shielded top light and shelf lights.
 - Tempered thermopane tilt-out front glass for easy cleaning. Front glass is curved for high visual product display.
 - Tempered thermopane glass ends and doors.
 - Removable sliding rear doors, shelf lights, shelf supports, and shelves.
 - Steel base construction with a choice of six standard laminates on base. Other finishes optional.
 - Black trim, others optional.
 - White scratch-resistant display deck.
 - UL Safety and UL Sanitation Listed.
- Added Features for Refrigerated Side**
- Condenser air filter on self-contained units.
 - Thermometer.
 - Condensate evaporator provided for a totally self-contained system.
 - Oversized coil and low-velocity fan system maintains high humidity and product freshness.
 - Easy clean, rustproof insulated evaporator coil compartment.
 - Adjustable temperature control.
 - Average case temperature of 38° to 40° is maintained.
 - Rear access of the refrigeration system for quick and easy service.
 - 134A Refrigerant.

CURVED GLASS DUAL ZONE CASE

OPTIONAL ACCESSORIES:

- | | |
|--|--|
| <ul style="list-style-type: none"> *Special Base Finish *Glass Shelves *Rear Wrapping Board *Cord & Plug (Self-Contained Models Only) *Remote Condensing Unit *Black, Gold, or Chrome Wire Shelves *Reflective Ends *White or Mirrored Interior Ends With Laminated Exterior | <ul style="list-style-type: none"> *Reflective Rear Doors *Casters/Cord & Plug Included (Self-Contained Models Only) *Legs *Top Cutting Board, White *Package Shelf *Light Below Package Shelf *Front Glass and Rear Door Locks *Joining Kit for Continuous Line-Ups |
|--|--|



SPECIFICATIONS:

Model	Dimensions			Self-Contained 120/60/1	Remote 120/60/1
	L	W	H		
CGR5042DZ	50.13"	35.31"	42"	1/3 HP - 8.0 AMPS	2.5 AMPS
CGR5048DZ	50.13"	35.31"	48"	1/3 HP - 8.0 AMPS	2.5 AMPS
CGR5942DZ	59.13"	35.31"	42"	1/3 HP - 9.0 AMPS	3.0 AMPS
CGR5948DZ	59.13"	35.31"	48"	1/3 HP - 9.0 AMPS	3.0 AMPS
CGR7742DZ	77.13"	35.31"	42"	1/3 HP - 9.0 AMPS	3.0 AMPS
CGR7748DZ	77.13"	35.31"	48"	1/3 HP - 9.0 AMPS	3.0 AMPS

- Refrigerated cases are designed to operate in a maximum environment of 75° ambient and 55% relative humidity.
- Due to continuing engineering improvements, specifications are subject to change without notice.



Look to Federal for Innovative Merchandising



a Standex company

Federal Industries
A Standex Company
215 Federal Avenue
Belleville WI 53508-0290
Phone: 800-356-4206
Fax: 608-424-3234
Email: geninfo@federalind.com
Web Site: www.federalind.com