



The Signature of Quality

FEDERAL INDUSTRIES

A Standex Company
215 Federal Avenue
Belleville, WI 53508-9201

Phone: 800-356-4206
Fax: 608-424-3234
Email: geninfo@federalind.com
Website: www.federalind.com

Project Name: _____

Item #: _____

Model #: _____ Qty: _____

Approval: _____

AIA#

SIS#

COUNTER TOP SIGNATURE SERIES HOT MERCHANDISER

The Signature Series counter top merchandiser combines attractive curved glass styling and merchandising flexibility. Designed for continuous case line-ups.



MODEL	DIMENSIONS (Includes End Panels)
<input type="checkbox"/> CH2428	23 x 29.7 x 25.12 (in) 635 x 754 x 638 (mm)
<input type="checkbox"/> CH3628	35 x 29.7 x 25.12 (in) 889 x 754 x 638 (mm)
<input type="checkbox"/> CH4828	47 x 29.7 x 25.12 (in) 1194 x 754 x 638 (mm)

STANDARD FEATURES

Model Features

- Curved glass styling.
- Three hinged lift-up front doors allow for customer access.
- Tempered front and end glass.
- Removable sliding rear doors, shelf lights, shelf supports, and shelves.
- Stainless steel display deck.
- Easily accessible light switch and variable heat control.
- Humidified air maintains ideal product moisture.
- Stainless steel construction.
- Designed for continuous line-ups.
- Cord and plug (NEMA 5-15P).
- Drain not required.

Shelving

- Adjustable black wire shelves. Shelves are adjustable up and down and can also be tilted in two positions. Two tiers.

Lighting

- Incandescent top and shelf lights.

Agency Approvals

- UL Safety and UL Sanitation Listed.

OPTIONAL ACCESSORIES

- Reflective Ends
- Reflective Rear Doors
- Pedestal With Wrapping Board
(To Match Refrigerated Bar Mount Unit)
- Insulated End Panel - For Case Line-Ups

WARRANTY*
One year Parts and Labor
2nd thru 5th year part
only service compressor
(U.S.A and Canada)

Note: Information is subject to change at any time.
Visit www.federalind.com for the most current specs.

Revised 02/18/2020



AIA#

COUNTER TOP SIGNATURE SERIES HOT

SIS#

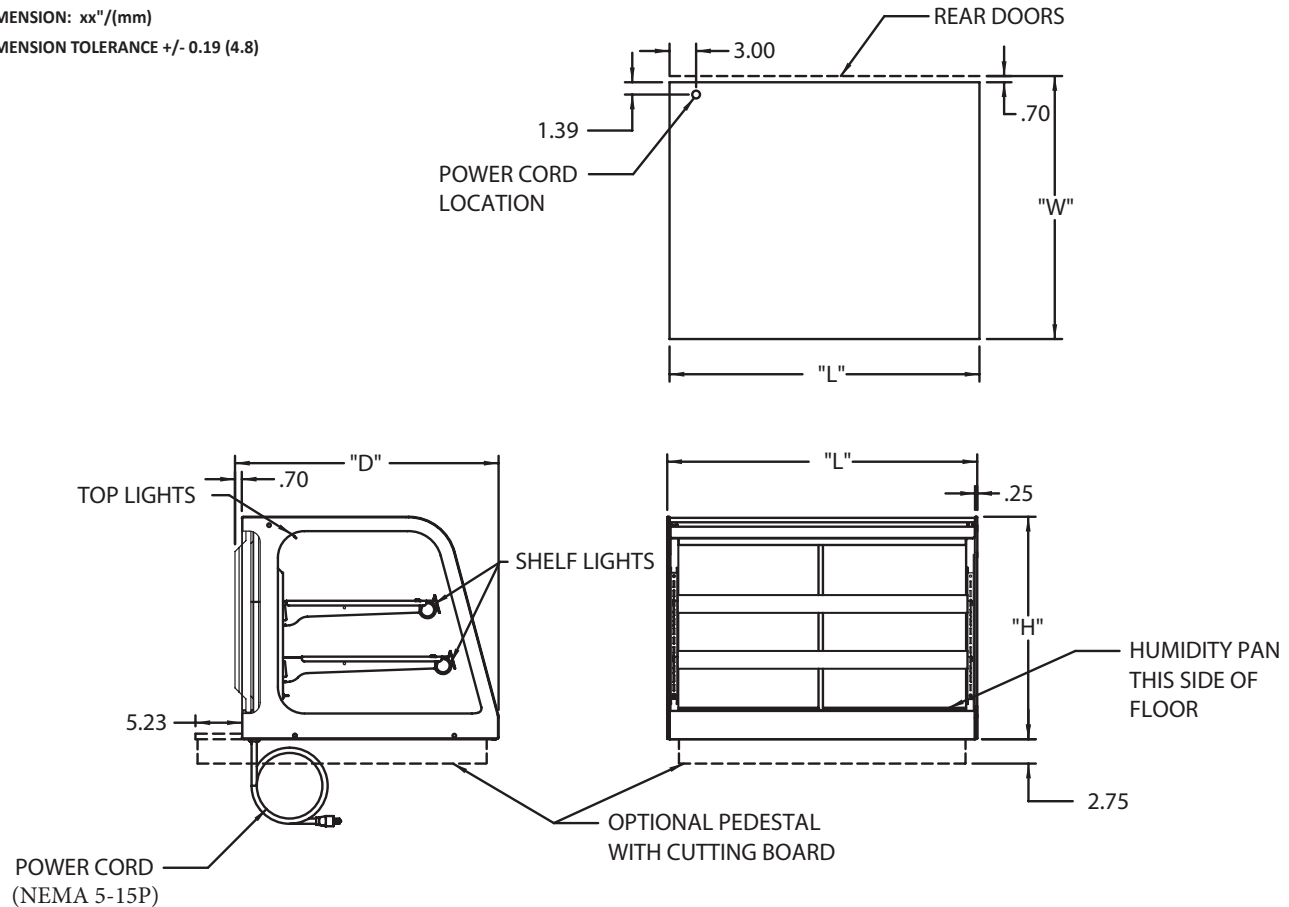
Product Specifications

Intended Environment: Not intended for use outdoors or in environments exceeding 90% relative humidity

Zone	Intended Product to Be Displayed	Warmest Avg Prod Temp °F/°C
All	Packaged heated product	160°F/(71.1°C)

DIMENSION: xx"/(mm)

DIMENSION TOLERANCE +/- 0.19 (4.8)



MODEL	DIMENSIONS*				SHIPPING WHT		ELECTRICAL 120/60/1
	L	D	H	UNITS	LBS	KILO	
CH2428	23	29.7	25.12	in.	290	132	5.8 AMPS
	635	754	638	mm.			
CH3628	35	29.7	25.12	in.	333	151	8.4 AMPS
	889	754	638	mm.			
CH4828	47	29.7	25.12	in.	375	170	11.0 AMPS
	1194	754	638	mm.			

- If a GFCI circuit is required, a GFCI Breaker Must be used instead of GFCI receptacle.
- Due to continuing engineering improvements, specifications are subject to change without notice.



The Signature of Quality®

FEDERAL INDUSTRIES

A Standex Company

215 Federal Avenue Belleville, Wisconsin 53508-9201

Phone: 800-356-4206

Fax: 608-424-3234

Email: Geninfo@Federalind.com

Website: Federalind.com