



a Standex company

Item _____

**REFRIGERATED SELF-SERVICE
LOW PROFILE
SPECIALTY MERCHANDISER
MODEL LPRSS3
LPRSS4
LPRSS5
LPRSS6**



Maximize your display potential with Federal's low-profile, refrigerated self-serve merchandiser. Bring product to the customer for increased sales with the reduced labor of a self-serve display case. Available in lengths of 3', 4', 5', and 6'.

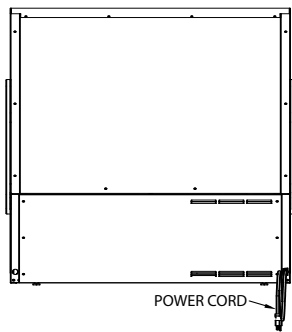
STANDARD FEATURES

- Two tiers solid black metal shelves.
- Choice of six standard laminates on exterior. Other finishes optional.
- Black trim.
- Stainless steel display deck and black interior ends and back panel.
- Horizontal top light.
- Automatic defrost and condensate evaporator provided for a totally self-contained system.
- Insulated with high-density foam.
- Refrigeration controls maintain 40°F.
- Thermometer provided.
- UL Safety and UL Sanitation listed.
- Adjustable feet.
- Glass ends.
- Cord and plug.

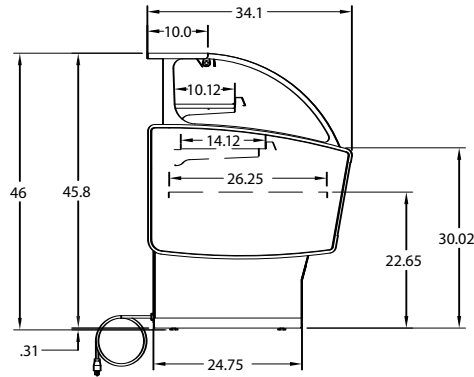
REFRIGERATED SELF-SERVICE MERCHANDISER

OPTIONAL ACCESSORIES:

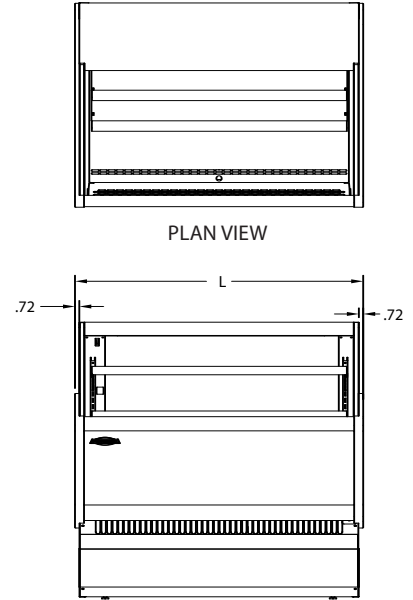
- | | |
|--|--|
| <ul style="list-style-type: none"> * Special Base Finish * Remote Refrigeration * Glass or Stainless Shelving in Lieu of Black Metal * Reflective End Glass * Lights Below Shelves * Recessed Casters * Exposed Lockable 4" Casters * Energy Saving Night Curtain * Rear Access Solid Doors | <ul style="list-style-type: none"> * Two-Tier Stainless Steel Display Step in Lieu of Shelving * Flush End Panels for Counter Installations * Legs * Security Night Cover * Stainless Steel Interior, Including Shelves * Front or Rear Condensing Unit Air Intake and Discharge |
|--|--|



REAR VIEW



END VIEW



FRONT VIEW

PLAN VIEW

SPECIFICATIONS:

Model	Dimensions			Shipping Weight (lbs)	Shelf Area (Sq. Ft.)	*Self-Contained with Condensate Pan	Remote 120/60/1 with Condensate Pan
	L	W	H				
LPRSS3	36"	34"	46"	457	11	120/60/1 - 1/3 HP - 15 AMPS	10 AMPS
LPRSS4	48"	34"	46"	560	15	120/60/1 - 1/3 HP - 15 AMPS	10 AMPS
LPRSS5	60"	34"	46"	650	19	230/60/1 - 1/2 HP - 10 AMPS	14 AMPS
LPRSS6	72"	34"	46"	750	24	230/60/1 - 3/4 HP - 12 AMPS	14 AMPS

- Case temperature will vary if the air curtain is disrupted.
- The rear of the unit needs to be 6" from a wall.
- Refrigerated cases are designed to operate in a maximum environment of 75° F ambient and 55% relative humidity.
- Due to continuing engineering improvements, specifications are subject to change without notice.



(For Pre-Packaged Product Only)

Look to Federal for Innovative Merchandising



Federal Industries
A Standex Company
215 Federal Avenue
Belleville WI 53508-0290
Phone: 800-356-4206
Fax: 608-424-3234
Email: geninfo@federalind.com
Web Site: www.federalind.com