



a Standex company

Item _____

HIGH VOLUME REFRIGERATED MAXI DELI CASE MODEL MSG-454-DC MSG-654-DC MSG-854-DC MSG-1054-DC



*The Maxi Deli delivers full-size capacity with presentation and value in mind.
Cases are available in lengths of 4', 6', 8' and 10'. Designed for continuous line-ups.*

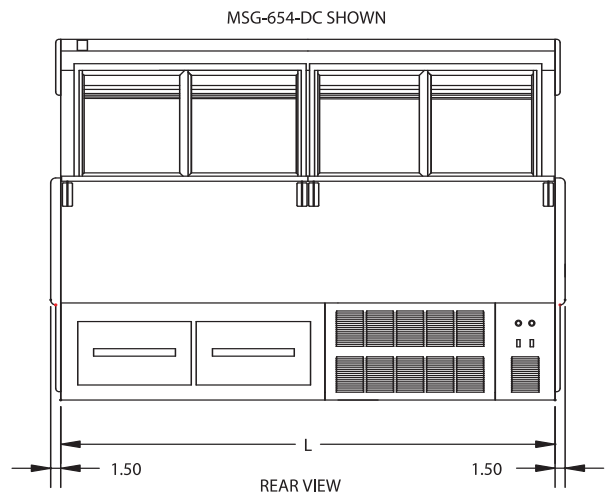
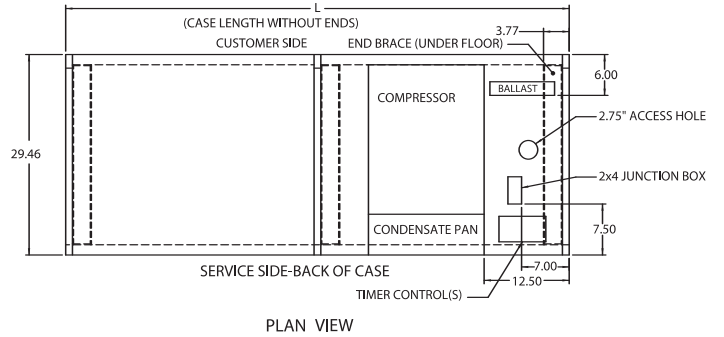
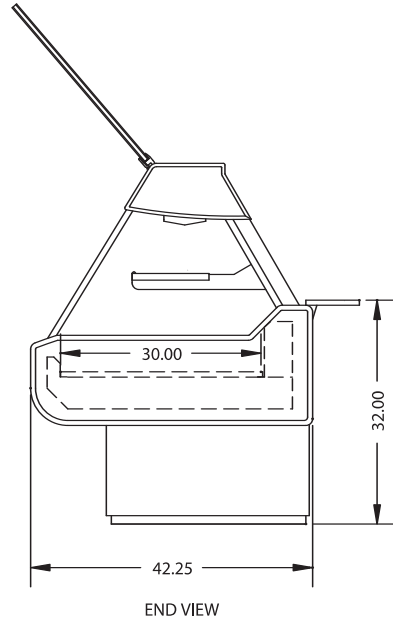
STANDARD FEATURES

- Lift-up, pneumatic, cylinder-assisted, tempered thermopane straight front glass.
- Tempered end glass and rear doors.
- Stainless steel deck.
- Fold-down rear wrapping board.
- Coated evaporator coil(s).
- Adjustable temperature control.
- Adjustable lighted mezzanine shelf.
- Thermometer.
- Accepts full-size deli risers and meat trays.
- Self-contained with condensate evaporator pan/ Remote refrigeration available.
- Double-duty, refrigerated pull-out storage drawers. 4' has one drawer, 6' and 8' have two drawers, 10' has three drawers.
- Stainless steel exterior finish/Laminated finishes available.
- Gravity coil.
- UL Safety and UL Sanitation Listed.
- Decorative end panels and front bumper rail available in white, black, gray and green.
- Designed for continuous case line-ups.
- Appliance receptacle provided on back.

HIGH VOLUME REFRIGERATED MAXI DELI CASE

OPTIONAL ACCESSORIES:

- * Special Color Laminated Base
- * Additional Lighted Mezzanine Shelf
- * Paper Roll Cutter/Holder
- * Reflective Ends
- * Reflective Doors
- * Remote Refrigeration
- * Scale Stand
- * Slicer Stand
- * Deli Step Pan Holder or Risers
- * Promolux Lighting



SPECIFICATIONS:

| Model | Dimensions L W H | Shipping Weight (lbs) | Capacity (Step Pans) | *Self-Contained 120/60/1 | *Remote 120/60 |
|-------------|----------------------|--------------------------|-------------------------|-----------------------------|-------------------|
| MSG-454-DC | 50" x 42 1/4" x 54" | 730 | 4 | 3/4 HP - 15.4 AMPS | 10.4 AMPS |
| MSG-654-DC | 74" x 42 1/4" x 54" | 930 | 6 | 3/4 HP - 15.6 AMPS | 10.6 AMPS |
| MSG-854-DC | 98" x 42 1/4" x 54" | 1,210 | 8 | 3/4 HP - 15.8 AMPS | 10.8 AMPS |
| MSG-1054-DC | 122" x 42 1/4" x 54" | 1,530 | 10 | 3/4 HP - 16.0 AMPS | 11.0 AMPS |

- Includes general purpose receptacle 120V, 3AMP.
- Refrigerated cases are designed to operate in a maximum environment of 75° ambient and 55% relative humidity.
- Due to continuing engineering improvements, specifications are subject to change without notice.



Look to Federal for Innovative Merchandising



Federal Industries
A Standex Company
215 Federal Avenue
Belleville WI 53508-0290
Phone: 800-356-4206
Fax: 608-424-3234
Email: geninfo@federalind.com
Web Site: www.federalind.com