



**a Standex company**

Item \_\_\_\_\_

**HIGH VOLUME  
SEAFOOD & FISH MAXI CASE  
MODEL MSG-454-DF  
MSG-654-DF  
MSG-854-DF  
MSG-1054-DF**



*The Seafood & Fish Maxi Case delivers full size capacity with presentation and value in mind.  
Cases available in lengths of 4', 6', 8' and 10'. Designed for continuous line-ups.*

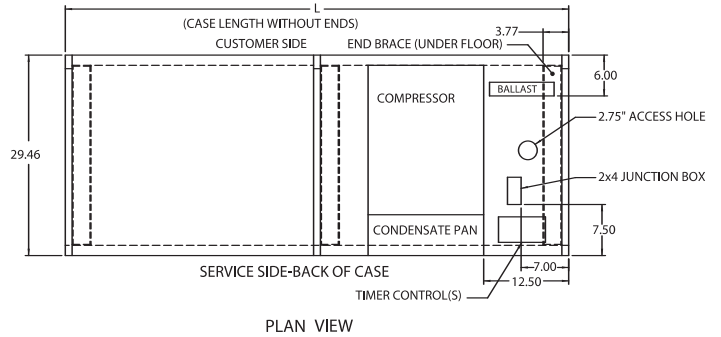
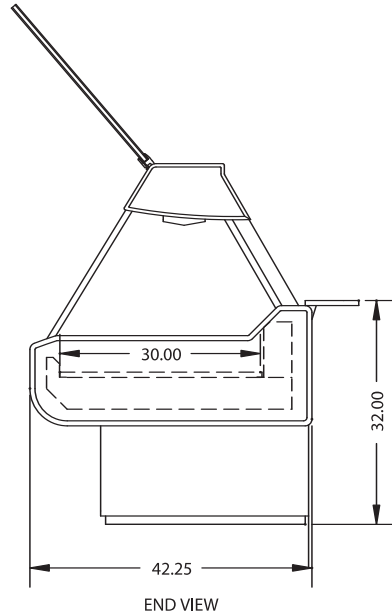
**STANDARD FEATURES**

- Lift-up, pneumatic, cylinder-assisted, tempered thermopane straight front glass.
- Tempered end glass and rear doors.
- Stainless steel ice pan w/drain.
- Fold-down rear wrapping board.
- Coated evaporator coil.
- Adjustable temperature control.
- Thermometer.
- Self-contained with condensate evaporator pan/ Remote refrigeration available.
- Stainless steel exterior finish/Laminated finishes available.
- Gravity coil.
- UL Safety and UL Sanitation Listed.
- Decorative end panels and front bumper rail available in white, black, gray and green.
- Designed for continuous case line-ups.
- Appliance receptacle provided on back.

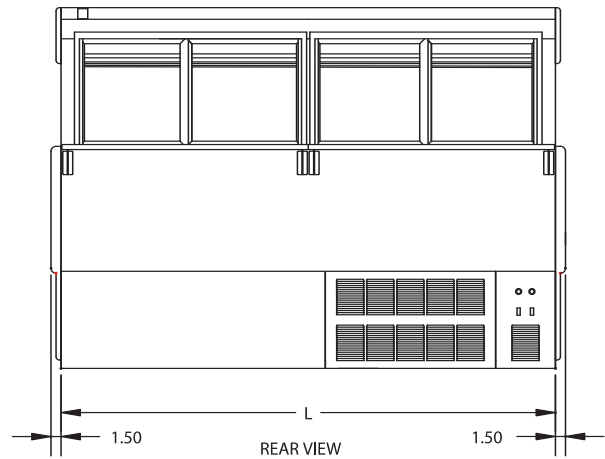
# HIGH VOLUME SEAFOOD & FISH MAXI CASE

## OPTIONAL ACCESSORIES:

- \* Special Color Laminated Base
- \* Paper Roll Cutter/Holder
- \* Reflective Ends
- \* Reflective Doors
- \* Remote Refrigeration
- \* Scale Stand
- \* Promolux Lighting



MSG-654-DF SHOWN



## SPECIFICATIONS:

Model	Dimensions L W H	Shipping Weight (lbs)	*Self-Contained 120/60/1	*Remote 120/60/1
MSG-454-DF	50" x 42 1/4" x 54"	730	1/2 HP - 13.4 AMPS	10.4 AMPS
MSG-654-DF	74" x 42 1/4" x 54"	930	1/2 HP - 13.6 AMPS	10.6 AMPS
MSG-854-DF	98" x 42 1/4" x 54"	1,230	1/2 HP - 13.8 AMPS	10.8 AMPS
MSG-1054-DF	122" x 42 1/4" x 54"	1,530	1/2 HP - 14.0 AMPS	11.0 AMPS

- Includes general purpose receptacle 120V, 3 AMP.
- Refrigerated cases are designed to operate in a maximum environment of 75° ambient and 55% relative humidity.
- Due to continuing engineering improvements, specifications are subject to change without notice.



**Look to Federal for Innovative Merchandising**



**a Standex company**

**Federal Industries**  
**A Standex Company**  
**215 Federal Avenue**  
**Belleville WI 53508-0290**  
**Phone: 800-356-4206**  
**Fax: 608-424-3234**  
**Email: [geninfo@federalind.com](mailto:geninfo@federalind.com)**  
**Web Site: [www.federalind.com](http://www.federalind.com)**