



a Standex company

ITEM: _____ PROJECT NAME: _____ DATE: _____

REFRIGERATED SELF-SERVE HIGH PROFILE SPECIALTY MERCHANDISER

- MODEL** **RSSM-360SC** **RSSM-378SC**
 RSSM-460SC **RSSM-478SC**
 RSSM-560SC **RSSM-578SC**
 RSSM-660SC **RSSM-678SC**



Designed with impulse sales in mind. Get maximum return from an attention-grabbing merchandiser and increase profits. Available in lengths of 3', 4', and 6', and 60" or 78" high.

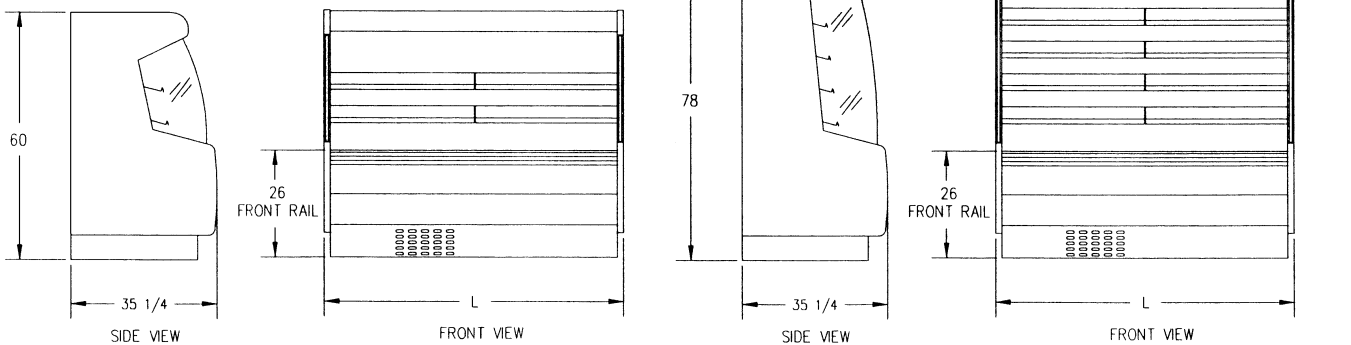
STANDARD FEATURES

- Adjustable black metal shelves with price tag molding. Shelves can be flat or slanted. The 60" case has two tiers of shelves, the 78" case has four tiers.
- Top mounted octron shielded light. Shelf lights optional.
- Choice of six standard laminates on exterior. Other color laminates are optional. Black metal front grill and galvanized steel back.
- Silver trim, gold, and black optional.
- Stainless steel display deck, glass and black interior ends, black interior back panel.
- Energy saving night curtain.
- Solid state timer provides automatic defrost.
- Condensate evaporator provided for a totally self-contained system. (Not available on RSSM-560SC and RSSM-660SC. Condensate pump provided.)
- Insulated with high-density urethane foam.
- Continuous line-ups are available for remote applications.
- Refrigeration controls maintain 40°F. Note: Case temperature will vary if the air curtain is disrupted.
- The rear of the unit needs to be 6" from a wall.
- Thermometer.
- UL Safety and UL Sanitation Listed.

REFRIGERATED SELF-SERVE HIGH PROFILE SPECIALTY MERCHANDISER

OPTIONAL ACCESSORIES:

- Special Laminate Finish
- Roll-up Security Cover or Removable Night Cover
- Wire Shelves in Lieu of Flat Metal
- Joining Kit for Continuous Line-ups
- Remote Refrigeration with Condensate Pump
- Front Condensing Unit Air Discharger
- Sliding and Hinged Rear Access Doors
- Rear Side Panel Extensions (Six Inches)
- Slim 30" Deep Profile
- White Interior (Including Shelving)
- Light Below Shelves
- Black or Gold Trim
- Wire Baskets in Lieu of Flat Metal
- Deli Meat Hooks or Pegs
- Casters (Self-Contained Models Only) Cord Included
- Cord & Plug (Self-Contained Models Only) (NEMA L14-20)
- Reflective End Glass
- Legs
- Condensate Pump
- Condensate Evaporator Assembly (Field Install)



SPECIFICATIONS:

Model	Dimensions L W H	Shipping Weight (lbs)	Shelving	Self-Contained 3-Wire Plus Ground 120/208-240/60/1	Remote 120/60/1
<input type="checkbox"/> RSSM-360SC	36" x 35 1/4" x 60"	709	2 (15" x 34")	1/2 HP • 10 AMPS	3 AMPS
<input type="checkbox"/> RSSM-460SC	47 1/4" x 35 1/4" x 60"	800	2 (15" x 45")	3/4 HP • 13 AMPS	4 AMPS
<input type="checkbox"/> RSSM-560SC	59 1/4" x 35 1/4" x 60"	960	2 (15" x 57")	1 HP • 10 AMPS	5 AMPS
<input type="checkbox"/> RSSM-660SC	71 1/4" x 35 1/4" x 60"	1,020	4 (15" x 34")	1 HP • 10 AMPS	6 AMPS
<input type="checkbox"/> RSSM-378SC	36" x 35 1/4" x 78"	835	4 (15" x 34")	1/2 HP • 10 AMPS	3 AMPS
<input type="checkbox"/> RSSM-478SC	47 1/4" x 35 1/4" x 78"	925	4 (15" x 45")	3/4 HP • 13 AMPS	4 AMPS
<input type="checkbox"/> RSSM-578SC	59 1/4" x 35 1/4" x 78"	1,160	4 (15" x 57")	1 HP • 15 AMPS	5 AMPS
<input type="checkbox"/> RSSM-678SC	71 1/4" x 35 1/4" x 78"	1,220	8 (15" x 34")	1 HP • 15 AMPS	6 AMPS

- Case temperature will vary if the air curtain is disrupted.
- The rear of the unit needs to be 6" from a wall.
- Electrical Requirement – The minimum circuit ampacity and maximum fuse size is 20 amps.
A 120/208-240 volt, 60 hertz, 1 phase, 3-wire plus ground power supply.
- Refrigerated cases are designed to operate in a maximum of 75°F ambient and 55% relative humidity.
- Due to continuing engineering improvements, specifications are subject to change without notice.



The Signature of Quality

FEDERAL INDUSTRIES
A Standex Company

215 FEDERAL AVENUE, BELLEVILLE, WISCONSIN 53508-9201
PHONE: 800-356-4206 **FAX: 608-424-3234**
EMAIL: geninfo@federalind.com **WEBSITE: www.federalind.com**

