



||| a Standex company

Item _____

**HIGH VOLUME
NON-REFRIGERATED
BAKERY CASE
MODEL SGD3148
SGD3642 SGD3648
SGD5042 SGD5048
SGD5942 SGD5948
SGD7742 SGD7748**



*Display more product and serve more customers with presentation and value in mind.
Cases are available in lengths of 31", 36", 50", 59", and 77". Designed for continuous case line-ups
without middle end glass.*

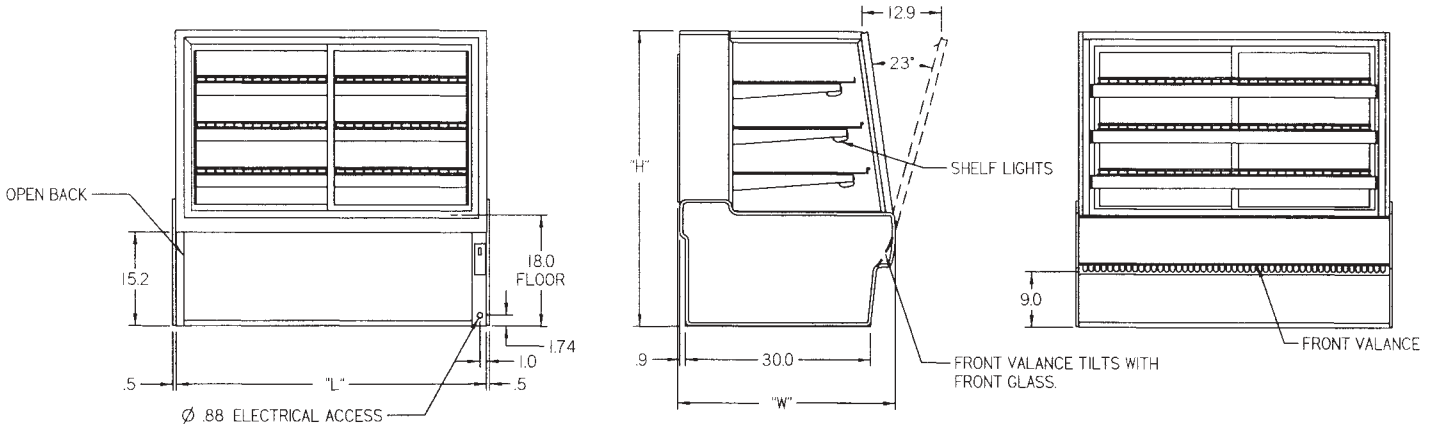
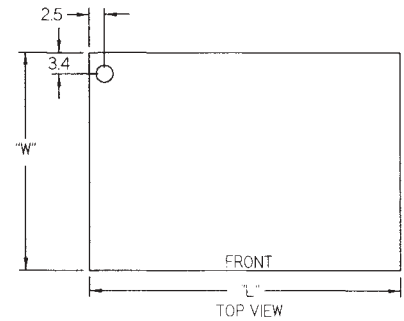
STANDARD FEATURES

- Adjustable white wire shelves. Shelves are adjustable up and down and can also be tilted in three positions. 48" models have three tiers of shelves; 42" models have two tiers of shelves.
- Tempered tilt-out front glass for easy cleaning. Front glass is sloped for high visual product display.
- Tempered glass top, ends, and doors.
- Removable sliding rear doors, shelf lights, shelf supports, and shelves.
- 31" and 36" have two swing doors.
- Shielded top light and shelf lights.
- Steel base construction with a choice of six standard laminates on base. Other finishes optional.
- Scratch-resistant, corrosion-proof white vented display deck.
- Designed for continuous line-ups.
- Black trim.
- UL Safety and UL Sanitation Listed.

HIGH VOLUME NON-REFRIGERATED BAKERY CASE

OPTIONAL ACCESSORIES:

- * Special Base Finish
- * Glass Shelves
- * Rear Wrapping Board
- * Cord & Plug (NEMA 5-15)
- * Fan Kit
- * Black, Gold, or Chrome Wire Shelves
- * Reflective Ends
- * White or Mirrored Interior Ends with Laminated Exterior
- * Reflective Rear Doors
- * Casters/Cord & Plug Included
- * Legs
- * Top Cutting Board, White
- * Package Shelf
- * Light Below Package Shelf
- * Front Glass & Rear Door Locks
- * Joining Kit for Continuous Line-ups



SPECIFICATIONS:

Model	Dimensions			Shipping Weight (Lbs.)	Bakery Pan Capacity	Electrical (120/60/1)
	L	W	H			
SGD3148	31.13"	35.31"	48"	270	4 (18" x 26") & 4 (9" x 26")	1.5 AMPS
SGD3642	36.13"	35.31"	42"	385	3 (18" x 26") & 3 (9" x 26")	1.5 AMPS
SGD3648	36.13"	35.31"	48"	400	4 (18" x 26") & 4 (9" x 26")	1.5 AMPS
SGD5042	50.13"	35.31"	42"	425	6 (18" x 26") & 3 (9" x 26")	1.5 AMPS
SGD5048	50.13"	35.31"	48"	480	8 (18" x 26") & 4 (9" x 26")	1.5 AMPS
SGD5942	59.13"	35.31"	42"	505	9 (18" x 26")	1.5 AMPS
SGD5948	59.13"	35.31"	48"	535	12 (18" x 26")	1.5 AMPS
SGD7742	77.13"	35.31"	42"	685	12 (18" x 26")	1.5 AMPS
SGD7748	77.13"	35.31"	48"	715	16 (18" x 26")	1.5 AMPS

- Due to continuing engineering improvements, specifications are subject to change without notice.



Look to Federal for Innovative Merchandising



a Standex company

Federal Industries
A Standex Company
215 Federal Avenue
Belleville WI 53508-0290
Phone: 800-356-4206
Fax: 608-424-3234
Email: geninfo@federalind.com
Web Site: www.federalind.com