



||| a Standex company

Item _____

SERIES '90
NON-REFRIG. BAKERY CASE
MODEL SN-48
SN-59
SN-77



Series '90. The ultimate merchandiser with advanced styling for maximum visual appeal. Cases are available in lengths of 48", 59", and 77". Designed for continuous case line-ups.

STANDARD FEATURES

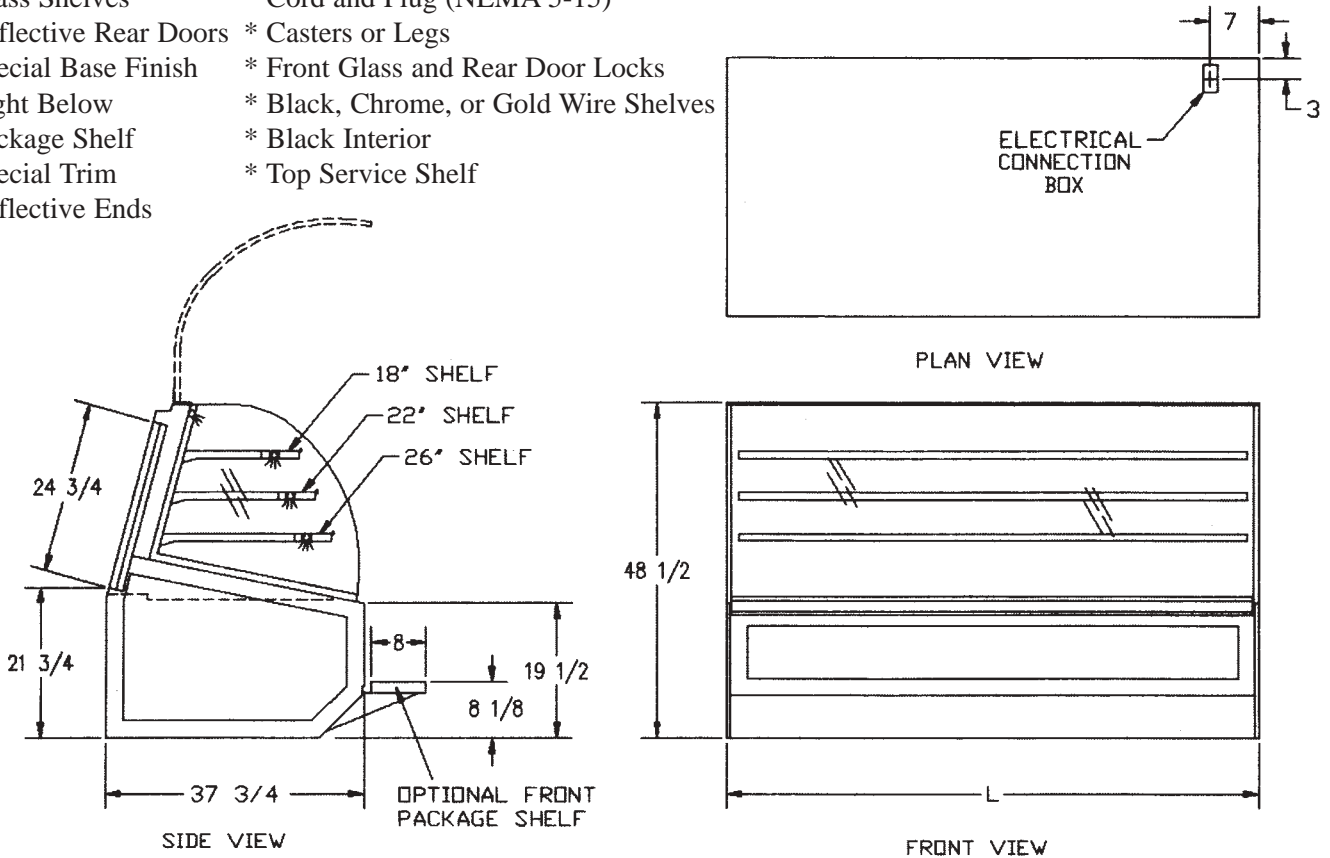
- Adjustable white cantilevered shelves. Shelves are adjustable up and down and can also be tilted.
- Lift-up pneumatic, cylinder-assisted double-curve tempered front glass.
- Four point leveling system.
- Removable sliding rear doors, shelf lights, shelf supports, and shelves.
- Glass ends and rear doors. Rear doors are sloped for product access.
- Vent system to reduce heat build-up from the lights.
- Octron top light and shelf lights. Lights are shielded and independently wired.
- All-welded base construction with a choice of six standard laminates on base. Other color laminates optional.
- Easily accessible control panel with main auxiliary fan and light control.
- Neutral beige acrylic PVC trim. Trim does not show scratches and is very easy to clean.
- Double bend tempered front glass reduces glare from outside lighting.
- Case height is only 48" high allowing better interaction between the customer and the sales clerk.
- White display deck.
- UL Safety and NSF Listed.

SERIES '90

NON-REFRIGERATED BAKERY CASE

OPTIONAL ACCESSORIES:

- * Package Shelf
- * Glass Shelves
- * Reflective Rear Doors
- * Special Base Finish
- * Light Below Package Shelf
- * Special Trim
- * Reflective Ends
- * Rear Wrapping Board
- * Cord and Plug (NEMA 5-15)
- * Casters or Legs
- * Front Glass and Rear Door Locks
- * Black, Chrome, or Gold Wire Shelves
- * Black Interior
- * Top Service Shelf



SPECIFICATIONS:

Model	Dimensions			Shipping Weight (lbs)	Capacity (Bakery Pans)	Power 120/60/1
	L	W	H			
SN-48	48 1/4" x 37 3/4" x 48 1/2"			600	4 (18" x 26") 8 (12" x 18") 2 (9" x 26")	1.0 AMPS
SN-59	59 1/4" x 37 3/4" x 48 1/2"			700	10 (18" x 26")	1.5 AMPS
SN-77	77 1/4" x 37 3/4" x 48 1/2"			865	8 (18" x 26") 12 (12" x 18")	2.0 AMPS

SANITATION CLASSIFIED



- Due to continuing engineering improvements, specifications are subject to change without notice.

Look to Federal for Innovative Merchandising



a Standex company

Federal Industries
A Standex Company
215 Federal Avenue
Belleville WI 53508-0290
Phone: 800-356-4206
Fax: 608-424-3234
Email: geninfo@federalind.com
Web Site: www.federalind.com