



The Signature of Quality

FEDERAL INDUSTRIES

A Standex Company
215 Federal Avenue
Belleville, WI 53508-9201

Phone: 800-356-4206
Fax: 608-424-3234
Email: geninfo@federalind.com
Website: www.federalind.com

Project Name: _____

Item #: _____

Model #: _____ Qty: _____

Approval: _____

AIA#

SIS#

SERIES '90 NON-REFRIGERATED BAKERY CASE

Series '90. The ultimate merchandiser with advanced styling for maximum visual appeal. Designed for continuous case line-ups.



Table with 2 columns: MODEL and DIMENSIONS (Includes End Panels). Rows include SN48, SN59, and SN77 with their respective dimensions in inches and millimeters.

STANDARD FEATURES

Model Features

- Adjustable white cantilevered shelves. Shelves are adjustable up and down and can be tilted.
Lift-up pneumatic, cylinder-assisted, double-curve tempered front glass.
Adjustable Leg Levelers
Removable sliding rear doors, shelf lights, shelf supports, and shelves.
Glass ends and rear doors. Rear doors are sloped for product access.
Vent system to reduce heat build-up from the lights.
Base trim: specify white, black, or stainless.
End glass trim: specify white or black.
All-welded base construction with a choice of six standard laminates on base. Other color laminates optional.
Easily accessible control panel with main auxiliary fan and light control.
Double-bend tempered front glass reduces glare from outside lighting.
Case height is only 48" high allowing better interaction between the customer and the sales clerk.
White display deck.

Shelving

- Adjustable white cantilevered shelves. Shelves are adjustable up and down and can also be tilted.

Lighting

- fluorescent top light and shelf lights. Lights are independently wired.
DLC Certified, IP66 rated.

Agency Approvals

- UL Safety and NSF Listed.
DOE 2017 Compliant.

OPTIONAL ACCESSORIES

- Special Base Finish
Base Trim Specify White, Black, or Stainless
End Glass Trim Specify White or Black
Black or Stainless Steel Interior
Glass, Black, or Chrome Shelves in Lieu of White
Casters or Legs
Cord and Plug (Six Foot)
Front Package Shelf With or Without Light Below
Reflective End Glass
Mirrored Interior Ends With Laminated Exterior
Reflective Rear Doors
Rear Wrapping Board
Front Glass and Rear Door Locks
Top Service Shelf (Stainless Steel or Glass)



WARRANTY*
One year Parts and Labor
2nd thru 5th year part only service compressor
(U.S.A and Canada)

Note: Information is subject to change at any time. Visit www.federalind.com for the most current specs.

AIA#

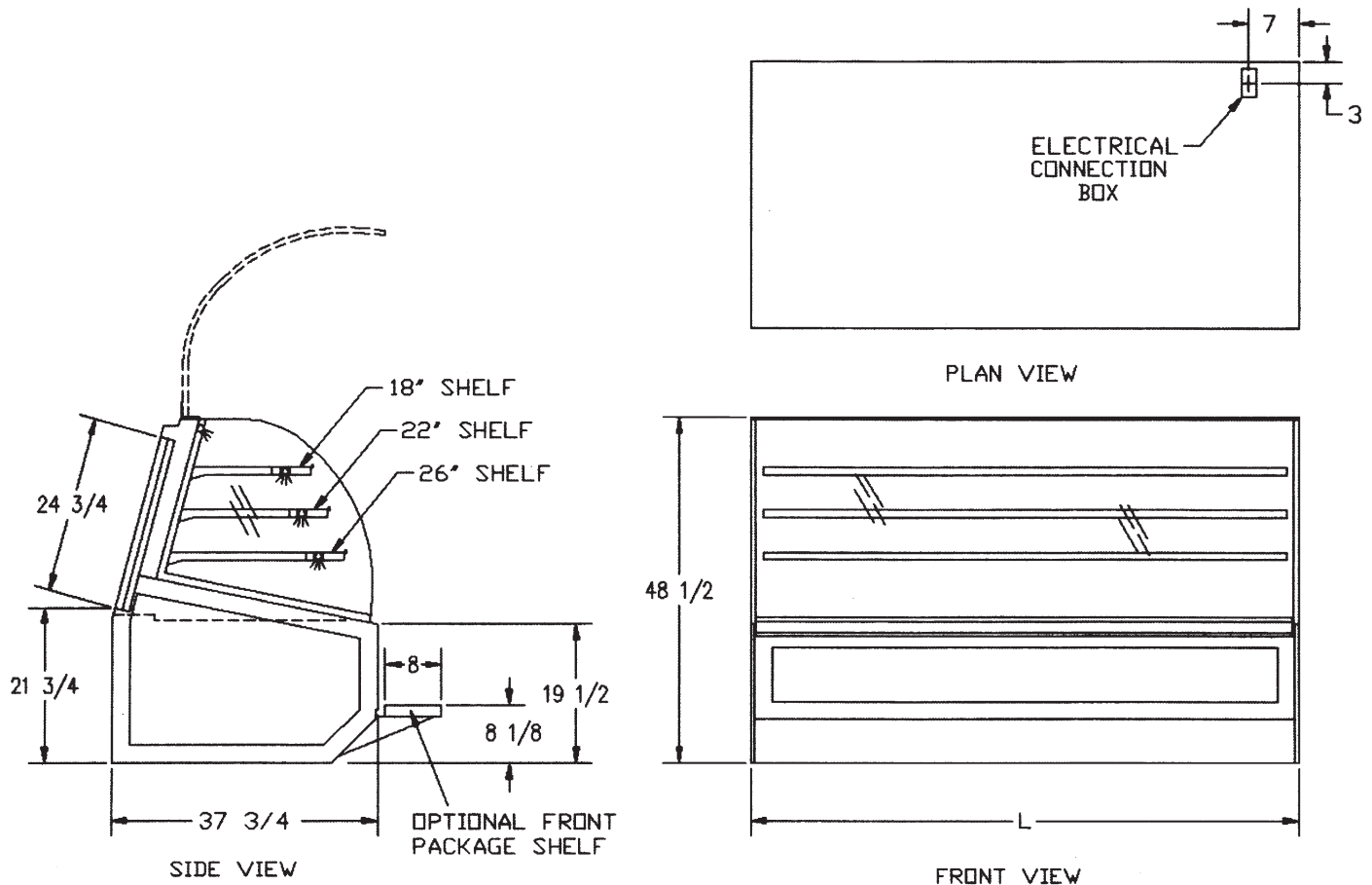
SERIES '90 NON-REFRIGERATED BAKERY CASE

SIS#

Product Specifications

DIMENSION: xx"/(mm)

DIMENSION TOLERANCE +/- 0.19 (4.8)



MODEL	DIMENSIONS*				SHIPPING WHT		CAPACITY (BAKERY PANS)	REMOTE 120/60/1
	L	D	H1	UNITS	LBS	KILO		
SN48	48.25	37.75	48.5	in.	600	272	4 (18" X 26") 8 (12" X 18") 2 (9" X 26")	1.0 AMPS
	1226	959	1232	mm.				
SN59	59.25	37.75	48.5	in.	700	318	10 (18" X 26")	1.5 AMPS
	1505	959	1232	mm.				
SN77	77.25	37.75	48.5	in.	865	392	8 (18" X 26") 12 (12" X 18")	2.0 AMPS
	1962	959	1232	mm.				

- If a GFCI circuit is required, a GFCI Breaker Must be used instead of GFCI receptacle.
- Due to continuing engineering improvements, specifications are subject to change without notice.



The Signature of Quality®

FEDERAL INDUSTRIES

A Standex Company

215 Federal Avenue Belleville, Wisconsin 53508-9201

Phone: 800-356-4206

Fax: 608-424-3234

Email: Geninfo@Federalind.com

Website: Federalind.com