



a Standex company

Item _____

**SERIES '90
SELF-SERVE NON-REFRIG.
BAKERY CASE
MODEL SN-48-SS
SN-59-SS
SN-77-SS**



Series '90. The ultimate merchandiser with advanced styling for maximum visual appeal. Cases are available in lengths of 48", 59", and 77". Designed for continuous line-ups.

STANDARD FEATURES

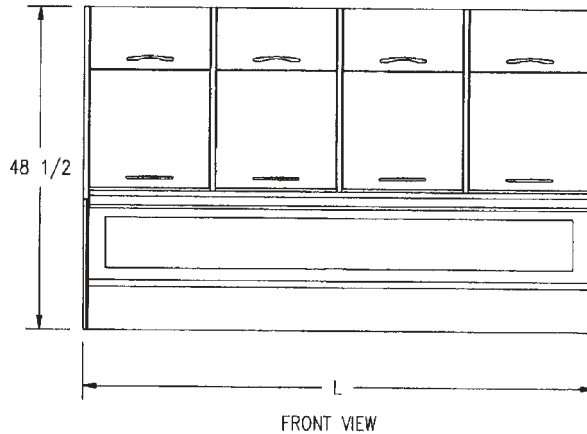
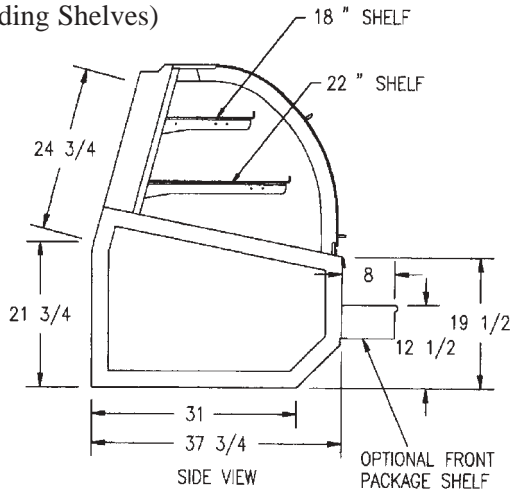
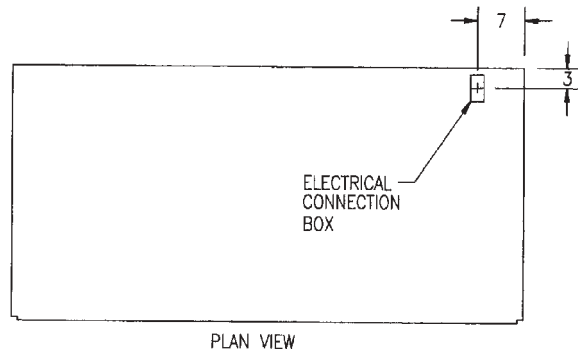
- Two tiers of adjustable white cantilevered wire shelves. Shelves are adjustable up and down and can also be tilted.
- Acrylic lift-up self-closing front doors. The 48" has two sets of doors, 59" has three sets, and the 77" has four sets of doors.
- Four point leveling system.
- Removable sliding rear doors, shelf lights, shelf supports, and shelves.
- Acrylic ends and glass rear doors. Rear doors are sloped for product access.
- Vent system to reduce heat build-up from the lights.
- Octron top light and shelf lights. Lights are shielded and independently wired.
- All-welded base construction with a choice of six standard laminates on base. Other color laminates optional.
- Easily accessible control panel with main power, auxiliary fan, and light control.
- Neutral beige acrylic PVC trim. Trim does not show scratches and is easy to clean.
- White display deck.
- UL Safety and UL Sanitation Listed.

SERIES '90

SELF-SERVE NON-REFRIGERATED BAKERY CASE

OPTIONAL ACCESSORIES:

- * Special Base Finish
- * Package Shelf w/Bag Holder and Tissue Dispenser
- * Light Below Package Shelf
- * Glass Shelves
- * Mirrored Ends
- * Reflective Rear Doors
- * Special Trim
- * Black Interior (Including Shelves)
- * Cord and Plug (NEMA 5-15)
- * Rear Wrapping Board
- * Casters (Cord and Plug Included)
- * Black or Gold Wire Shelves
- * Legs



SPECIFICATIONS:

Model	Dimensions			Shipping Weight (lbs)	Capacity (Bakery Pans)	Power 120/60/1
	L	W	H			
SN-48-SS	48 1/4"	37 3/4"	48 1/2"	750	2 (18" x 26") 8 (12" x 18") 1 (9" x 26")	2 AMPS
SN-59-SS	59 1/4"	37 3/4"	48 1/2"	775	7 (18" x 26")	2 AMPS
SN-77-SS	77 1/4"	37 3/4"	48 1/2"	1,050	4 (18" x 26") 12 (12" x 18")	2 AMPS



- Due to continuing engineering improvements, specifications are subject to change without notice.

Look to Federal for Innovative Merchandising



a Standex company

Federal Industries
A Standex Company
215 Federal Avenue
Belleville WI 53508-0290
Phone: 800-356-4206
Fax: 608-424-3234
Email: geninfo@federalind.com
Web Site: www.federalind.com