



The Signature of Quality®

FEDERAL INDUSTRIES

A Standex Company
215 Federal Avenue
Belleville, WI 53508-9201

Phone: 800-356-4206
Fax: 608-424-3234
Email: geninfo@federalind.com
Website: www.federalind.com

Project Name: _____

Item #: _____

Model #: _____ Qty: _____

Approval: _____

AIA#

SIS#

SERIES '90 REFRIGERATED BAKERY CASE

Series '90. The ultimate merchandiser with advanced styling for maximum visual appeal. Designed for continuous case line-ups.

MODEL	DIMENSIONS (Includes End Panels)
<input type="checkbox"/> SNR48SC	48.25 x 37.75 x 48.50 (in) 1226 x 959 x 1232 (mm)
<input type="checkbox"/> SNR59SC	59.25 x 37.75 x 48.50 (in) 1505 x 959 x 1232 (mm)
<input type="checkbox"/> SNR77SC	77.25 x 37.75 x 48.50 (in) 1962 x 959 x 1232 (mm)

STANDARD FEATURES

Model Features

- Lift-up pneumatic, cylinder-assisted, double-curve tempered front glass.
- Adjustable Leg Levelers
- Removable sliding rear doors, shelf lights, shelf supports, and shelves.
- Glass ends and rear doors. Rear doors are sloped for product access.
- All-welded base construction with a choice of six standard laminates on base. Other finishes optional.
- Easily accessible control panel with main power switch, light switch, digital thermometer, and adjustable temperature control.
- Base trim: specify white, black, or stainless.
- End glass trim: specify white or black.
- Double-bend tempered front glass reduces glare from outside lighting.
- Case height is only 48" high allowing better interaction between the customer and the sales clerk.
- White display deck.

Shelves

- Adjustable white cantilevered wire shelves. Shelves are adjustable up and down, and can also be tilted.

Refrigeration

- Condensate evaporator for a totally self-contained system.
- Average case temperature of 38° to 40°F is maintained without condensation on the front glass.
- Over-sized coil and low-velocity fan system maintains high humidity and product freshness.
- Pull-out condensing unit for quick and easy service.
- R513a Refrigerant.

Lighting

- Fluorescent top light and shelf lights. Lights are shielded and independently wired

Agency Approvals

- UL Safety and UL Sanitation listed
- DOE 2017 Compliant



SN59SC Shown

OPTIONAL ACCESSORIES

- Special Base Finish
- Base Trim Specify White, Black, or Stainless
- End Glass Trim Specify White or Black
- Black or Stainless Steel Interior
- Glass, Black, or Chrome
- Shelves in Lieu of White
- Casters or Legs
- Cord and Plug (Six Foot)
- Front Package Shelf With or Without Light Below
- Reflective End Glass
- Mirrored Interior Ends With Laminated Exterior
- Reflective Rear Doors
- Chocolate Case Modification
- Rear Wrapping Board
- Front Glass and Rear Door Locks
- Top Service Shelf (Stainless Steel or Glass)
- Condensate Pump



WARRANTY*
One year Parts and Labor
2nd thru 5th year part
only service compressor
(U.S.A and Canada)

Note: Information is subject to change at any time. Visit www.federalind.com for the most current specs.

AIA#

SERIES '90 REFRIGERATED BAKERY CASE

SIS#

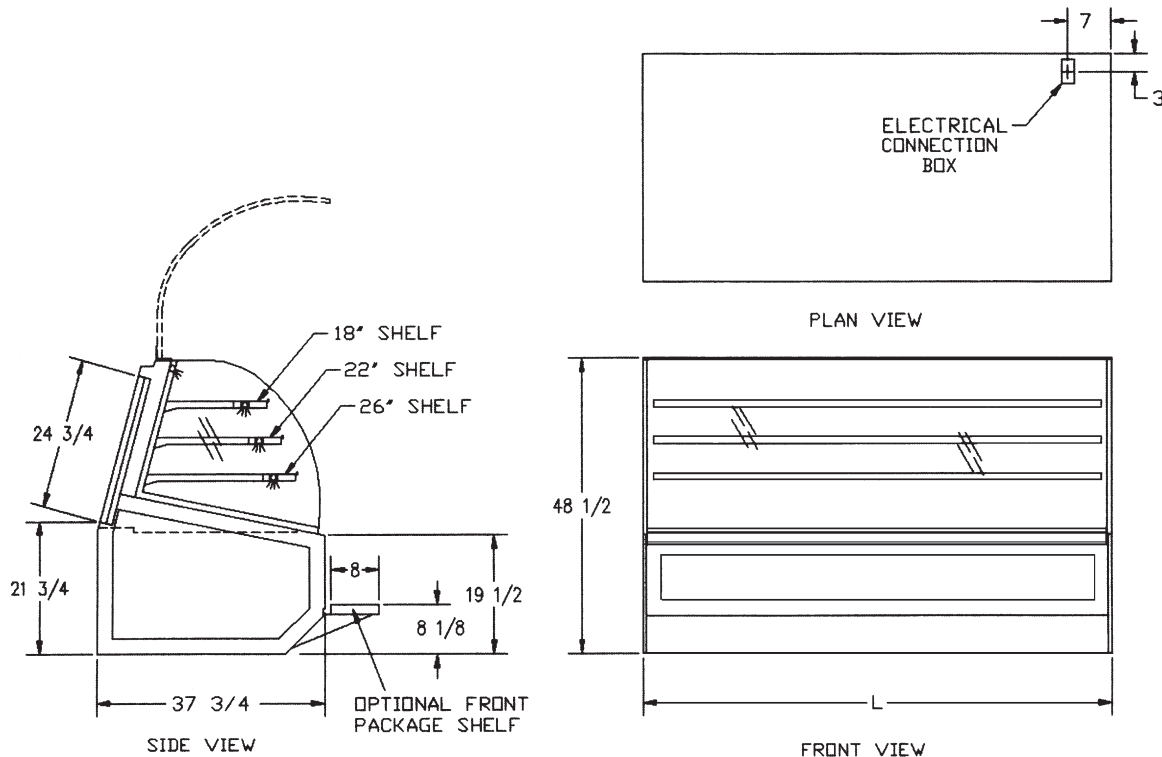
Product Specifications

Intended Environment: Type I - Designed to operate in maximum ambient conditions of 75°F (24°C) and 55% relative humidity unless noted otherwise in system information below.

Zone	Intended Product To Be Displayed	Avg Prod Temp °F/°C
All	Packaged Refrigerated Products	38°F / (3.3°C)

DIMENSION: xx"/(mm)

DIMENSION TOLERANCE +/- 0.25 (6.4)



MODEL	DIMENSIONS				SHIPPING WHT		CAPACITY (BAKERY PANS)	SELF CONTAINED 120/60/1 Permanently Connected	NEMA PLUG
	L	D	H1	UNITS	LBS	KILO			
SNR48SC	48.25	37.75	48.5	in.	750	340	4 (18" X 26") 8 (12" X 18") 2 (9" X 26")	1/2 HP - 12 AMPS	NEMA 5-15P
	1226	959	1232	mm.					
SNR59SC	59.25	37.75	48.5	in.	825	374	6 (18" X 26") 8 (12" X 18")	1/2 HP - 12 AMPS	NEMA 5-15P
	1505	959	1232	mm.					
SNR77SC	77.25	37.75	48.5	in.	1050	476	8 (18" X 26") 12 (12" X 18")	3/4 HP - 16 AMPS	NEMA 5-20P
	1962	959	1232	mm.					

- If a GFCI circuit is required, a GFCI Breaker Must be used instead of GFCI receptacle.
- Refrigerated cases are designed to operate in a maximum of 75°F (24°C) ambient and 55% relative humidity.
- Due to continuing engineering improvements, specifications are subject to change without notice.



The Signature of Quality®

FEDERAL INDUSTRIES

A Standex Company

215 Federal Avenue, Belleville, Wisconsin 53508-9201

Phone: 800-356-4206

Fax: 608-424-3234

Email: Geninfo@Federalind.com

Website: Federalind.com