



a Standex company

Item _____

MARKET SERIES NON-REFRIGERATED BAKERY CASE

MODEL **SQ-3B** **SQ-6B**
 SQ-4B **SQ-8B**
 SQ-5B



Panel base shown

*Market Bakery. The low profile merchandiser that provides solutions to your merchandising needs. Cases are available in lengths of 3', 4', 5', 6', and 8'.
Designed for continuous case line-ups without middle end glass.*

STANDARD FEATURES

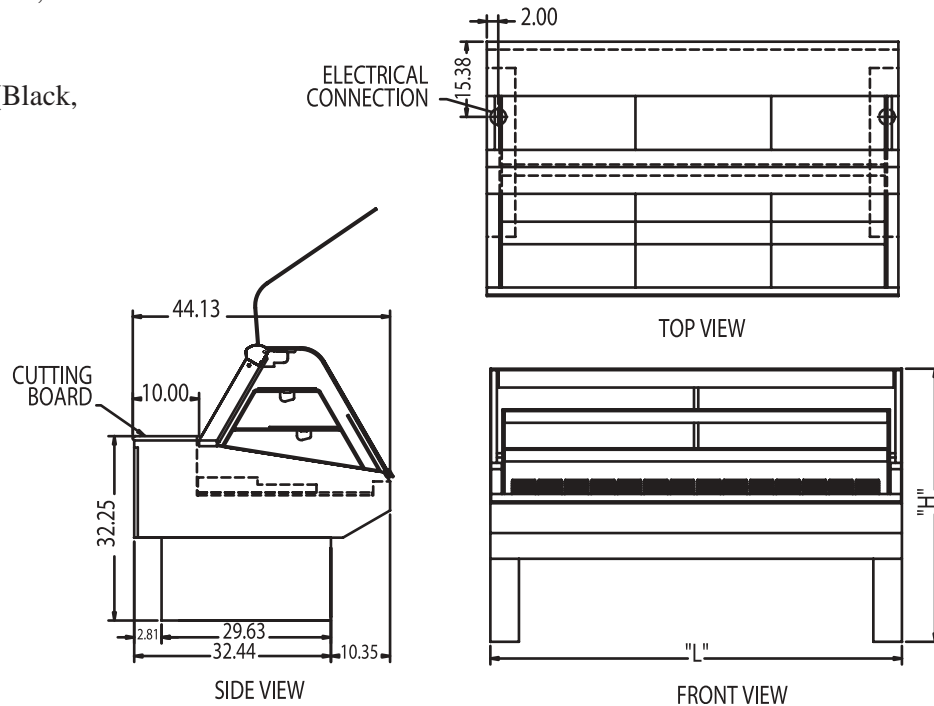
- Lift-up, pneumatic, cylinder-assisted curved front glass.
- Four-point leveling system.
- Rear work counter.
- Octron top light and shelf lights. Lights are shielded and independently wired.
- Two tiers tempered glass shelves.
- Pedestal or panel base design.
- Tempered front and end glass.
- Removable rear door assembly.
- Stainless steel interior and exterior finish.
- UL Safety and UL Sanitation Listed.
- Designed for continuous case line-ups.
- Full length, two step deck display risers.

MARKET SERIES

NON-REFRIGERATED BAKERY CASE

OPTIONAL ACCESSORIES:

- * Special Case Height (50" or 52")
- * Front Bumper Rail (Black, White, Green, Gray)
- * Reflective End Glass
- * Decorative End Panel (Black, White, Green, Gray)
- * Top Service Shelf
- * Accent Base Light
- * Promolux Lighting



SPECIFICATIONS:

Model	*Dimensions L W H	Approx. Shipping Weight (lbs)	**Remote 120/60/1
SQ-3B	36" x 44 1/8" x 32 1/4"	590	3 AMPS
SQ-4B	48" x 44 1/8" x 32 1/4"	745	3 AMPS
SQ-5B	60" x 44 1/8" x 32 1/4"	895	3 AMPS
SQ-6B	72" x 44 1/8" x 32 1/4"	935	3 AMPS
SQ-8B	96" x 44 1/8" x 32 1/4"	1,035	3 AMPS

- *Without decorative end panel.
- **Plus general receptacle 120V, 15 AMP. (2nd circuit required.)
- **When ordering, specify case line-up and pedestal or panel design.**
- Due to continuing engineering improvements, specifications are subject to change without notice.



Look to Federal for Innovative Merchandising

Federal Industries
A Standex Company
215 Federal Avenue
Belleville WI 53508-0290
Phone: 800-356-4206
Fax: 608-424-3234
Email: geninfo@federalind.com
Web Site: www.federalind.com

