



||| a Standex company

Item _____

SQ MARKET DELI™
HOT DELI CASE
MODEL SQ-3HD
SQ-4HD
SQ-6HD
SQ-8HD



Panel base shown

*Market Deli. The low profile merchandiser that provides solutions to your fresh food merchandising needs. Cases are available in lengths of 3', 4', 6', and 8'.
Designed for continuous case line-ups without middle end glass.*

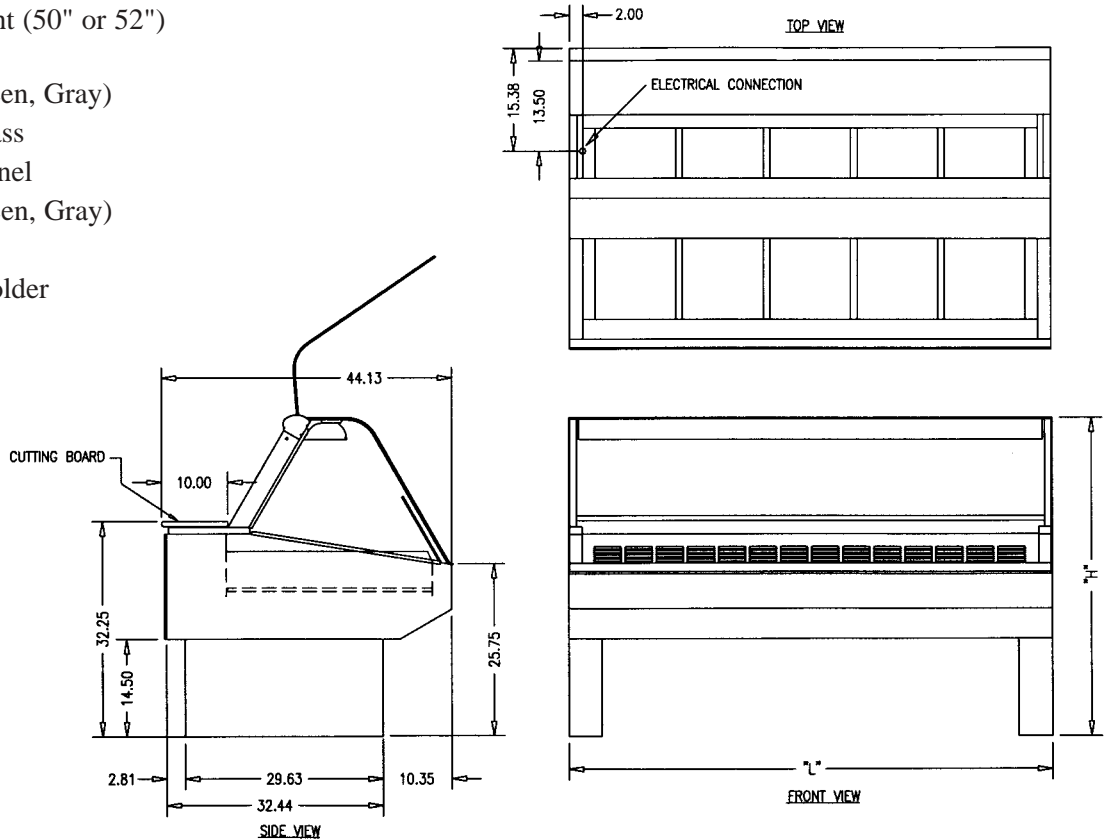
STANDARD FEATURES

- Lift-up, pneumatic, cylinder-assisted curved front glass.
- Four point leveling system.
- Rear work counter.
- Top-mounted heater and lights.
- Pedestal or panel base design.
- Tempered front and end glass.
- **Removable rear door assembly.**
- **Doors not required for operation.**
- Designed for continuous case line-ups.
- Stainless steel exterior and interior finish.
- Solid-state control panel with main power, light, zone well heaters, humidity and overhead heater settings. Panel also includes time and temperature readout.
- Zone heater controls.
- Appliance receptacle provided on back for cash register, scale, or slicer.
- Auto water fill.
- Humidified circulating air flow maintains ideal product moisture.
- UL & UL Sanitation Listed.
- Drain not required.

SQ MARKET DELI™ HOT DELI CASE

OPTIONAL ACCESSORIES:

- * Special Case Height (50" or 52")
- * Front Bumper Rail
(Black, White, Green, Gray)
- * Reflective End Glass
- * Decorative End Panel
(Black, White, Green, Gray)
- * Scale Stand
- * Food Container Holder
- * Top Service Shelf
- * Accent Base Light
- * Slicer Stand
- * Non-Glare Glass



SPECIFICATIONS:

Model	*Dimensions			Approx. Shipping Weight (lbs)	**AMPS 120/208-240/60/1 3 Wire Plus Ground	Water Connections	***Well Capacity
	L	W	H				
SQ-3HD	36"	44 1/8"	48"	375	10.3	1/2" NPT	2
SQ-4HD	48"	44 1/8"	48"	470	14.6	1/2" NPT	3
SQ-6HD	72"	44 1/8"	48"	710	22.6	1/2" NPT	5
SQ-8HD	96"	44 1/8"	48"	920	31.2	1/2" NPT	7

- *Without decorative end panel.
- **Plus general purpose receptacle 120V., 15 AMP. (2nd circuit required.) (N/A for Canadian Listings.)
- ***Each well holds a full-size pan and a third.
- **When ordering, specify case line-up and pedestal or panel design.**
- Due to continuing engineering improvements, specifications are subject to change without notice.



Look to Federal for Innovative Merchandising



a Standex company

Federal Industries
A Standex Company
215 Federal Avenue
Belleville WI 53508-0290
Phone: 800-356-4206
Fax: 608-424-3234
Email: geninfo@federalind.com
Web Site: www.federalind.com