



a Standex company

Item _____

MARKET SERIES REFRIGERATED BAKERY CASE

MODEL SQ-3CB SQ-6CB
 SQ-4CB SQ-8CB
 SQ-5CB



Panel base shown

*Market Bakery. The low profile merchandiser that provides solutions to your merchandising needs. Cases are available in lengths of 3', 4', 5', 6', and 8'.
Designed for continuous case line-ups without middle end glass.*

STANDARD FEATURES

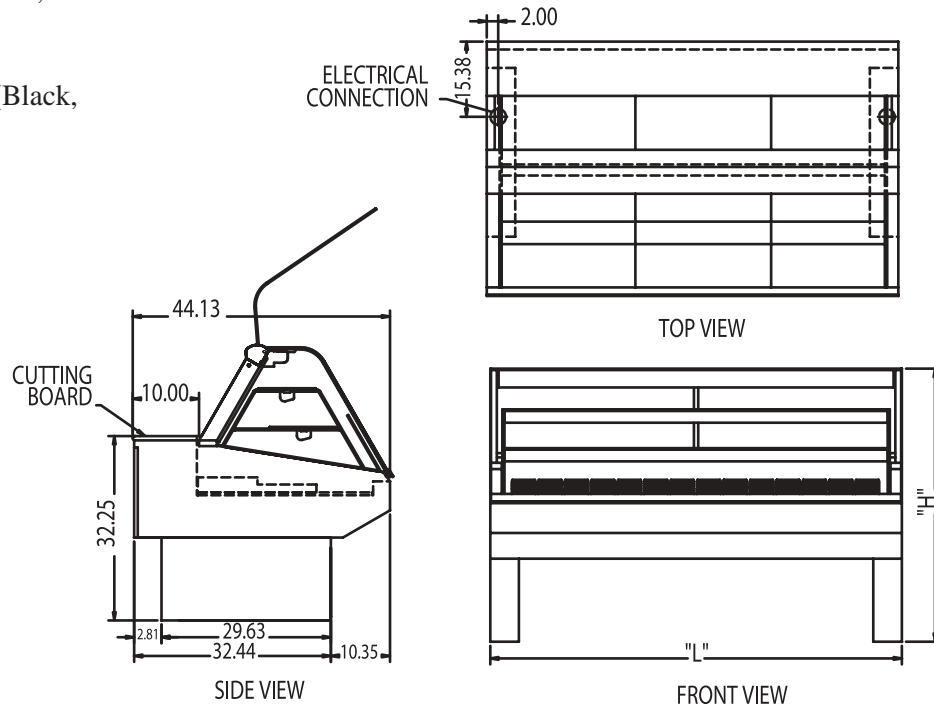
- Lift-up, pneumatic, cylinder-assisted curved front glass.
- Four-point leveling system.
- Rear work counter.
- Octron top light and shelf lights. Lights are shielded and independently wired.
- Two tiers tempered glass shelves.
- Pedestal or panel base design.
- Tempered front and end glass.
- **Removable rear door assembly. Doors not required for operation.**
- Stainless steel interior and exterior finish.
- Solid-state control panel with main power, light, and temperature readout: humidity control optional.
- Condensate evaporator provided for a totally self-contained system. Remote refrigeration available.
- **Average case temperature of 38° F to 40° F is maintained in the bottom display area. Glass shelves are non-refrigerated.**
- Oversized coil and low-velocity fan system maintains high humidity and product freshness.
- UL Safety and UL Sanitation Listed.
- Designed for continuous case line-ups.
- Full length, two step deck display risers.
- Appliance receptacle provided on back.

MARKET SERIES

REFRIGERATED BAKERY CASE

OPTIONAL ACCESSORIES:

- * Special Case Height (50" or 52")
- * Front Bumper Rail (Black, White, Green, Gray)
- * Reflective End Glass
- * Decorative End Panel (Black, White, Green, Gray)
- * Remote Refrigeration
- * Top Service Shelf
- * Humidity Control
- * Accent Base Light
- * Promolux Lighting



SPECIFICATIONS:

Model	*Dimensions L W H	Approx. Shipping Weight (lbs)	**Self-Contained 120/60/1	**Remote 120/60/1
SQ-3CB	36" x 44 1/8" x 48"	790	1/2 HP - 11.5 AMPS	6 AMPS
SQ-4CB	48" x 44 1/8" x 48"	795	1/2 HP - 13.8 AMPS	7 AMPS
SQ-5CB	60" x 44 1/8" x 48"	845	1/2 HP - 13.8 AMPS	7 AMPS
SQ-6CB	72" x 44 1/8" x 48"	1,135	1/2 HP - 14.8 AMPS	7 AMPS
SQ-8CB	96" x 44 1/8" x 48"	1,235	3/4 HP - 16.0 AMPS	8 AMPS

- *Without decorative end panel.
- **Plus general receptacle 120V, 15 AMP. (2nd circuit required.)
- **When ordering, specify case line-up and pedestal or panel design.**
- Refrigerated cases are designed to operate in an environment of 75° ambient and 55% relative humidity.
- Due to continuing engineering improvements, specifications are subject to change without notice.
- **Refrigerated bottom display deck, non-refrigerated shelves.**



Look to Federal for Innovative Merchandising

Federal Industries
A Standex Company
215 Federal Avenue
Belleville WI 53508-0290
Phone: 800-356-4206
Fax: 608-424-3234
Email: geninfo@federalind.com
Web Site: www.federalind.com

