

|                  |          |                   |
|------------------|----------|-------------------|
| Project          | Quantity | Item #            |
| Model Specified: |          | CSI Section 11400 |

## Reach-In/Pass-Thru Refrigerated-Heated Models/Self-Contained



Model RDH132WUT-HHS  
(shown with optional casters)



Stainless Exterior  
& Interior

Half Length Door Reach-In Model RDH132WUT-HHS  
Half Length Door Pass-Thru Model RDH132WPUT-HHS



Stainless Exterior,  
Anodized Alumi-  
num Interior

Half Length Door Reach-In Model ADH132WUT-HHS  
Half Length Door Pass-Thru Model ADH132WPUT-HHS

The R & A Series represent Traulsen's Top-of-the-Line product offering. The reach-in and pass-thru refrigerated/heated models are all designed to offer maximum interior storage capacity. Each is supplied standard with such high quality features as balanced refrigeration systems, microprocessor controls, communications ability and stainless steel exteriors. Additionally, they offer the widest range of optional accessories to choose from, and can be specified for use with many different applications, including: Foodservice, Correctional, Institutional, Export, etc.

## Standard Product Features

- R-Series: Stainless Steel Exterior & Interior
- A-Series: Stainless Steel Exterior/Anodized Aluminum Interior
- INTELA-TRAUL® Microprocessor Control System
- One-Time Start-Up Temperature Adjustment Feature & ON/OFF Switch (for heated compartment only)
- Balanced, Self-Contained Refrigeration System Using R-134a
- Half Length Stainless Steel Doors With Locks
- Self-Closing Doors With Stay Open Feature At 120 Degrees
- Guaranteed For Life Cam-Lift Hinges
- Guaranteed For Life Horizontal Work Flow Door Handle
- Standard Door Hinging: 132W = Right, F & R: 132WP = Right (other hings available)
- Automatically Activated Incandescent Lights
- Stainless Steel Breaker Caps
- Adjustable Wire Shelves (installed at the factory)
- Magnetic Snap-In Door Gaskets
- Gasket Protecting Metal Door Liner
- Controllable Anti-Condensate Door Perimeter Heaters
- Stainless Steel One-Piece Louver Assembly & Heater Guards
- 9' Cord & Plug Attached
- Set of Four (4) 6" High Adjustable Stainless Steel Legs
- One Year Parts And Labor Warranty
- Two Year Control Warranty (parts and labor)
- Five Year Compressor Warranty

## Options & Accessories

- Stainless Steel Finished Back With Rear Louvers (reach-in models only)
- Re-Hinging Feature For Door(s)
- No. 1 Type Tray Slides To Accommodate either (1) 18" x 26" or (2) 14" x 18" Sheet Pans, Adjustable To 2" O.C.
- No. 2 Type Tray Slides To Accommodate (1) 18" x 26" Sheet Pans, Adjustable To 2" O.C.
- No. 3 Type Tray Slides To Accommodate (2) 12" x 20" Steam Table Pans, Adjustable To 2" O.C.
- No. 4 Type Tray Slides To Accommodate (1) 18" x 26" Sheet Pans (chrome rod type, equips 1/2 section)
- Universal Type Tray Slides To Accommodate Either (1) 18" x 26" or (2) 14" x 18" Sheet Pans, or (2) 12" x 20" Steam Table Pans, Adjustable To 4" O.C.
- Additional Wire Shelves
- Locking Hasps (padlocks supplied by others)
- Export 220/50/1 Voltage
- Stainless Steel Shelves
- Kool Klad Exterior Laminate Decor
- Set of Four (4) 6" High Casters In Lieu of Legs
- Set of Four (4) 4-5/8" High Casters In Lieu of Legs
- 4-1/2" High Stainless Steel Base In Lieu of Legs
- 6" High Stainless Steel Kickplate (for use with standard legs)
- Prison/Correctional Facilities Options
- Remote Applications (see spec sheet TR35837 for details)
- Clear Glass Door(s) In Place Of One Or More Door(s)
- Two Year Service/Labor Warranty Available



Listed by Underwriters Laboratories Inc.,  
and classified by Underwriters Laboratories  
Inc., in accordance with ANSI/NSF7.

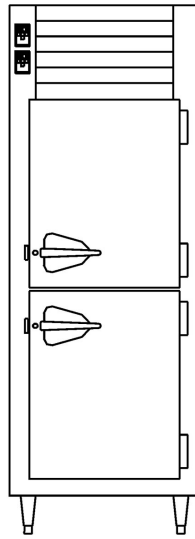
AW-03118

Approval: \_\_\_\_\_

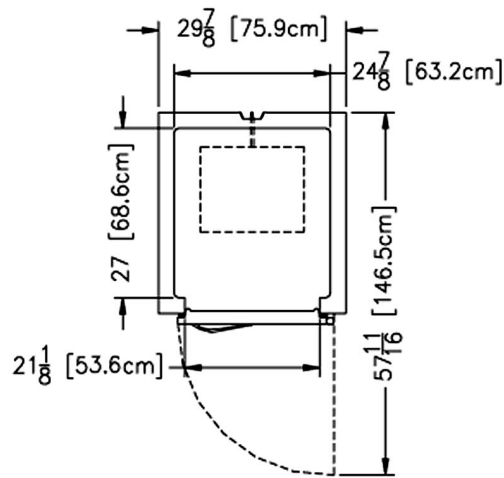


TRAULSEN  
4401 BLUE MOUND RD.  
PHONE 1 (800) 825-8220  
Website: www.traulsen.com

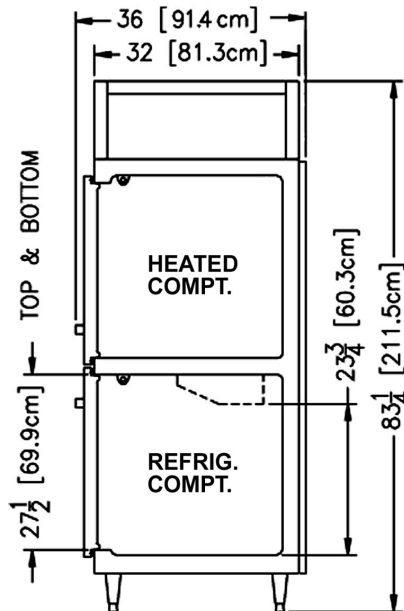
FT. WORTH, TX 76106  
FAX-MKTG. 1 (817) 624-4302



Elevation - R/ADH132WUT



Plan - R/ADH132WUT

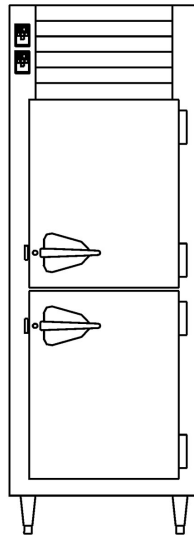


Section - R/ADH132WUT

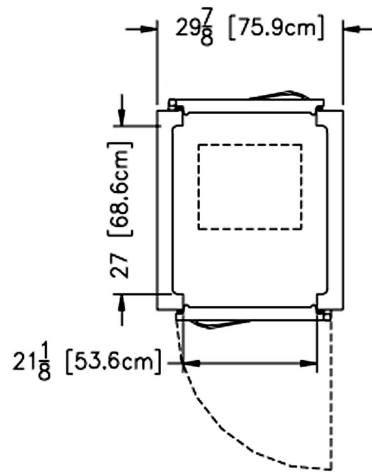
**TRAULSEN**  
 4401 BLUE MOUND RD.  
 PHONE 1 (800) 825-8220  
 Website: [www.traulsen.com](http://www.traulsen.com)

FT. WORTH, TX 76106  
 FAX-MKTG. 1 (817) 624-4302

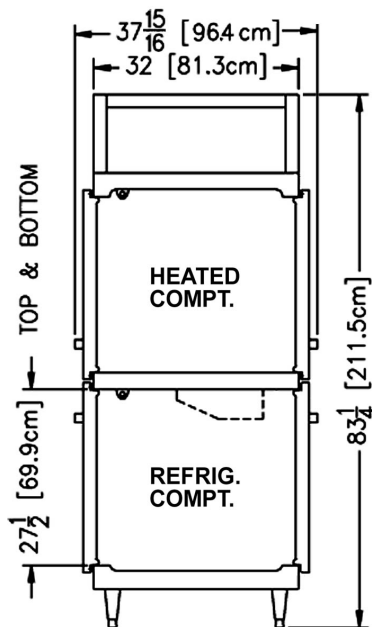




Elevation - R/ADH132WPUT



Plan - R/ADT132WPUT



Section - R/ADH132WPUT



**TRAULSEN**  
 4401 BLUE MOUND RD.  
 PHONE 1 (800) 825-8220  
 Website: [www.traulsen.com](http://www.traulsen.com)

FT. WORTH, TX 76106  
 FAX-MKTG. 1 (817) 624-4302

|                  |          |                   |
|------------------|----------|-------------------|
| Project          | Quantity | Item #            |
| Model Specified: |          | CSI Section 11400 |

## Specifications

### Construction, Hardware and Insulation

Cabinet exterior front, one piece sides, louver assembly and doors are constructed of 20 gauge stainless steel with #4 finish. Cabinet interior and door liners are constructed of stainless steel (anodized aluminum in the A-Series). The exterior cabinet top, and bottom are constructed of heavy gauge aluminized steel. The exterior cabinet back on reach-in models is constructed of heavy gauge aluminized steel. A set of four (4) adjustable 6" high stainless steel legs are included.

Doors are equipped with a gasket protecting metal door pan, removable plug cylinder locks and guaranteed for life cam-lift, gravity action, self-closing metal, glide hinges with stay open feature at 120 degrees. Hinges include a concealed switch to automatically activate the interior incandescent lighting. Guaranteed for life, work flow door handles are mounted horizontally over recess in door which limits protrusion from door face into aiseways. Doors have seamless, polished metal corners.

Easily removable for cleaning, vinyl magnetic door gasket assures tight door seal. Anti condensate heaters are located behind each door opening.

Both the cabinet and doors are insulated with an average of 2" thick high density, non-CFC, foamed in place polyurethane.

| DIMENSIONAL DATA                               | R/ADH132WUT                                | R/ADH132WPUT                               |
|--|--|--|
| Cabinet Type                                   | Reach-In                                   | Pass-Thru                                  |
| Net capacity total cu. ft.                     | 20.6 (584 cu l)                            | 20.6 (584 cu l)                            |
| Length - overall in.                           | 29 <sup>7</sup> / <sub>8</sub> (75.9 cm)   | 29 <sup>7</sup> / <sub>8</sub> (75.9 cm)   |
| Depth - overall in.                            | 35 (88.8 cm)                               | 37 <sup>15</sup> / <sub>16</sub> (96.4 cm) |
| Depth - over body in.                          | 32 (81.3 cm)                               | 32 (81.3 cm)                               |
| Depth - door(s) open 90° in.                   | 57 <sup>1</sup> / <sub>16</sub> (146.5 cm) | 83 <sup>3</sup> / <sub>8</sub> (211.8 cm)  |
| Clear door width in.                           | 21 <sup>1</sup> / <sub>8</sub> (53.6 cm)   | 21 <sup>1</sup> / <sub>8</sub> (53.6 cm)   |
| Clear half-door height in.                     | 27 <sup>1</sup> / <sub>2</sub> (69.9 cm)   | 27 <sup>1</sup> / <sub>2</sub> (69.9 cm)   |
| Height - overall on 6" legs                    | 83 <sup>3</sup> / <sub>4</sub> (211.5 cm)  | 83 <sup>3</sup> / <sub>4</sub> (211.5 cm)  |
| No. Standard Shelves                           | 2  | 2  |
| Shelf area total sq. ft. <sup>1</sup>          | 28.0 (2.6 sq m)                            | 28.0 (2.6 sq m)                            |
| Shelf area refrigerator. sq. ft. <sup>1</sup>  | 14.0 (1.3 sq m)                            | 14.0 (1.3 sq m)                            |
| Shelf area heated section sq. ft. <sup>1</sup> | 14.0 (1.3 sq m)                            | 14.0 (1.3 sq m)                            |
| RDH Net Wt. lbs.                               | 380 (172 kg)                               | 405 (184 kg)                               |
| ADH Net Wt. lbs.                               | 330 (150 kg)                               | 355 (161 kg)                               |
| ELECTRICAL DATA                                |  |  |
| Voltage  | 208/115/60/1                               | 208/115/60/1                               |
| Feed wires with Ground                         | 4  | 4  |
| Wattage @ 208V                                 | 1500                                       | 1500                                       |
| Full load amperes                              | 11.0                                       | 11.0                                       |
| REFRIGERATION DATA                             |  |  |
| Refrigerant                                    | R-134a                                     | R-134a                                     |
| BTU/HR H.P. <sup>2</sup>                       | 2220 (1/8 HP)                              | 2220 (1/8 HP)                              |

#### NOTES

NOTE: Figures in parentheses reflect metric equivalents.

- 1= Area of standard shelf complement only, does not include storage area of additional shelves or available on cabinet bottom.
- 2= Based on a 90 degree F ambient and 20 degree F evaporator.
- 3= For approximate remote weights deduct 40 lbs. from respective net or gross weight. For other information on remote models, please refer to spec sheet TR35837.

**NOTE: When ordering please specify: Voltage, Hinging, Door Size, Options and any additional warranties.**

Continued product development may necessitate specification changes without notice.  
Part No. TR35784 (revised 1/10)

### Refrigeration System

A top mounted, self-contained, balanced refrigeration system using R-134a refrigerant is conveniently located behind the one piece louver assembly. These models feature an easy to clean front facing condenser, thermostatic expansion valve, air-cooled hermetic compressor, plenum electric blower coil, large, high humidity evaporator coil, and a bottom mounted electric condensate evaporator.

Biased return air duct protects against introduction of warm kitchen air, promoting even temperature maintenance and efficient operation.

A 9' cord and plug is provided standard. Standard operating temperatures are 34 to 38°F for the refrigerator compartment and 135 to 180°F for the heated compartment.

### Heating System

A low watt density, serpentine style, heater is employed for the generation of electric heat. Low velocity air is forced across its large surface area to efficiently move heat radiating away from these through a down-air distribution duct, where it is then evenly distributed throughout the cabinet, assuring the proper holding environment for hot food product, without drying. A vent, located at the top of the cabinet, is included for positive humidity control.

### Controller

The easy to use water resistant INTELA-TRAUL® microprocessor control system is supplied standard. Unit is NAFEM Data Protocol communication (NDP) ready. Optional hardware required to be NDP compliant. Third party software required for network connection. It includes a 3-Digit LED Display, Fahrenheit or Celsius Temperature Scale Display Capability, and an RS485 data port. In addition it includes audio/visual alarms for: Hi/Lo Cabinet Temperature, Door Open, Clean Condenser, Evaporator Coil and Discharge Line Sensor Failures, and Power Supply Interruption. A separate control is provided for both the refrigerated and heated compartments.

### Interior

Standard interior arrangements include three (3) wire shelves per section, mounted on pilasters. Shelves are full-width, and do not have any large gaps between them requiring the use of "bridge" or "junior shelves." Recommended load limit per shelf should not exceed 225 lbs. Optional tray slides may be purchased in combination with, or in lieu of these. Both standard and optional interior arrangements are completely installed at the factory.

### Warranties

Both a one year parts and labor warranty and a five year compressor warranty (self-contained models only) are provided standard. An optional 2<sup>nd</sup> year extended parts and labor warranty is also available. In addition the INTELA-TRAUL® controls are warranted by a two year parts and labor warranty.



**Equipped With One NEMA L14-20P Plug**

NOTE: Full load amps and plug style may vary depending on electrical options chosen and condensing unit employed.

#### REQUIRED CLEARANCES

In order to assure optimum performance, the condensing unit **MUST** have an adequate supply of air for cooling purposes. Therefore, the operating location must either have a minimum of 12" clearance overhead of the condensing unit or allow for unrestricted air flow at the back of the unit. Clearance of at least 12" above is required in order to perform certain maintenance tasks.

**TRAULSEN**  
4401 BLUE MOUND RD.  
PHONE 1 (800) 825-8220  
Website: [www.traulsen.com](http://www.traulsen.com)

FT. WORTH, TX 76106  
FAX-MKTG. 1 (817) 624-4302



# Remote Refrigeration Data

Refer to the below chart to determine the following remote characteristics: Voltage, Amps, BTU's, Refrigerant, and if the following components are included: Condensate Evaporator, Solenoid, Expansion Valve and Temperature Control.

| Model No.     | Voltage  | Amps | BTU @ 90°F Ambient<br>and Evap. Temp. | Cond. Evap. |        | Solenoid | Exp. Valve | Temp Control   |
|---------------|----------|------|---------------------------------------|-------------|--------|----------|------------|----------------|
|               |          |      |                                       | Refrig't    | Yes/No | Yes/No   | Yes/No     |                |
| G10000, etc.  | 115/60/1 | 4.1  | 1520 @ +20°F Evap                     | R-134a      | Yes    | Yes      | Yes        | Microprocessor |
| G10002P, etc. | 115/60/1 | 4.1  | 1520 @ +20°F Evap                     | R-134a      | Yes    | Yes      | Yes        | Microprocessor |
| G11000, etc.  | 115/60/1 | 4.1  | 2410 @ +20°F Evap                     | R-134a      | Yes    | Yes      | Yes        | Microprocessor |
| G11002P, etc. | 115/60/1 | 4.1  | 2400 @ +20°F Evap                     | R-134a      | Yes    | Yes      | Yes        | Microprocessor |
| G12010, etc.  | 115/60/1 | 10.6 | 1930 @ -10°F Evap                     | R-404A      | Yes    | Yes      | Yes        | Microprocessor |
| G20000, etc.  | 115/60/1 | 5.2  | 2410 @ +20°F Evap                     | R-134a      | Yes    | Yes      | Yes        | Microprocessor |
| G20004P, etc. | 115/60/1 | 5.2  | 2410 @ +20°F Evap                     | R-134a      | Yes    | Yes      | Yes        | Microprocessor |
| G21000, etc.  | 115/60/1 | 5.2  | 4160 @ +20°F Evap                     | R-134a      | Yes    | Yes      | Yes        | Microprocessor |
| G21004P, etc. | 115/60/1 | 5.2  | 4160 @ +20°F Evap                     | R-134a      | Yes    | Yes      | Yes        | Microprocessor |
| G22010, etc.  | 115/60/1 | 13.2 | 3080 @ -10°F Evap                     | R-404A      | Yes    | Yes      | Yes        | Microprocessor |
| G30000, etc.  | 115/60/1 | 5.2  | 3780 @ +20°F Evap                     | R-134a      | Yes    | Yes      | Yes        | Microprocessor |
| G31010, etc.  | 115/60/1 | 13.2 | 4710 @ -10°F Evap                     | R-404A      | Yes    | Yes      | Yes        | Microprocessor |
| G31310, etc.  | 115/60/1 | 13.2 | 4710 @ -10°F Evap                     | R-404A      | Yes    | Yes      | Yes        | Microprocessor |
| G32000, etc.  | 115/60/1 | 5.2  | 5330 @ +20°F Evap                     | R-134a      | Yes    | Yes      | Yes        | Microprocessor |
| R/AHT132W     | 115/60/1 | 1.5  | 2400 @ +20°F Evap                     | R-134a      | No     | Yes      | Yes        | Intela-Traul   |
| R/AHT132EW    | 115/60/1 | 1.5  | 2400 @ +20°F Evap                     | R-134a      | No     | Yes      | Yes        | Intela-Traul   |
| R/AHT232W     | 115/60/1 | 2.0  | 4360 @ +20°F Evap                     | R-134a      | No     | Yes      | Yes        | Intela-Traul   |
| R/AHT332W     | 115/60/1 | 2.5  | 4360 @ +20°F Evap                     | R-134a      | No     | Yes      | Yes        | Intela-Traul   |
| R/AHT232N     | 115/60/1 | 2.0  | 4360 @ +20°F Evap                     | R-134a      | No     | Yes      | Yes        | Intela-Traul   |
| R/AHT332N     | 115/60/1 | 2.5  | 4360 @ +20°F Evap                     | R-134a      | No     | Yes      | Yes        | Intela-Traul   |
| R/AHT126W     | 115/60/1 | 1.5  | 2400 @ +20°F Evap                     | R-134a      | No     | Yes      | Yes        | Intela-Traul   |
| R/AHT226W     | 115/60/1 | 2.0  | 2400 @ +20°F Evap                     | R-134a      | No     | Yes      | Yes        | Intela-Traul   |
| R/AHT132D     | 115/60/1 | 1.5  | 2400 @ +20°F Evap                     | R-134a      | No     | Yes      | Yes        | Intela-Traul   |
| R/AHT232D     | 115/60/1 | 2.0  | 4360 @ +20°F Evap                     | R-134a      | No     | Yes      | Yes        | Intela-Traul   |
| R/AHT132WP    | 115/60/1 | 2.0  | 2400 @ +20°F Evap                     | R-134a      | No     | Yes      | Yes        | Intela-Traul   |
| R/AHT232WP    | 115/60/1 | 2.5  | 4360 @ +20°F Evap                     | R-134a      | No     | Yes      | Yes        | Intela-Traul   |
| R/AHT332WP    | 115/60/1 | 3.0  | 4360 @ +20°F Evap                     | R-134a      | No     | Yes      | Yes        | Intela-Traul   |
| R/AHT232NP    | 115/60/1 | 2.5  | 4360 @ +20°F Evap                     | R-134a      | No     | Yes      | Yes        | Intela-Traul   |
| R/AHT332NP    | 115/60/1 | 3.0  | 4360 @ +20°F Evap                     | R-134a      | No     | Yes      | Yes        | Intela-Traul   |
| R/AHT126WP    | 115/60/1 | 2.0  | 2400 @ +20°F Evap                     | R-134a      | No     | Yes      | Yes        | Intela-Traul   |
| R/AHT226WP    | 115/60/1 | 2.5  | 2400 @ +20°F Evap                     | R-134a      | No     | Yes      | Yes        | Intela-Traul   |
| R/ALT132W     | 115/60/1 | 7.5  | 2160 @ -20°F Evap                     | R-404A      | No     | Yes      | Yes        | Intela-Traul   |
| R/ALT232W     | 115/60/1 | 10.0 | 3790 @ -20°F Evap                     | R-404A      | No     | Yes      | Yes        | Intela-Traul   |
| R/ALT332W     | 115/60/1 | 11.0 | 5220 @ -20°F Evap                     | R-404A      | No     | Yes      | Yes        | Intela-Traul   |
| R/ALT232N     | 115/60/1 | 10.0 | 3790 @ -20°F Evap                     | R-404A      | No     | Yes      | Yes        | Intela-Traul   |
| R/ALT332N     | 115/60/1 | 11.0 | 5220 @ -20°F Evap                     | R-404A      | No     | Yes      | Yes        | Intela-Traul   |
| R/ALT126W     | 115/60/1 | 4.0  | 1980 @ -20°F Evap                     | R-404A      | No     | Yes      | Yes        | Intela-Traul   |
| R/ALT226W     | 115/60/1 | 7.5  | 3790 @ -20°F Evap                     | R-404A      | No     | Yes      | Yes        | Intela-Traul   |
| R/ALT132D     | 115/60/1 | 6.0  | 2160 @ -20°F Evap                     | R-404A      | No     | Yes      | Yes        | Intela-Traul   |
| R/ALT232D     | 115/60/1 | 10.0 | 3790 @ -20°F Evap                     | R-404A      | No     | Yes      | Yes        | Intela-Traul   |
| R/ARI132L     | 115/60/1 | 2.0  | 2400 @ +20°F Evap                     | R-134a      | No     | Yes      | Yes        | Intela-Traul   |
| R/ARI232L     | 115/60/1 | 3.0  | 4360 @ +20°F Evap                     | R-134a      | No     | Yes      | Yes        | Intela-Traul   |
| R/ARI332L     | 115/60/1 | 4.0  | 5330 @ +20°F Evap                     | R-134a      | No     | Yes      | Yes        | Intela-Traul   |
| R/ARI132LP    | 115/60/1 | 3.0  | 2400 @ +20°F Evap                     | R-134a      | No     | Yes      | Yes        | Intela-Traul   |
| R/ARI232LP    | 115/60/1 | 4.0  | 4360 @ +20°F Evap                     | R-134a      | No     | Yes      | Yes        | Intela-Traul   |
| R/ARI332LP    | 115/60/1 | 5.0  | 5330 @ +20°F Evap                     | R-134a      | No     | Yes      | Yes        | Intela-Traul   |
| R/ARI132H     | 115/60/1 | 2.0  | 2400 @ +20°F Evap                     | R-134a      | No     | Yes      | Yes        | Intela-Traul   |
| R/ARI232H     | 115/60/1 | 3.0  | 4360 @ +20°F Evap                     | R-134a      | No     | Yes      | Yes        | Intela-Traul   |
| R/ARI332H     | 115/60/1 | 4.0  | 5330 @ +20°F Evap                     | R-134a      | No     | Yes      | Yes        | Intela-Traul   |
| R/AIF132L     | 115/60/1 | 7.5  | 2160 @ -20°F Evap                     | R-404A      | No     | Yes      | Yes        | Intela-Traul   |
| R/AIF232L     | 115/60/1 | 11.0 | 5220 @ -20°F Evap                     | R-404A      | No     | Yes      | Yes        | Intela-Traul   |
| R/AIF332L     | 208/115  | 12.0 | 7580 @ -20°F Evap                     | R-404A      | No     | Yes      | Yes        | Intela-Traul   |



TRAULSEN  
4401 BLUE MOUND RD.  
PHONE 1 (800) 825-8220  
Website: www.traulsen.com

FT. WORTH, TX 76106  
FAX-MKTG. 1 (817) 624-4302

# Remote Refrigeration Data

| Model No.  | Voltage       | Amps | BTU @ 90°F Ambient<br>and Evap. Temp.      | Cond. Evap.      |        | Solenoid<br>Yes/No | Exp. Valve<br>Yes/No | Temp Control |
|------------|---------------|------|--|------------------|--------|--------------------|----------------------|--------------|
|            |               |      |  | Refrigt          | Yes/No |                    |                      |              |
| R/ACV132W  | 115/60/1      | 7.5  | 2160 @ -10°F Evap                          | R-404A           | No     | Yes                | Yes                  | No           |
| R/ACV232W  | 115/60/1      | 10.0 | 1870 @ -10°F Evap                          | R-404A           | No     | Yes                | Yes                  | No           |
| R/ADT132EW | 115/60/1      | 6.5  | F-1850 @ -20°F Evap<br>R-1130 @ +20°F Evap | R-404A<br>R-134a | No     | Yes                | Yes                  | Intela-Traul |
| R/ADT132W  | 115/60/1      | 6.5  | F-1850 @ -20°F Evap<br>R-1130 @ +20°F Evap | R-404A<br>R-134a | No     | Yes                | Yes                  | Intela-Traul |
| R/ADT232W  | 115/60/1      | 8.0  | F-2170 @ -20°F Evap<br>R-1730 @ -20°F Evap | R-404A<br>R-134a | No     | Yes                | Yes                  | Intela-Traul |
| R/ADT332W  | 115/60/1      | 9.0  | F-2160 @ -20°F Evap<br>R-4360 @ +20°F Evap | R-404A<br>R-134a | No     | Yes                | Yes                  | Intela-Traul |
| R/ADT232N  | 115/60/1      | 8.0  | F-2170 @ -20°F Evap<br>R-1730 @ +20°F Evap | R-404A<br>R-134a | No     | Yes                | Yes                  | Intela-Traul |
| R/ADT332N  | 115/60/1      | 9.0  | F-2160 @ -20°F Evap<br>R-4360 @ +20°F Evap | R-404A<br>R-134a | No     | Yes                | Yes                  | Intela-Traul |
| R/ADT132D  | 115/60/1      | 6.5  | F-1850 @ -20°F Evap<br>R-1130 @ +20°F Evap | R-404A<br>R-134a | No     | Yes                | Yes                  | Intela-Traul |
| R/ADT232D  | 115/60/1      | 6.5  | F-1850 @ -20°F Evap<br>R-1130 @ +20°F Evap | R-404A<br>R-134a | No     | Yes                | Yes                  | Intela-Traul |
| RDH232W    | 208/115-1-60  | 10.0 | 2400 @ +20°F Evap                          | R-134a           | No     | Yes                | Yes                  | Intela-Traul |
| RDH232WP   | 208/115-1-60  | 10.0 | 2400 @ +20°F Evap                          | R-134a           | No     | Yes                | Yes                  | Intela-Traul |
| RRI264L    | 115/60/1      | 4.0  | 2 X 4360 @ +20°F Evap                      | R-134a           | No     | Yes                | Yes                  | Intela-Traul |
| RRI364L    | 115/60/1      | 8.0  | 2 X 5330 @ +20°F Evap                      | R-134a           | No     | Yes                | Yes                  | Intela-Traul |
| RRI264LP   | 115/60/1      | 4.0  | 2 X 4360 @ +20°F Evap                      | R-134a           | No     | Yes                | Yes                  | Intela-Traul |
| RRI364LP   | 115/60/1      | 8.0  | 2 X 5330 @ +20°F Evap                      | R-134a           | No     | Yes                | Yes                  | Intela-Traul |
| RIF264L    | 208/115/60/1* | 12.0 | 10,440 @ -20°F Evap                        | R-404A           | No     | Yes                | Yes                  | Intela-Traul |
| RIF364L    | 208/115/60/1* | 14.0 | 15,160 @ -20°F Evap                        | R-404A           | No     | Yes                | Yes                  | Intela-Traul |
| RHT232NSL  | 115/60/1      | 6.5  | 5330 @ +20°F Evap                          | R-134a           | No     | Yes                | Yes                  | Intela-Traul |
| RHT232NHG  | 115/60/1      | 2.0  | 4360 @ +20°F Evap                          | R-134a           | No     | Yes                | Yes                  | Intela-Traul |
| TE036HR    | 115/60/1      | 3.2  | 2370 @ +20°F Evap                          | R-404A           | Yes    | Yes                | Yes                  | Intela-Traul |
| TE048HR    | 115/60/1      | 3.3  | 2370 @ +20°F Evap                          | R-404A           | Yes    | Yes                | Yes                  | Intela-Traul |
| TE060HR    | 115/60/1      | 3.5  | 2370 @ +20°F Evap                          | R-404A           | Yes    | Yes                | Yes                  | Intela-Traul |
| TE065HR    | 115/60/1      | 3.5  | 2370 @ +20°F Evap                          | R-404A           | Yes    | Yes                | Yes                  | Intela-Traul |
| TE072HR    | 115/60/1      | 3.6  | 2370 @ +20°F Evap                          | R-404A           | Yes    | Yes                | Yes                  | Intela-Traul |
| TE084HR    | 115/60/1      | 3.7  | 2370 @ +20°F Evap                          | R-404A           | Yes    | Yes                | Yes                  | Intela-Traul |
| TE096HR    | 115/60/1      | 3.9  | 4090 @ +20°F Evap                          | R-404A           | Yes    | Yes                | Yes                  | Intela-Traul |
| TE110HR    | 115/60/1      | 4.0  | 4090 @ +20°F Evap                          | R-404A           | Yes    | Yes                | Yes                  | Intela-Traul |
| TU044HR    | 115/60/1      | 3.3  | 3080 @ +20°F Evap                          | R-404A           | Yes    | Yes                | Yes                  | Intela-Traul |
| TU072HR    | 115/60/1      | 3.7  | 3080 @ +20°F Evap                          | R-404A           | Yes    | Yes                | Yes                  | Intela-Traul |
| TU100HR    | 115/60/1      | 3.9  | 3080 @ +20°F Evap                          | R-404A           | Yes    | Yes                | Yes                  | Intela-Traul |
| TS048HR    | 115/60/1      | 9.8  | 3300 @ +10°F Evap                          | R-404A           | Yes    | Yes                | Yes                  | Intela-Traul |
| TS066HR    | 115/60/1      | 10.2 | 3870 @ +10°F Evap                          | R-404A           | Yes    | Yes                | Yes                  | Intela-Traul |
| TS072HR    | 115/60/1      | 10.2 | 3870 @ +10°F Evap                          | R-404A           | Yes    | Yes                | Yes                  | Intela-Traul |
| TS090HR    | 115/60/1      | 10.4 | 3870 @ +10°F Evap                          | R-404A           | Yes    | Yes                | Yes                  | Intela-Traul |

## NOTES:

- 1) Remote INTELA-TRAUL® equipped units do not require use of a temperature control.
- 2) Cord and plug are not supplied with remote units.
- 3) Listed BTU rating shown is the required BTU's delivered to the unit at the evaporator coil.
- 4) Compressor HP not supplied by Traulsen. Compressor size should be determined by a qualified refrigeration technician based on the delivered BTU rating at the unit and actual jobsite requirements.
- 5) To determine approximate remote model weights, please deduct 40 lbs. from the respective self-contained models net or gross weight.
- 6) Standard Traulsen five year compressor warranty does not apply to remote units.
- 7) Condensate Removal: except where noted above, all remote models require provisions to be made to allow for condensate removal. As supplied standard, these models include only a drain tube exiting the evaporator compartment on top of the cabinet from which condensate will drip. Optional condensate removal provisions include a drain line extended down the cabinet back (n/a for pass-thru or roll-thru models) or optional Top-Mounted Electric Condensate Evaporator.  
**Note:** provision of the first option will add approximately 7/8" to the overall cabinet depth, while the latter will add approximately 1.5 amps to the cabinets full load amp rating. Cabinets built with optional TMCE's or BMCE's include arrangements to allow for these to be plugged directly into the unit.
- 8) Traulsen does not recommend the use of casters with remote models (legs supplied standard on G-Series remote units).
- 9) Refrigeration connections provided are 1/4" O.D. for the liquid line and either 1/2" or 3/4" O.D. for the suction line, no other connections are required.
- 10) The solenoid valve provided is wired at the factory directly to the control, and so no electrical connections are required between the unit and remote compressor.

Continued product development may necessitate specification changes without notice.

Part No. TR35837 (revised 1/13)

TRAULSEN  
4401 BLUE MOUND RD.  
PHONE 1 (800) 825-8220  
Website: www.traulsen.com

FT. WORTH, TX 76106  
FAX-MKTG. 1 (817) 624-4302

