

Project	Quantity	Item #
Model Specified:		CSI Section 11400

### Pass-Thru Refrigerator Models/ Self-Contained

New  
"Wide Door"  
Design



Model RHT132NPUT-HHS

One Section "N-Width" Models, 32" Deep



Full Length Door Model RHT132NPUT-FHS  
Half Length Door Model RHT132NPUT-HHS



Full Length Door Model AHT132NPUT-FHS  
Half Length Door Model AHT132NPUT-HHS

The R & A Series "N-Width" refrigerator models are designed to offer maximum storage capacity within a slightly narrower left to right footprint. They are supplied standard with all the Traulsen top of the line features, such as balanced refrigeration systems, next generation INTELA-TRAUL® controls, and stainless steel exteriors.

### Standard Features

- R-Series: Stainless Steel Exterior & Interior
- A-Series: Stainless Steel Exterior/Anodized Aluminum Interior
- INTELA-TRAUL® Microprocessor Control System
- Full or Half Length Stainless Steel Doors With Lock
- Self-Closing Door With Stay Open Feature At 120 Degrees
- Guaranteed For Life Cam-Lift Hinges
- Guaranteed For Life Horizontal Work Flow Door Handle
- Automatically Activated Incandescent Lights
- Stainless Steel Breaker Caps
- Three Chrome Plated Adjustable Shelves
- Automatic, Non-Electric Condensate Evaporator
- Magnetic Snap-In Door Gaskets
- Set Of Four (4) 6" High Stainless Steel Adjustable Legs
- Cord & Plug Attached
- 1 Year Parts And Labor Warranty
- 5 Year Compressor Warranty

### The INTELA-TRAUL® Microprocessor Control System



#### KEY FEATURES

- 3-Digit LED Display
- Temperature Monitoring
- Internal Time Clock
- 72 Hour Data Storage
- °F or °C Temperature Display Capability
- Visual & Audible Alarm Warnings For:
  - (1) Hi/Lo Cabinet Temperature,
  - (2) Evaporator Coil Sensor Failure,
  - (3) Clogged Filter-Clean Condenser,
  - (4) Discharge Line Sensor Failure,
  - (5) Power Supply Interruption,
  - (6) Door Open (cycles and time)

### Options & Accessories

- Stainless Steel Finished Back With Rear Louvers
- Set of Four (4) Heavy Duty 6" High Casters
- Additional Chrome Plated Shelves
- Hinged Glass Doors (model number changes to FHG or HHG)
- Export 220/50/1 Voltage
- Stainless Steel Shelves
- Decorative Kool Klad Decor
- Two Year Service/Labor Warranty Available



Listed by Underwriters Laboratories Inc.,  
and classified by Underwriters Laboratories  
Inc., in accordance with ANSI/NSF7.

AW-03118

Approval: \_\_\_\_\_



TRAULSEN & CO., INC.  
4401 BLUE MOUND RD.  
PHONE 1 (800) 825-8220  
Website: www.traulsen.com

FT. WORTH, TX 76106  
FAX-MKTG. 1 (817) 624-4302

SECTION  
1-21

Project	Quantity	Item #
Model Specified:		CSI Section 11400

## Specifications

### Construction, Hardware and Insulation

Cabinet exterior, including front, one piece sides, louver assembly and doors are constructed of heavy gauge stainless steel. Cabinet interior and door liners are constructed of stainless steel (anodized aluminum in A-Series). Exterior cabinet top and bottom are constructed of heavy gauge aluminum steel. A set of four (4) 6" high stainless steel adjustable legs is included.

Doors are equipped with removable plug cylinder locks and guaranteed for life cam-lift, gravity action, self-closing metal, glide hinges with stay open feature at 120 degrees. Hinges include a switch to automatically activate the interior incandescent lighting. Guaranteed for life, work flow door handle is mounted horizontally over recess in door which limits protrusion from door face into aiseways.

Easily removable for cleaning, vinyl magnetic door gasket assures tight door seal. Anti condensate heaters are located behind each door opening.

Cabinet and doors contain high density, non-CFC, foamed in place polyurethane insulation.

DIMENSIONAL DATA	R/AHT132NPUT
Net capacity cu. ft.	20.4
Length - overall in.	26 <sup>5</sup> / <sub>8</sub>
Depth - overall in.	37 <sup>15</sup> / <sub>16</sub>
Depth - over body in.	32
Clear door width in.	21 <sup>1</sup> / <sub>8</sub>
Clear full-door height in.	57 <sup>5</sup> / <sub>8</sub>
Clear half-door height in.	27 <sup>1</sup> / <sub>2</sub>
Height - overall on 6" legs	83 <sup>3</sup> / <sub>4</sub>
Number of Shelves	3
ELECTRICAL DATA	
Voltage	115/60/1
Feed wires with Ground	3
Full load amperes	8.3
REFRIGERATION DATA	
Refrigerant	R-134a
BTU/HR H.P. <sup>1</sup>	2400 (1/3 HP)
SHIPPING DATA	
Length - crated in.	35
Depth - crated in.	43
Height - crated in.	83 <sup>1</sup> / <sub>2</sub>
Volume - crated cu. ft.	71
Net Wt. lbs.	350
Gross Wt. lbs.	440

### NOTES

1=Based on a 90 degree F ambient and 20 degree F evaporator.



Equipped With One NEMA 5-15P Plug

Full load amps and plug style may vary depending on electrical options chosen and condensing unit employed.

**NOTE:** When ordering please specify: Voltage, Hinging, Door Size, Options and any additional warranties. For fast order entry: Fax 1 (800) 765-8728.

Continued product development may necessitate specification changes without notice.  
Part No. TR????? (created 6/03)

### Refrigeration System

A top mounted, self-contained, balanced refrigeration system, using R-134a refrigerant is conveniently located behind the one piece louver assembly. It features a plenum effect blower coil, large, high humidity evaporator coil located outside the food zone, top mounted non-electric condensate evaporator, and an automatic preset time activated electric defrost. Standard operating temperature is 34 to 38°F.

### Controller

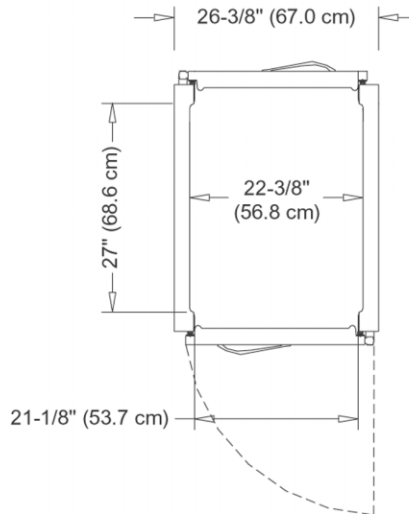
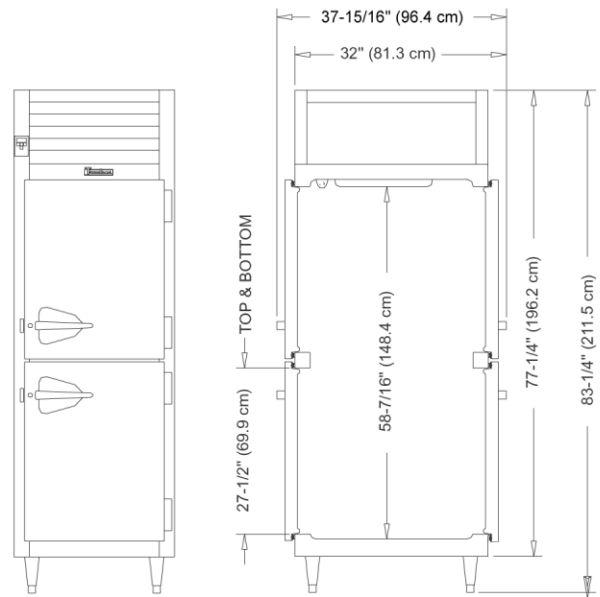
The water resistant INTELA-TRAUL® digital microprocessor control is provided. It includes an RS485 port for communications ability, in addition to features such as visual and audio alarms and 72 hour data storage capability.

### Interior

Standard interior arrangements include three (3) chrome plated wire shelves. Recommended load limit per shelf should not exceed 225 lbs.

### Warranties

The standard warranty includes a five year compressor warranty and a one year parts and labor warranty on all components and the cabinet. Additional warranties are available at extra cost. The INTELA-TRAUL® Control is warranted by a two year parts and labor warranty.



# Remote Refrigeration Data

Refer to the below chart to determine the following remote characteristics: Voltage, Amps, BTU's, Refrigerant, and if the following components are included: Condensate Evaporator, Solenoid, Expansion Valve and Temperature Control.

Model No.	Voltage	Amps	BTU @ 90°F Ambient and Evap. Temp.	Refrig't	Cond. Evap.	Solenoid	Exp. Valve	Temp Control
					Yes/No	Yes/No	Yes/No	
R/AHT132W	115/60/1	1.5	2400 @ +20°F Evap	R-134a	No	Yes	Yes	Intela-Traul
R/AHT132EW	115/60/1	1.5	2400 @ +20°F Evap	R-134a	No	Yes	Yes	Intela-Traul
R/AHT232W	115/60/1	2.0	4360 @ +20°F Evap	R-134a	No	Yes	Yes	Intela-Traul
R/AHT332W	115/60/1	2.5	4360 @ +20°F Evap	R-134a	No	Yes	Yes	Intela-Traul
R/AHT232N	115/60/1	2.0	4360 @ +20°F Evap	R-134a	No	Yes	Yes	Intela-Traul
R/AHT332N	115/60/1	2.5	4360 @ +20°F Evap	R-134a	No	Yes	Yes	Intela-Traul
R/AHT126W	115/60/1	1.5	2400 @ +20°F Evap	R-134a	No	Yes	Yes	Intela-Traul
R/AHT226W	115/60/1	2.0	2400 @ +20°F Evap	R-134a	No	Yes	Yes	Intela-Traul
R/AHT132D	115/60/1	1.5	2400 @ +20°F Evap	R-134a	No	Yes	Yes	Intela-Traul
R/AHT232D	115/60/1	2.0	4360 @ +20°F Evap	R-134a	No	Yes	Yes	Intela-Traul
R/AHT132WP	115/60/1	2.0	2400 @ +20°F Evap	R-134a	No	Yes	Yes	Intela-Traul
R/AHT232WP	115/60/1	2.5	4360 @ +20°F Evap	R-134a	No	Yes	Yes	Intela-Traul
R/AHT332WP	115/60/1	3.0	4360 @ +20°F Evap	R-134a	No	Yes	Yes	Intela-Traul
R/AHT232NP	115/60/1	2.5	4360 @ +20°F Evap	R-134a	No	Yes	Yes	Intela-Traul
R/AHT332NP	115/60/1	3.0	4360 @ +20°F Evap	R-134a	No	Yes	Yes	Intela-Traul
R/AHT126WP	115/60/1	2.0	2400 @ +20°F Evap	R-134a	No	Yes	Yes	Intela-Traul
R/AHT226WP	115/60/1	2.5	2400 @ +20°F Evap	R-134a	No	Yes	Yes	Intela-Traul
R/ALT132W	115/60/1	7.5	2160 @ -20°F Evap	R-404A	No	Yes	Yes	Intela-Traul
R/ALT232W	115/60/1	10.0	3790 @ -20°F Evap	R-404A	No	Yes	Yes	Intela-Traul
R/ALT332W	115/60/1	11.0	5220 @ -20°F Evap	R-404A	No	Yes	Yes	Intela-Traul
R/ALT232N	115/60/1	10.0	3790 @ -20°F Evap	R-404A	No	Yes	Yes	Intela-Traul
R/ALT332N	115/60/1	11.0	5220 @ -20°F Evap	R-404A	No	Yes	Yes	Intela-Traul
R/ALT126W	115/60/1	4.0	1980 @ -20°F Evap	R-404A	No	Yes	Yes	Intela-Traul
R/ALT226W	115/60/1	7.5	3790 @ -20°F Evap	R-404A	No	Yes	Yes	Intela-Traul
R/ALT132D	115/60/1	6.0	2160 @ -20°F Evap	R-404A	No	Yes	Yes	Intela-Traul
R/ALT232D	115/60/1	10.0	3790 @ -20°F Evap	R-404A	No	Yes	Yes	Intela-Traul
R/ARI132L	115/60/1	2.0	2400 @ +20°F Evap	R-134a	No	Yes	Yes	Intela-Traul
R/ARI232L	115/60/1	3.0	4360 @ +20°F Evap	R-134a	No	Yes	Yes	Intela-Traul
R/ARI332L	115/60/1	4.0	5330 @ +20°F Evap	R-134a	No	Yes	Yes	Intela-Traul
R/ARI132LP	115/60/1	3.0	2400 @ +20°F Evap	R-134a	No	Yes	Yes	Intela-Traul
R/ARI232LP	115/60/1	4.0	4360 @ +20°F Evap	R-134a	No	Yes	Yes	Intela-Traul
R/ARI332LP	115/60/1	5.0	5330 @ +20°F Evap	R-134a	No	Yes	Yes	Intela-Traul
R/ARI132H	115/60/1	2.0	2400 @ +20°F Evap	R-134a	No	Yes	Yes	Intela-Traul
R/ARI232H	115/60/1	3.0	4360 @ +20°F Evap	R-134a	No	Yes	Yes	Intela-Traul
R/ARI332H	115/60/1	4.0	5330 @ +20°F Evap	R-134a	No	Yes	Yes	Intela-Traul
R/AIF132L	115/60/1	7.5	2160 @ -20°F Evap	R-404A	No	Yes	Yes	Intela-Traul
R/AIF232L	115/60/1	11.0	5220 @ -20°F Evap	R-404A	No	Yes	Yes	Intela-Traul
R/AIF332L	208/115	12.0	7580 @ -20°F Evap	R-404A	No	Yes	Yes	Intela-Traul
UC1H	115/60/1	1.0	1960 @ +20°F Evap	R-134a	Yes	Yes	Yes	Intela-Traul
UC1L	115/60/1	7.0	1960 @ -20°F Evap	R-134a	Yes	Yes	Yes	Intela-Traul
UC2H	115/60/1	1.0	3050 @ +20°F Evap	R-404A	Yes	Yes	Yes	Intela-Traul
UC2L	115/60/1	7.0	1960 @ -20°F Evap	R-134a	Yes	Yes	Yes	Intela-Traul
UC3H	115/60/1	1.5	2581 @ +20°F Evap	R-134a	Yes	Yes	Yes	Intela-Traul
UL1H	115/60/1	1.0	1960 @ +20°F Evap	R-134a	Yes	Yes	Yes	Intela-Traul
UL2H	115/60/1	1.0	2581 @ +20°F Evap	R-134a	Yes	Yes	Yes	Intela-Traul
UL3H	115/60/1	1.5	2581 @ +20°F Evap	R-134a	Yes	Yes	Yes	Intela-Traul



**TRAULSEN**  
 4401 BLUE MOUND RD.  
 PHONE 1 (800) 825-8220  
 Website: www.traulsen.com

FT. WORTH, TX 76106  
 FAX-MKTG. 1 (817) 624-4302

**SECTION**  
**12-2**

# Remote Refrigeration Data

Refer to the below chart to determine the following remote characteristics: Voltage, Amps, BTU, Refrigerant, and if the following components are included: Condensate Evaporator, Solenoid, Expansion Valve and Temperature Control.

Model No.	Voltage	Amps	BTU @ 90°F Ambient and Evap. Temp.	Cond. Evap.		Solenoid	Exp. Valve	Temp Control
				Refrig't	Yes/No	Yes/No	Yes/No	
R/ACV132W	115/60/1	7.5	2160 @ -10°F Evap	R-404A	No	Yes	Yes	No
R/ACV232W	115/60/1	10.0	1870 @ -10°F Evap	R-404A	No	Yes	Yes	No
R/ADT132EW	115/60/1	6.5	F-1850 @ -20°F Evap R-1130 @ +20°F Evap	R-404A R-134a	No	Yes	Yes	Intela-Traul
R/ADT132W	115/60/1	6.5	F-1850 @ -20°F Evap R-1130 @ +20°F Evap	R-404A R-134a	No	Yes	Yes	Intela-Traul
R/ADT232W	115/60/1	8.0	F-2170 @ -20°F Evap R-1730 @ -20°F Evap	R-404A R-134a	No	Yes	Yes	Intela-Traul
R/ADT332W	115/60/1	9.0	F-2160 @ -20°F Evap R-4360 @ +20°F Evap	R-404A R-134a	No	Yes	Yes	Intela-Traul
R/ADT232N	115/60/1	8.0	F-2170 @ -20°F Evap R-1730 @ +20°F Evap	R-404A R-134a	No	Yes	Yes	Intela-Traul
R/ADT332N	115/60/1	9.0	F-2160 @ -20°F Evap R-4360 @ +20°F Evap	R-404A R-134a	No	Yes	Yes	Intela-Traul
R/ADT132D	115/60/1	6.5	F-1850 @ -20°F Evap R-1130 @ +20°F Evap	R-404A R-134a	No	Yes	Yes	Intela-Traul
R/ADT232D	115/60/1	6.5	F-1850 @ -20°F Evap R-1130 @ +20°F Evap	R-404A R-134a	No	Yes	Yes	Intela-Traul
RDH232W	208/115-1-60	10.0	2400 @ +20°F Evap	R-134a	No	Yes	Yes	Intela-Traul
RDH232WP	208/115-1-60	10.0	2400 @ +20°F Evap	R-134a	No	Yes	Yes	Intela-Traul
RR1264L	115/60/1	4.0	2 X 4360 @ +20°F Evap	R-134a	No	Yes	Yes	Intela-Traul
RR1364L	115/60/1	8.0	2 X 5330 @ +20°F Evap	R-134a	No	Yes	Yes	Intela-Traul
RR1264LP	115/60/1	4.0	2 X 4360 @ +20°F Evap	R-134a	No	Yes	Yes	Intela-Traul
RR1364LP	115/60/1	8.0	2 X 5330 @ +20°F Evap	R-134a	No	Yes	Yes	Intela-Traul
RIF264L	208/115/60/1*	12.0	10,440 @ -20°F Evap	R-404A	No	Yes	Yes	Intela-Traul
RIF364L	208/115/60/1*	14.0	15,160 @ -20°F Evap	R-404A	No	Yes	Yes	Intela-Traul
RHT232NSL	115/60/1	6.5	5330 @ +20°F Evap	R-134a	No	Yes	Yes	Intela-Traul
RHT232NHG	115/60/1	2.0	4360 @ +20°F Evap	R-134a	No	Yes	Yes	Intela-Traul
VPS48/54S	115/60/1	6.0	1870 @ +10°F Evap	R-404A	No	Yes	Yes	ETC
VPS66/72/90S	115/60/1	6.5	3160 @ +10°F Evap	R-404A	No	Yes	Yes	ETC
VPS114S	115/60/1	7.0	5900 @ +10°F Evap	R-404A	No	Yes	Yes	ETC
VPS54J	115/60/1	6.5	5900 @ +10°F Evap	R-404A	No	Yes	Yes	ETC
VPS66/72/90J	115/60/1	6.5	3160 @ +10°F Evap	R-404A	No	Yes	Yes	ETC
VPS120J	115/60/1	11.0	5900 @ +10°F Evap	R-404A	No	Yes	Yes	ETC

\*Actual voltage is 208-230/115/60/1.

#### NOTES:

- 1) Remote INTELA-TRAUL® equipped units do not require use of an electromechanical temperature control.
- 2) Cord and plug are not supplied with remote units.
- 3) Listed BTU rating shown is the required BTU's delivered to the unit at the evaporator coil.
- 4) Compressor horsepower recommendations are not supplied by Traulsen. Remote compressor size should be determined by a qualified refrigeration technician based on the delivered BTU rating at the unit and actual jobsite requirements.
- 5) To determine approximate remote model weights, please deduct 40 lbs. from the respective self-contained models net or gross weight.
- 6) Standard Traulsen five year compressor warranty does not apply to remote units.
- 7) Condensate Removal: except where a BMCE is listed above, all remote models require provisions to be made to allow for condensate removal. As supplied standard, these models include only a drain tube exiting the evaporator compartment on top of the cabinet from which condensate will drip. Optional condensate removal provisions include a drain line extended down the cabinet back (n/a for pass-thru or roll-thru models) or optional Top-Mounted Electric Condensate Evaporator. Note: provision of the first option will add approximately 7/8" to the overall cabinet depth, while the latter will add approximately 1.5 amps to the the cabinets full load amp rating. Cabinets built with optional TMCE's or BMCE's include arrangements to allow for these to be plugged directly into the unit.
- 8) Traulsen does not recommend the use of casters with remote models.

Continued product development may necessitate specification changes without notice.

Part No. TR35837 (revised 12/05)

**SECTION**  
**12-2**

**TRAULSEN**  
4401 BLUE MOUND RD.  
PHONE 1 (800) 825-8220  
Website: www.traulsen.com

**FT. WORTH, TX 76106**  
**FAX-MKTG. 1 (817) 624-4302**

