

Project	Quantity	Item #
Model Specified:		CSI Section 11400

TBC Series Blast Chillers For Corrections Applications



Reach-In Model
Roll-In Model
Roll-Thru Model

TBC13-COR01
TBC1H-COR01
TBC1HR-COR01



Model TBC1H-COR01
(corrections features not shown)



Model TBC13-COR01
(corrections features not shown)

Traulsen's blast chiller models are designed to quickly cool their respective capacity of hot product through the HACCP danger zone in approximately 90-minutes. They are available already built with all the features needed for use in a corrections environment.

They are optimized for the demanding needs of all security levels, and each is built with microprocessor controls, communications ability and stainless steel cabinet interior/exterior construction.

The correctional package is designed to protect the cabinet from unwanted damage/vandalism, removal of contents or components, as well as from being pushed over (see details below).

Models TBC1H & TBC1HR require a remote condensing unit for blast chill operation.

High Quality Standard Features

- One (1) On-Board Batch Data Printer With Button Feed
- USB Port For Loading HACCP Data & Product Updates
- Stainless Steel Exterior & Interior Construction
- Automatic Refrigerated/Freezer Hold Mode After Each Cycle
- Two-Stage Self-Contained Refrigeration System (promotes energy efficient operation and maximizes compressor life)
- Hot Gas Defrost
- Self-Closing and Stay-Open Door Feature With Magnetic Door Gasket
- Guaranteed-For-Life Cam-Lift Hinges & Door Handle
- Rehingable Stainless Steel Door With Cylinder Lock (TBC13)
- Metal Door Handles
- Accommodates One Roll-In Rack With Maximum Dimensions Of H=72"xW=27"xD=29" (TBC1H rack supplied by others)
- Stainless Steel Breaker Caps, Roll-In Ramp(s) & Rack Guide (TBC1H)
- Set Of Four (4) 6" High Adjustable Stainless Steel Legs (TBC13)
- Three Year Parts/Labor & Five Year Compressor Warranty

Corrections Feature Package

- Stainless Steel Screen Protects The Refrigeration System From Damage or Unwanted Removal of Components
- Use of Safety Screws Throughout Secures All Cabinet Components From Unwanted Removal
- Locking Hasps Secure Cabinet Contents (padlocks supplied by others)
- No Hinge Covers
- 12 Pairs Universal Type Tray Slides Welded to a Fixed Frame (TBC13)
- 6" High Stainless Steel Flanged Legs To Allow Secure Mounting To Floor (TBC13 only)

Exclusive Epicon™ Control Features

- 3 Modes
 - 1) Probe Chill™ Operation
Insert Probe And Go
 - 2) Auto Menu
Simple Menu Item Recall
 - 3) Manual Menu
Ability To Customize
- 4 Chilling Settings
 - 1) Standard
For Basic Operation
 - 2) Speed
For High Volume Operation Reduce Chill Time By 10%
 - 3) Delicate
Retain Moisture And Food Quality During Chill Cycle
 - 4) Energy
Conserve 10% Energy Consumption Per Cycle
- 3 Program Options
 - 1) Target Temperature
 - 2) Target Time
 - 3) Product Recall



Listed by Underwriters Laboratories Inc. and CSA certified by Underwriters Laboratories Inc. and classified by Underwriters Laboratories Inc. in accordance with ANSI/NSF7.

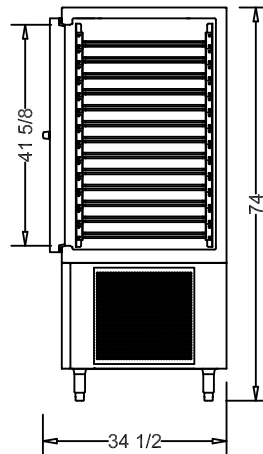
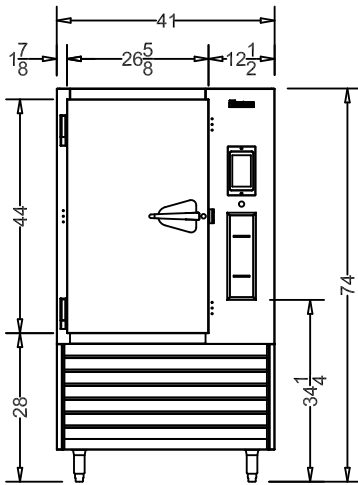
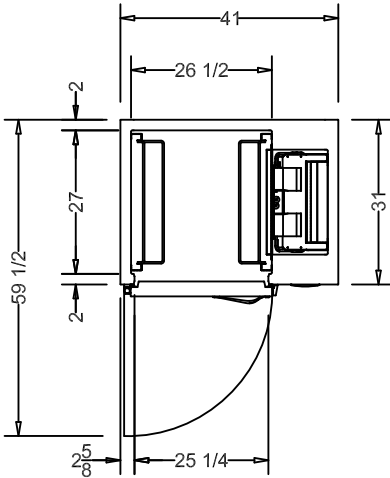
Approval: _____



TRAUlsen
4401 BLUE MOUND RD.
PHONE 1 (800) 825-8220
Website: www.traulsen.com

FT. WORTH, TX 76106
FAX-MKTG. 1 (817) 624-4302

Reach-In Model TBC13



Equipped With One NEMA L14-20P Plug (TBC13)

DIMENSIONAL DATA	TBC13
Cabinet Type	Reach-In
Net Capacity cu. ft.	18.3 (518.2 l)
Number of Pans 12" x 20" x 2 1/2"	26
Number of Pans 18" x 26"	13
Length - Overall in.	41 (104.1 cm)
Depth - Overall in.	34 1/2 (87.6 cm)
Depth - Cabinet only in. Over Body in.	31 (78.7 cm)
Depth - with Door Open 90° in.	59 1/2 (151.1 cm)
Clear Door Width in.	25 1/4 (64.1 cm)
Clear Door Height in.	41 5/8 (105.7 cm)
Height - Overall on 6" Legs	74 (188 cm)
ELECTRICAL DATA	
Voltage	208-230/115/60/1
Feed Wires with ground	4
Full Load Amperes	13.4
Circuit Ampacity (minimum)	20
REFRIGERATION DATA	
Refrigerant	R-404A
BTU/HR 1 1/2 HP Blast Chill Compressor	5710
BTU/HR 1 HP Blast Chill Compressor	n/a
BTU/HR 1/2 HP Holding Compressor	2820

NOTE:

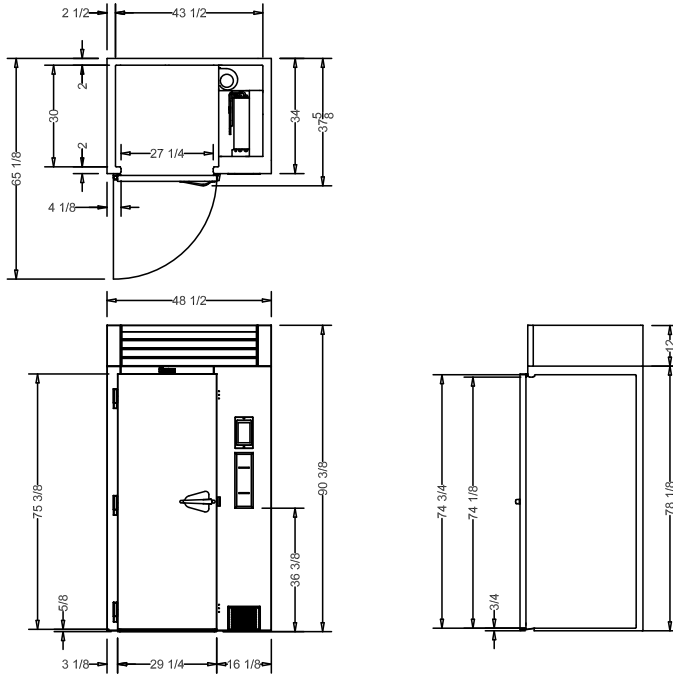
1. Unit requires condensate removal via a floor drain or optional electric condensate evaporator kit. See form TR35801 for more information. (TBC13 only)
2. Unit requires a dedicated circuit for proper operation.
3. Figures in parentheses reflect metric equivalents
4. 12" Clearance preferred for optimum performance and service access.

TRAUlsen
 4401 BLUE MOUND RD.
 PHONE 1 (800) 825-8220
 Website: www.traulsen.com

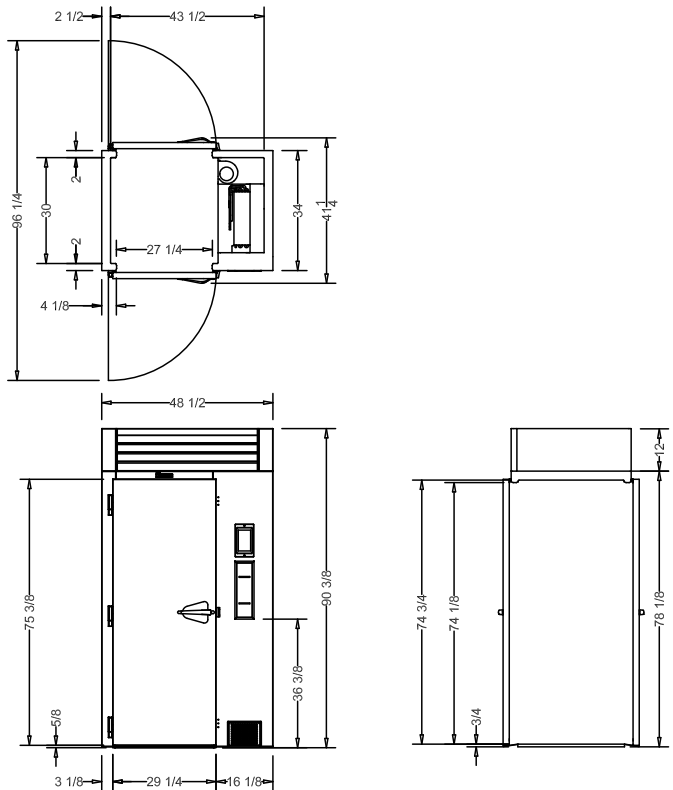
FT. WORTH, TX 76106
 FAX-MKTG. 1 (817) 624-4302



Roll-In Model TBC1H



Roll-Thru Model TBC1HR



DIMENSIONAL DATA	TBC1H/ TBC1HR Roll-In/Roll-Thru
Net Capacity cu. ft.	35 (990.5 l)
Number of Pans 12" x 20" x 2 1/2" # of Pans Depends Upon Rack Purchased	26
Rack Capacity (see "Roll-In Racks")	1
Length Overall in.	48 1/2 (123.2 cm)
Depth - Cabinet Only in. / Over Body in.	34 (86.4 cm)
Depth - with Door Open 90° in.	65 1/8 / 96 1/4
Depth - Overall in.	37 3/8 / 41 1/4
Clear Door Width in.	27 1/4 (69.3 cm)
Clear Door Height in.	74 1/8 (188.3 cm)
Height - Overall in.	90 3/8 (229.6 cm)
ELECTRICAL DATA	
Voltage (hard wired)	115/60/1
Feed Wires with Ground	3
Full Load Amperes	14.9
Minimum Circuit Ampacity	20
REFRIGERATION DATA Holding System Only	
Refrigerant	R404a
BTU/HR - HP - (x2) 1/2 HP Holding Compressor	2820
Suction Line in.	3/8 (.95 cm)
Liquid Line in.	1/4 (.63 cm)
REMOTE CONDENSER (Note: All models require a remote condenser unit. For additional technical support on optional remote condenser units consult factory.)	
REFRIGERATION DATA	
Refrigerant	R404a
Voltage	208-230/60/1
Recommended BTU/HR - HP	18,700 - 4 HP
BTU's are rated at 90° F ambient and a -10° F evaporator temp.	
Suction Line in.	1/2 (1.3 cm)
Ref. Lines at Blast Chill Unit	
Liquid Line in.	1/2 (1.3 cm)
Ref. Lines at Blast Chill Unit	
Suction Line in.	1 1/8 (2.9 cm)
Ref. Line on Remote Condenser	
Liquid Line in.	1/2 (1.3 cm)
Ref. Line on Remote Condenser	

NOTE

1. Figures in parentheses reflect metric equivalents
2. 12" Clearance preferred for optimum performance and service access.

*REMOTE COMPRESSOR NOTES:

1. See form TR35802 for remote compressor specifications.
2. Remote compressor installation required by others. Traulsen provides an service agent validation upon completion of remote system installation at no-charge (call 800-825-8220 in order to arrange this).
3. Remote compressor includes a five year warranty if purchased from Traulsen.



TRAUlsen
4401 BLUE MOUND RD.
PHONE 1 (800) 825-8220
Website: www.traulsen.com

FT. WORTH, TX 76106
FAX-MKTG. 1 (817) 624-4302

Project	Quantity	Item #
Model Specified:		CSI Section 11400

TBC13 - Specifications

Hardware, Insulation and Construction

Exterior sides, front, door and top interior are constructed of stainless steel. Exterior back and bottom are constructed of heavy gauge galvanized steel. Door is equipped with a cylinder lock and guaranteed-for-life cam-lift, self-closing hinges with stay open feature at 120°. Guaranteed for life work-flow, door handle is mounted horizontally over recess in door which limits protrusion from door face into aisle ways (TBC13). Easily removable for cleaning, vinyl magnetic gasket assures tight door seal. Anti-condensate heater is located behind door opening. TBC13 Door is hinged left as standard. Both cabinet and door are insulated with high density, non-CFC foamed in place polyurethane.

Refrigeration System

Dual refrigeration systems are utilized in order to prevent short cycling, providing for energy efficient operation and maximize compressor life. These combine their efforts through a unique air circulation system within the food zone. During Blast Chill cycles both systems are in full operation. At the completion of any chill or freeze cycle, one refrigeration system remains in use to maintain proper refrigerated storage temperatures. Each unit requires a floor drain or optional condensate evaporator for condensate removal.

Interior

Standard interior arrangements consist of 12 pairs of tray slides, each pair (level) can accommodate (2) 12" x 20" x 2½" pan (24 maximum) or (1) 18" x 26" pan per level (12 maximum).

Blast Chill Operation

In TBC13 Blast Chill mode both refrigeration systems, as well as two blowers are in operation. Cabinet air temperature can be as low as -27°F. The control closely monitors both the air and product temperatures to assure rapid chilling without freezing. The operator is notified upon completion of each chill cycle, and the unit automatically begins to maintain proper refrigerated storage temperatures.

Controller

HACCP documentation is facilitated by one on-board printer which records all required product chill cycle information. This same data can also be downloaded through a USB Port .

Warranties

The unit is standard with a three year parts & labor warranty on all components and the cabinet, and an additional four year parts only warranty on the compressor(s).

TBC1H & TBC1HR - Specifications

Construction, Hardware and Insulation

Exterior sides, front, rear, door and interior are constructed of heavy gauge stainless steel. Exterior top, back and bottom are constructed of heavy gauge galvanized steel. The interior floor is constructed of stainless steel and insulated with ¾" of resilient cork. Door(s) are equipped with guaranteed for life cam lift hinges with stay open feature at 120°. Guaranteed for life, work flow handle is mounted horizontally over recess in door which limits protrusion from door face into aisle ways. Door is standard with cylinder lock. Easily removable for cleaning, vinyl magnetic gasket assures tight door seal. Anti- condensate heater is located behind door opening. Door is hinged left as supplied standard. Both cabinet and door are insulated with high density, non-CFC foamed in place polyurethane.

Refrigeration System

Dual refrigeration systems with a unique air circulation system minimize short cycling, while maximizing energy efficient operation and maximizing compressor life. During Blast Chill cycles both systems are in full operation. At the completion of any chill or freeze cycle, one refrigeration system remains in use to maintain proper refrigerated storage temperatures. Each unit requires a separate 4 HP remote condensing unit for blast chill operation and a floor drain or optional condensate evaporator for condensate removal.

Blast Chill Operation

In Blast Chill mode both refrigeration systems, as well as four blowers are in operation. Cabinet air temperature can be as low as -27°F. The control closely monitors both the air and product temperatures to assure rapid chilling without freezing. The operator is notified upon completion of each chill cycle, and the unit automatically begins to maintain proper refrigerated storage temperatures. All chill cycle data is then stored in memory and can either be printed or downloaded to a PC on demand.

Controller

HACCP documentation is facilitated by one on-board printers which records all required product chill cycle information. This same data can also be downloaded through a USB Port.

Roll-In Racks


Readily removable, interior mounted stainless steel guides for rack are provided. Maximum rack(s) size with wheels inboard of frame is 27" wide by 29" deep by 72" high. Racks are typically supplied by others, however these may be purchased directly from Traulsen as an option.

Warranties

The standard warranty is a three year parts and labor warranty on all components and the cabinet, and an additional four year parts only warranty on the ¾ HP maintenance compressor. Also, an on-site service validation is provided by an authorized agent at no-charge upon installation in order to insure proper operation.

Continued product development may necessitate specification changes without notice.

Part No. TR35915 (revised 2/13)

<p>TRAUlsen 4401 BLUE MOUND RD. PHONE 1 (800) 825-8220 Website: www.traulsen.com</p>	<p>FT. WORTH, TX 76106 FAX-MKTG. 1 (817) 624-4302</p>	
--	---	---