

SINGLE & DOUBLE DECK HIGH SHELVES AND 17" HIGH BACKGUARDS FOR INSTALLATION OVER HEAVY DUTY GAS EQUIPMENT



DD Series Double Deck High Shelf



BG Series 17" Backguard



SD Series Single Deck High Shelf



SPECIFICATIONS:

- 17" high, _____" wide backguard, Vulcan-Hart Model No. _____. Stainless steel front and sides. To be installed over (item) (model) number(s) _____.
- 24 $\frac{5}{16}$ " high, _____" wide single deck high shelf, Vulcan-Hart Model No. _____. Stainless steel front and sides. To be installed over (item) (model) number(s) _____.
- 35" high, _____" wide double deck high shelf, Vulcan-Hart Model No. _____. Stainless steel front and sides. To be installed over (item) (model) number(s) _____.

NSF listed.

STANDARD FEATURES

- Stainless steel front, sides and high shelves.
- Flue exhaust area is 3" (76 mm) deep by the width of the backguard/high shelf ordered.

OPTIONS

- Stainless steel finishing back.
- Enclosure end caps for double deck high shelves.

IMPORTANT

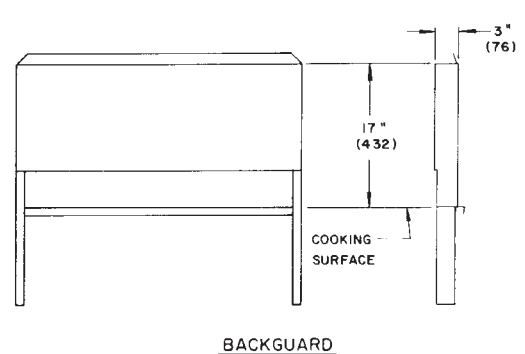
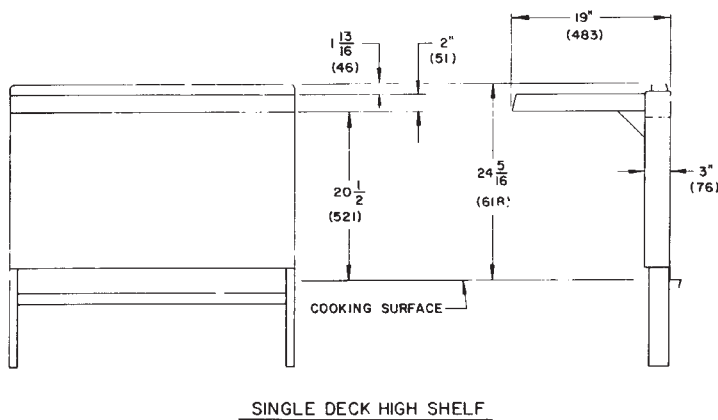
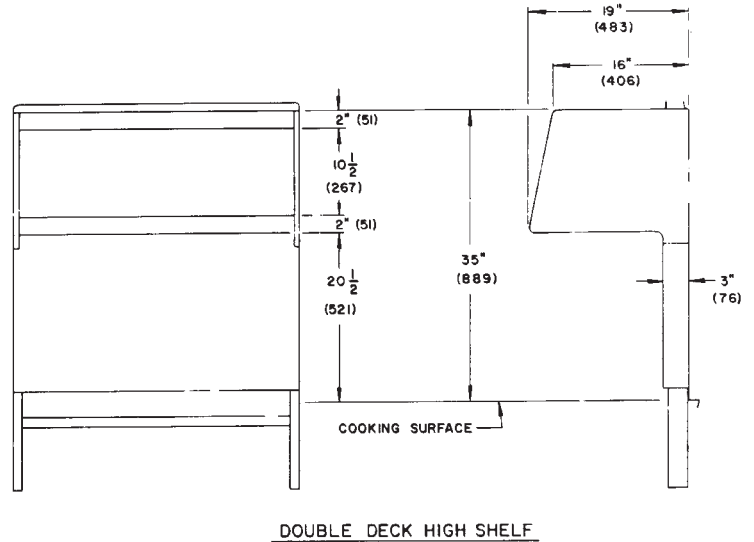
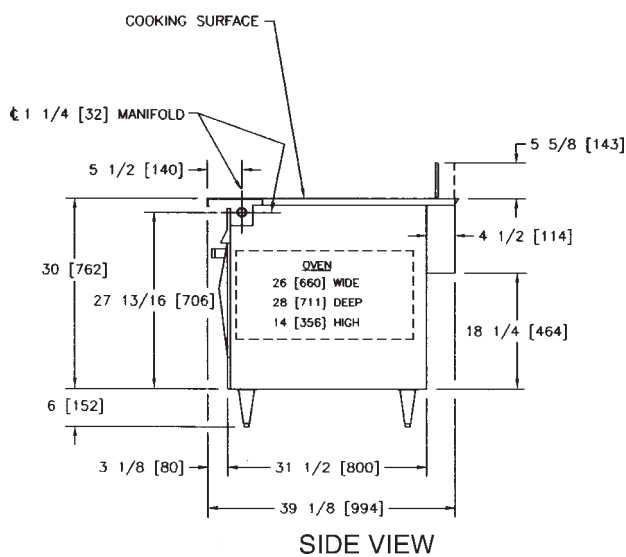
For proper flueing, a backguard, high shelf, cheesemelter or salamander broiler must be installed with each Vulcan heavy duty gas range.



**SINGLE & DOUBLE DECK
HIGH SHELVES AND 17" HIGH BACKGUARDS
FOR INSTALLATION OVER HEAVY DUTY GAS EQUIPMENT**

SINGLE DECK	WIDTH	DOUBLE DECK	WIDTH	17" BACKGUARD	WIDTH
<input type="checkbox"/> 17SD	17" (432)	<input type="checkbox"/> 17DD	17" (432)	<input type="checkbox"/> 17BG	17" (432)
<input type="checkbox"/> 34SD	34" (864)	<input type="checkbox"/> 34DD	34" (864)	<input type="checkbox"/> 21BG	21¼" (540)
<input type="checkbox"/> 51SD	51" (1295)	<input type="checkbox"/> 51DD	51" (1295)	<input type="checkbox"/> 34BG	34" (864)
<input type="checkbox"/> 68SD	68" (1727)	<input type="checkbox"/> 68DD	68" (1727)	<input type="checkbox"/> 51BG	51" (1295)
				<input type="checkbox"/> 68BG	68" (1727)

NOTE: Millimeters in parenthesis.



NOTE: In line with its policy to continually improve its products, Vulcan-Hart Company reserves the right to change materials and specifications without notice.