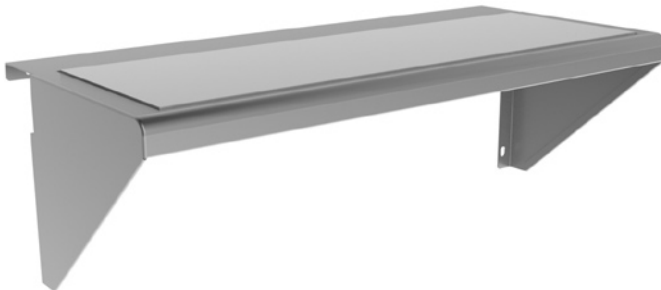


GRIDDLES & BROILERS**VULCAN****ACCESSORIES**
MSA AND 900RX HEAVY DUTY GAS GRIDDLES**PLATE RAIL MOUNTED ON MSA24 GRIDDLE****CUTTING BOARD****CONDIMENT RAIL**
Containers not included

- CUTTING BOARD
- CONDIMENT RAIL
- PLATE RAIL
- BANKING STRIP

STANDARD FEATURES

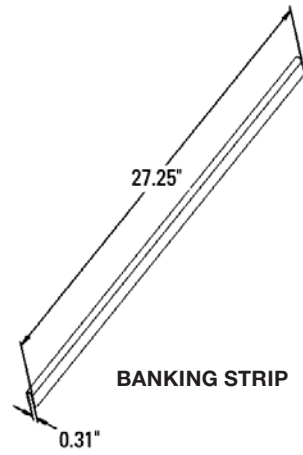
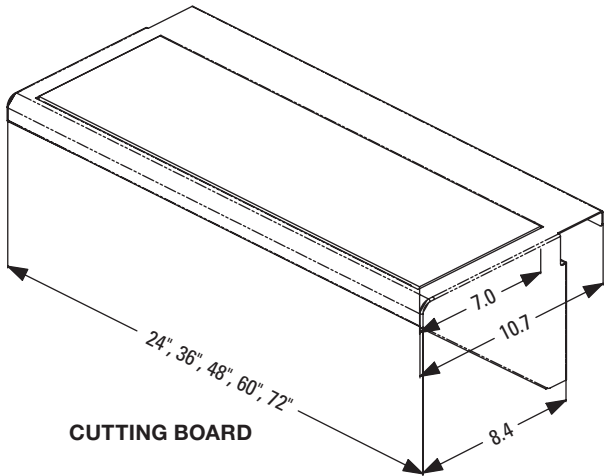
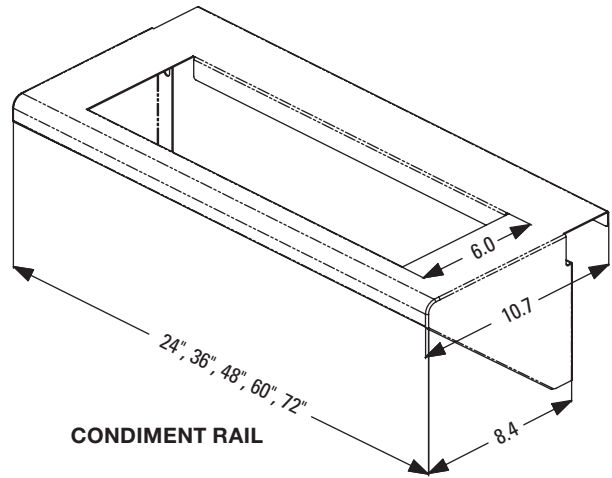
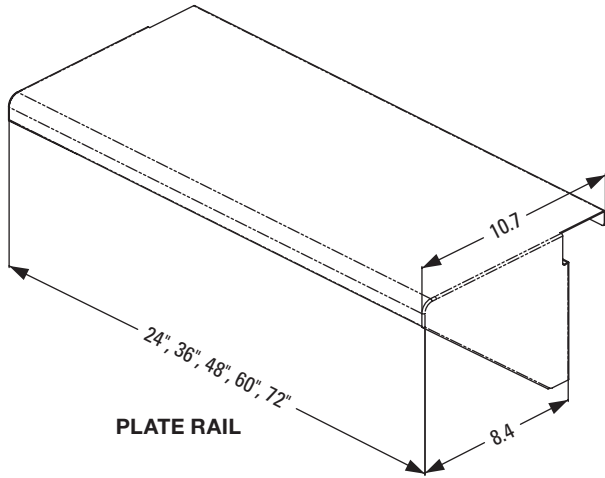
- Stainless steel construction.
- Welded and smooth blended edges.
- Line matched to VACB charbroiler and VHP hotplate accessories.
- Cutting board accessory features stainless steel frame with removable board inserts. Inserts are 1" thick x 7" wide, Sani-TUFF® rubber NSF listed boards.
- Condiment rails will accommodate up to the following amounts of 1/6 size containers:
 - 24" model – 3
 - 36" model – 4
 - 48" model – 6
 - 60" model – 8
 - 72" model – 9
- Plate rails feature a full 10⁵/₈" deep stainless steel shelf.
- Banking strip connects like side splashes together.
- One year limited parts and labor warranty.

SPECIFY GRIDDLE SIZE WHEN ORDERING.**VULCAN***a division of ITW Food Equipment Group LLC*

P.O. Box 696 ■ Louisville, KY 40201 ■ Toll-free: 1-800-814-2028 ■ Local: 502-778-2791 ■ Quote & Order Fax: 1-800-444-0602



ACCESSORIES
MSA AND 900RX HEAVY DUTY GAS GRIDDLES



SIZE	ACCESSORY CODES		
	CUTTING BOARD	CONDIMENT RAIL	PLATE RAIL
24	CUTBD-24	CONRAIL-24	PLTRAIL-24
36	CUTBD-36	CONRAIL-36	PLTRAIL-36
48	CUTBD-48*	CONRAIL-48	PLTRAIL-48
60	CUTBD-60*	CONRAIL-60	PLTRAIL-60
72	CUTBD-72*	CONRAIL-72	PLTRAIL-72

*Two section board

DESCRIPTION	ACCESSORY CODE
Flex gas hose for gas griddles (3/4" x 4 ft.)	3/4QDH-4FT
Transformer 220 V to 120 V	TRANSF-900RE
Griddle banking strip (connects side splashes of two units)	BANKING-STRIP



a division of ITW Food Equipment Group LLC

P.O. Box 696 ■ Louisville, KY 40201 ■ Toll-free: 1-800-814-2028 ■ Local: 502-778-2791 ■ Quote & Order Fax: 1-800-444-0602