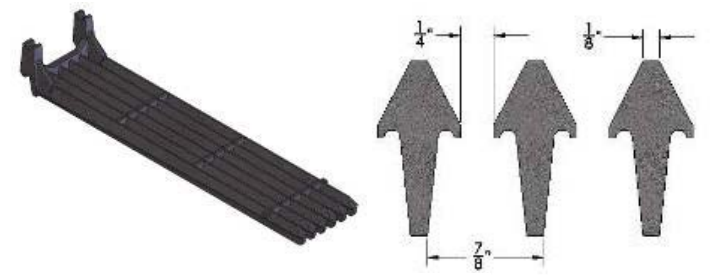
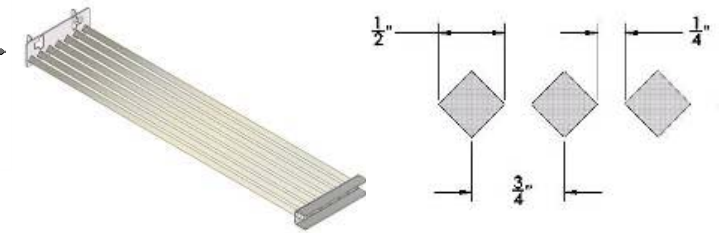
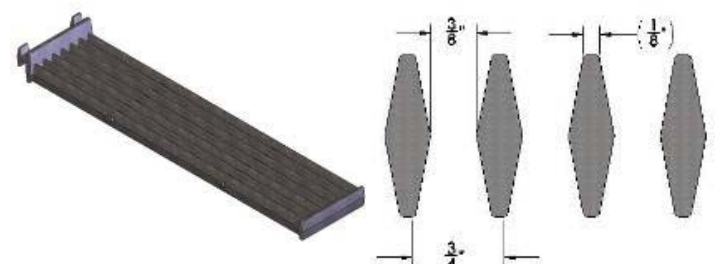
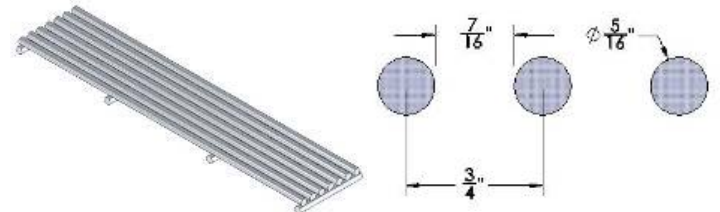
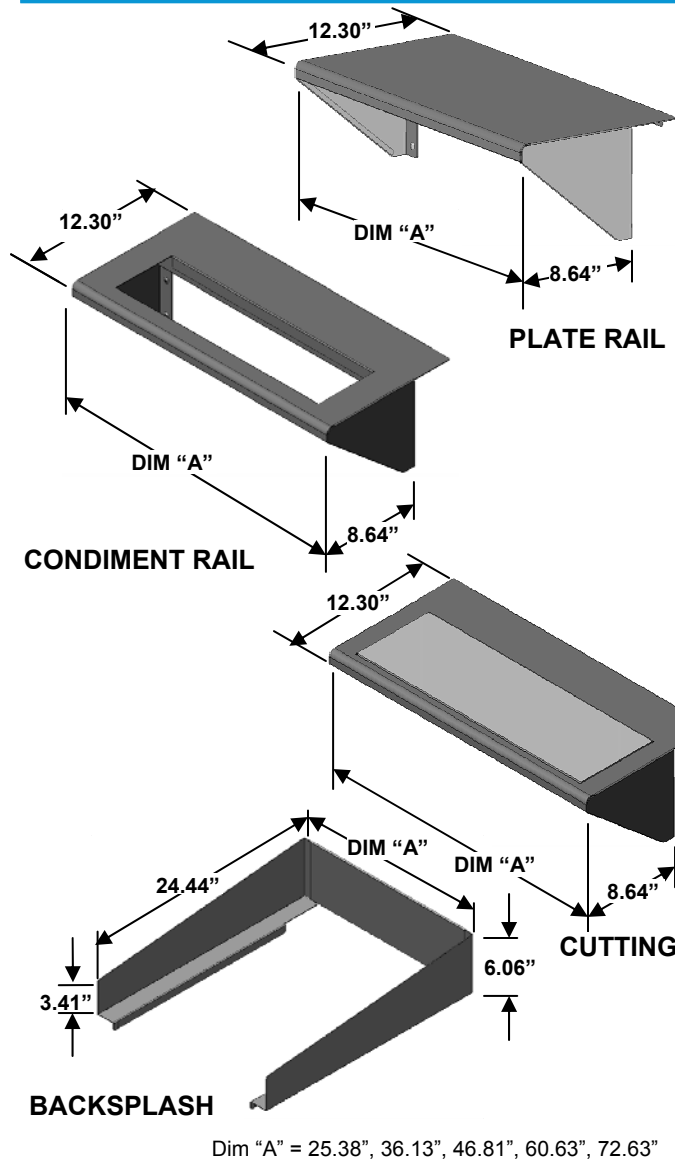


ACCESSORIES VACB COUNTER MODEL GAS CHARBROILER

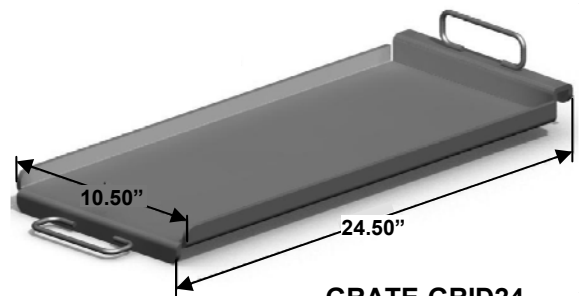


All above grates are 5.25" wide X 24"

GRATES	
DESCRIPTION	ACCESSORY CODE
Round rod(1/2"welded steel rods)	GRATE-RR724
Cast diamond(standard-cast iron)	GRATE-CDIA24
Diamond fabricated(welded steel)	GRATE-DIA24
Cast straight(cast iron)	GRATE-CSTR24
Griddle Plate(welded 1/4" steel)	GRATE-GRID24

ACCESSORY CODES				
MODEL #	PLATE RAIL	CONDIMENT RAIL	CUTTING BOARD	BACK SPLASH
VACB20	PLTRAIL-ACB20	N/A	N/A	BCKSPLH-ACB20
VACB25	PLTRAIL-ACB25	CONRAIL-ACB25	CUTBD-ACB25	BCKSPLH-CB25
VACB36	PLTRAIL-ACB36	CONRAIL-ACB36	CUTBD-ACB36	BCKSPLH-CB36
VACB47	PLTRAIL-ACB47	CONRAIL-ACB47	CUTBD-ACB47	BCKSPLH-CB47
VACB60	PLTRAIL-ACB60	CONRAIL-ACB60	CUTBD-ACB60	BCKSPLH-CB60
VACB72	PLTRAIL-ACB72	CONRAIL-ACB72	CUTBD-ACB72	BCKSPLH-CB72

*Two piece board



NOTE: In line with its policy to continually improve its products, Vulcan-Hart Company reserves the right to change materials and specifications without notice.