

**GRIDDLES & BROILERS**



**COUNTER MODEL  
STAINLESS STEEL STANDS**

- STAND/C
- STAND/C-VACB



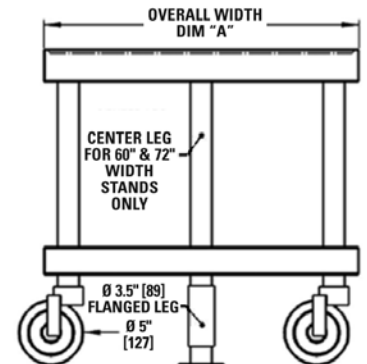
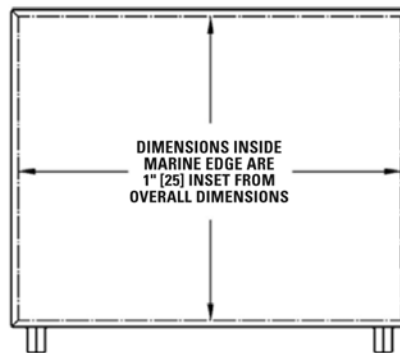
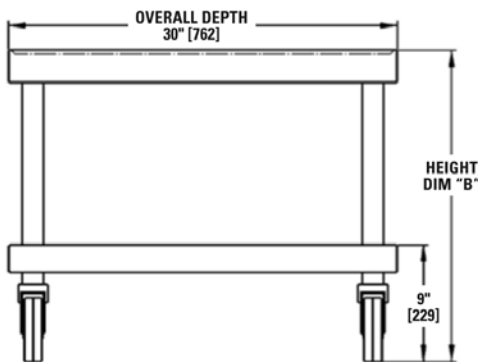
Model STAND/C-48

**STANDARD FEATURES**

- Stainless steel construction
- Welded and smooth blended edges
- STAND/C models have 1/2" wide marine edges
- All models have 5" casters with 2 or 3 locking brakes
- All models have an undershelf
- One year limited parts and labor warranty

**OPTIONAL FEATURES (Factory Installed)**

- Product variations, including flanged feet, available. See your sales representative for product variance requests.



PRODUCT FAMILY	ACCESSORY CODE CASTERS	DIM "A"	DIM "B"		
VCCG 900RX MSA RRE HEG VTEC VACB VCCB VHP	STAND/C-12	12" [305]	24" [610]		
	STAND/C-24	26" [660]			
	STAND/C-36	37" [940]			
	STAND/C-48	49" [1245]			
	STAND/C-60	61" [1550]			
	STAND/C-72	73" [1854]			
	CTSMOKER-VCCB SMOKER-VACB	STAND/C-VACB25		26" [660]	17 1/2" [445]
		STAND/C-VACB36		37" [940]	
STAND/C-VACB47		49" [1245]			
STAND/C-VACB60		61" [1550]			



a division of ITW Food Equipment Group LLC

P.O. Box 696 ■ Louisville, KY 40201 ■ Toll-free: 1-800-814-2028 ■ Local: 502-778-2791 ■ Quote & Order Fax: 1-800-444-0602