

S T E A M**VULCAN****VSKT30
STAND FOR COUNTER
BRAISING PANS & KETTLES**

Model VSKT30

**SPECIFICATIONS**

Counter steam equipment stand, Vulcan-Hart Model VSKT30. Stainless steel frame, utility tabs, drain basin, stationary gutter and flanged feet on the front and rear. Drain basin slides on stainless steel roller and ball bearings. Integral splash shield/cover provides a work surface when closed and splash containment when raised. Complete with mounting hardware for Vulcan counter braising pans and kettles.

Exterior Dimensions:

29.5"w x 24"d x 18"h mounting height. (28.5"h with splash shield raised)

NSF listed.

- VSKT30** 29.5" wide, stand for K6ETT & K12ETT self-contained kettles & VECTS12 & VECTS16 electric braising pans

STANDARD FEATURES

- Stainless steel frame, utility tabs, drain basin, stationary gutter and flanged feet on front and rear.
- Drain basin slides on stainless steel roller and ball bearings.
- Integral splash shield/cover provides a work surface when closed and splash containment when raised.
- Complete with mounting hardware for Vulcan counter braising pans and kettles.
- One year limited parts and labor warranty.

OPTIONS

- Direct kettle adapter for K6TTD and K12TTD direct steam kettles.

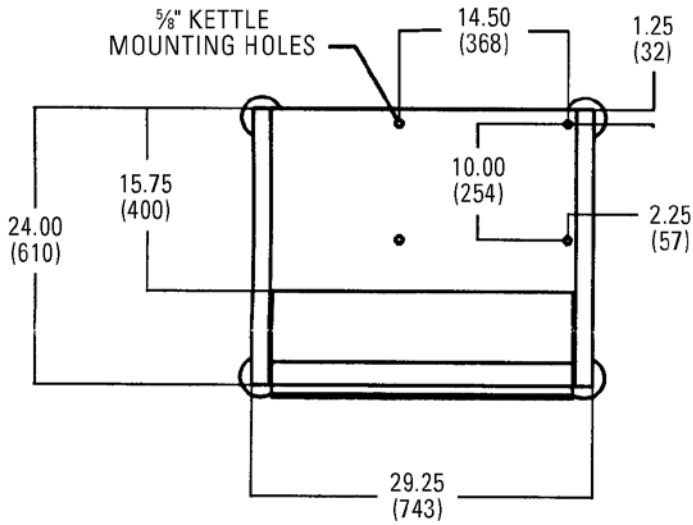
VULCAN

a division of ITW Food Equipment Group LLC

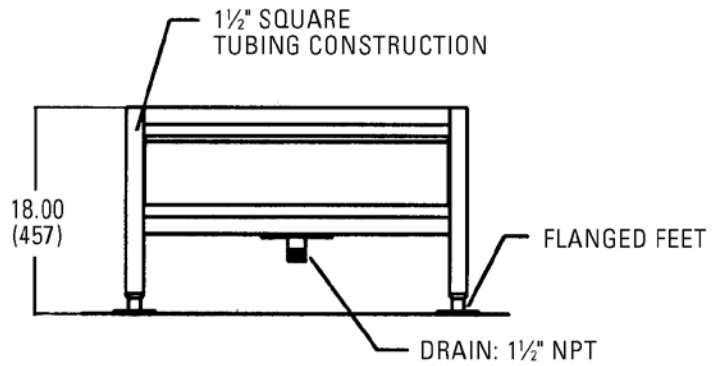
P.O. Box 696 ■ Louisville, KY 40201 ■ Toll-free: 1-800-814-2028 ■ Local: 502-778-2791 ■ Quote & Order Fax: 1-800-444-0602



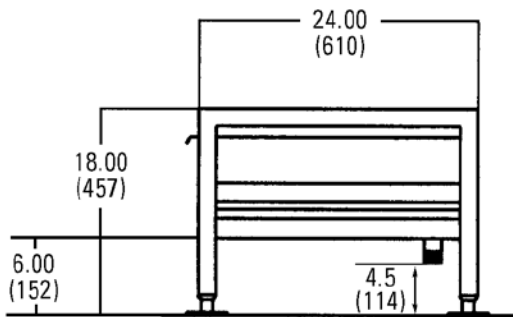
VSKT30
STAND FOR COUNTER
BRAISING PANS & KETTLES



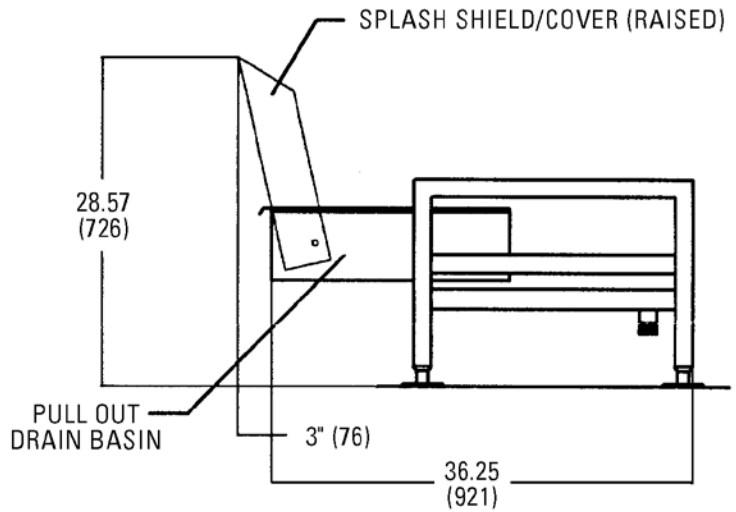
TOP VIEW



FRONT VIEW



SIDE VIEW
 DRAIN BASIN - CLOSED



SIDE VIEW
 DRAIN BASIN - OPEN



a division of ITW Food Equipment Group LLC

P.O. Box 696 ■ Louisville, KY 40201 ■ Toll-free: 1-800-814-2028 ■ Local: 502-778-2791 ■ Quote & Order Fax: 1-800-444-0602

NOTE: In line with its policy to continually improve its products, Vulcan reserves the right to change materials and specifications without notice.