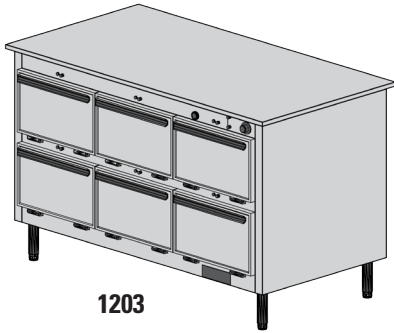




Your Solutions Partner

Specifications

F.O.B Sedalia, Missouri 65301



1203

OPTIONS:

- Enclosed base - 6" high
- Cord and plug - 8'
- Casters - 5" polyurethane, 2 swivel w/brakes 2 rigid
- Push bar
- Bumpers - stainless steel
- Door Panels - laminated plastic
- Additional 3" angle slides pairs
- Door locks
- 440-480V Circuit
- Celsius thermometer in lieu of Fahrenheit
- 208V/1Ph; 208V/3Ph; 240V/1 PH; 240/3PH

AGENCY LISTING:



DUKE MANUFACTURING CO.
2305 N. Broadway
St. Louis, MO 63102

800.735.3853 Toll Free
314.231.5074 Fax
www.dukemfg.com

Approval Stamp(s):

PRODUCT INFORMATION:

PROJECT: _____

ITEM: _____

QUANTITY: _____

MODEL:

Thermotainer Food Holding Cabinets - "A" Series 9"H x 14"W x 23-1/2" D Compartments

- 1203** Reach-In 1 thermostat, for all 6 compartments, w/legs
- 1203P** Pass-Thru 1 thermostat, for all 6 compartments, w/legs
- 1204** Reach-In 1 thermostat, for all 8 compartments, w/legs
- 1204P** Pass-Thru 1 thermostat, for all 8 compartments, w/legs

BODY:

- Heavy gauge stainless steel, all panels except bottom
- Shell welded to interior
- Die-stamped compartment openings
- Top 14 ga. S/S w/1" turned down edge and 1" overhang on all sides

DOORS:

- Stainless steel, die-stamped, embossed front
- Ribbed Interior
- Reinforced for mounting hardware
- Insulated with fiberglass
- Spring hinges die-stamped, with built-in-stop externally adjustable, completely concealed

COMPARTMENT:

- Heavy gauge stainless steel with rounded corners
- Stainless steel studs for angle slides at 3 levels
- (2) removable, adjustable, stainless steel, 3" angled slide pairs
- Removable liner for inspection and maintenance

ELECTRICAL CONTROLS:

- Recessed thermostat w/built-in On-Off switch
- Heat range 100° - 300° and dial thermometer
- Pilot lights
- Recessed connection box

DAMPERS:

- 2-position sliding type
- Controlled by push buttons
- Compartments individually controlled

INSULATION:

- Body fully insulated with 1-1/2" fiberglass, doors with fiberglass

HEATING ELEMENTS:

- Sheath type strip heaters, 120 Volt, 1 Phase
- Removable compartment for ease of access to heating elements.

LEGS:

- Stainless steel die-stamped adjustable - 6" high

SHORT FORM SPECIFICATIONS:

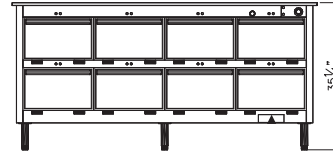
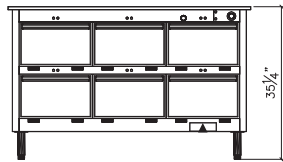
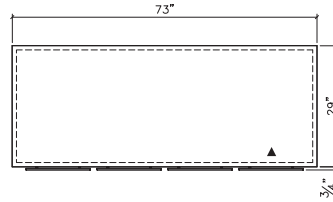
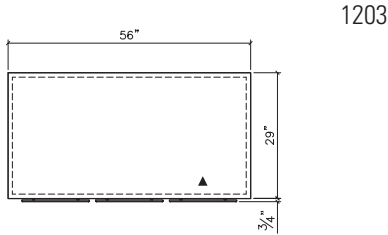
Duke Thermotainers Food Holding Cabinets. Models 1203/1203P constructed with six (6) compartments. Models 1204/1204P to have eight (8) compartments. Compartment 9"H x 14"W x 23-1/2"D. Each compartment to have two (2) pairs of removable stainless steel slides. One thermostat controls all compartments. Built-in installation - allow 1/4" tolerance greater than body width. 14 gauge stainless work top. 100°-300°F heat range with dial thermoeter and 6" high stainless steel legs



**THERMOTAINER FOOD HOLDING CABINETS - "A" SERIES
9"H x 14"W x 23-1/2"D COMPARTMENTS**

- 1203** Reach-In 1 thermostat for all 6 compartments, w/legs
- 1203P** Pass-Thru 1 thermostat for all 6 compartment, w/legs
- 1204** Reach-In 1 thermostat for all 8 compartments, w/legs
- 1204P** Pass-Thru 1 thermostat for all 8 compartment, w/legs

| LEGEND | |
|--------|-----------------------|
| ▲ | ELECTRICAL CONNECTION |



1204

DIMENSIONS:

FREIGHT CLASS: 100

| Model | Width | | Depth | | Height | | Comp. Depth | | Cube ft. crated | Weight | |
|-------|-------|-------|--------|------|--------|------|-------------|------|-----------------|--------|-------|
| | in | cm | in | cm | in | cm | in | cm | | lbs | kg |
| 1203 | 56 | 142.2 | 29-3/4 | 75.6 | 35-1/4 | 89.5 | 23-1/2 | 59.7 | 52.4 | 600 | 272.7 |
| 1203P | 56 | 142.2 | 31-1/2 | 80.0 | 35-1/4 | 89.5 | 25-1/2 | 64.8 | 55.1 | 600 | 272.7 |
| 1204 | 73 | 185.4 | 29-3/4 | 75.6 | 35-1/4 | 89.5 | 23-1/2 | 59.7 | 66.7 | 800 | 363.6 |
| 1204P | 73 | 185.4 | 31-1/2 | 80.0 | 35-1/4 | 89.5 | 25-1/2 | 64.8 | 70.2 | 800 | 363.6 |

ELECTRICAL SPECIFICATIONS: (Consult factory for 3-phase electrical requirements and other options.)

| Model | Connected Load |
|-------|----------------|
| 1203 | 2000 watts |
| 1203P | 2000 watts |
| 1204 | 2500 watts |
| 1204P | 2500 watts |

| | 1203/1203P | 1204/1204P |
|-----------------------------------|---|---|
| Capacity w/standard slides | (18) 12" x 20" x 2" pans or (12) 12" x 20" x 4" pans or (6) 12" x 20" x 8" pans | (18) 12" x 20" x 2" pans or (12) 12" x 20" x 4" pans or (6) 12" x 20" x 8" pans |

- 1203** hinged doors on front only
- 1203P** hinged doors on front & back for pass-thru service
- 1204** hinged doors on front only
- 1204P** hinged doors on front & back for pass-thru service



DUKE MANUFACTURING CO.

2305 N. Broadway
St. Louis, MO 63102

800.735.3853 Toll Free
314.231.1130 In Missouri
314.231.5074 Fax
www.dukemfg.com

Specification subject to change