



Your Solutions Partner

# Specifications

F.O.B Sedalia, Missouri 65301



1456



1458

### OPTIONS:

- Enclosed base - 6" high
- Cord and plug - 8'
- Casters - 5" polyurethane, 2 swivel w/brakes 2 rigid
- Push bar
- Bumpers - stainless steel
- Door Panels - laminated plastic
- Additional pair 5" angle slides
- Door locks
- 440-480V Circuit
- Celsius thermometer in lieu of Fahrenheit
- 208V/1Ph; 208V/3Ph; 240V/1 PH; 240/3PH

### AGENCY LISTING:



**DUKE MANUFACTURING CO.**  
 2305 N. Broadway  
 St. Louis, MO 63102

**800.735.3853 Toll Free**  
**314.231.5074 Fax**  
**www.dukemfg.com**

SS-DM-00189-THM-16

## Approval Stamp(s):

### PRODUCT INFORMATION:

PROJECT: \_\_\_\_\_

ITEM: \_\_\_\_\_

QUANTITY: \_\_\_\_\_

MODEL:

### Thermotainer Food Holding Cabinets - "B" Series 9"H x 22"W x 28-1/2" D Compartments

- 1456** Reach-In 1 thermostat controls all 6 compartments , w/ legs
- 1456P** Pass-Thru 1 thermostat controls all 6 compartments, w/ legs
- 1458** Reach-In 1 thermostat controls all 8 compartments , w/ legs
- 1458P** Pass-Thru 1 thermostat controls all 8 compartments, w/ legs

### BODY:

- Heavy gauge stainless steel, all panels except bottom
- Shell welded to interior
- Die-stamped compartment openings

### DOORS:

- Stainless steel, die-stamped, embossed front
- Ribbed Interior
- Reinforced for mounting hardware
- Insulated with fiberglass
- Spring hinges die-stamped, with built-in-stop externally adjustable, completely concealed

### COMPARTMENT:

- Heavy gauge stainless steel
- Rounded corners
- Stainless steel studs for angle slides at 3 levels
- (2) removable, adjustable, stainless steel, 5" angled slide pairs
- Removable liner for inspection and maintenance

### ELECTRICAL CONTROLS:

- Recessed thermostat w/built-in On-Off switch
- Heat range 100° - 300° and dial thermometer
- Pilot lights
- Recessed connection box
- Removable access panel

### DAMPERS:

- 2-position sliding type
- Controlled by push buttons
- Compartments individually controlled

### INSULATION:

- Body fully insulated with 1-1/2" fiberglass

### HEATING ELEMENTS:

- Sheath type strip heaters, 120 Volt, 1 Phase
- Removable compartment for ease of access to heating elements.

### LEGS: For 1455 and 1455P

- Stainless steel die-stamped adjustable - 6" high

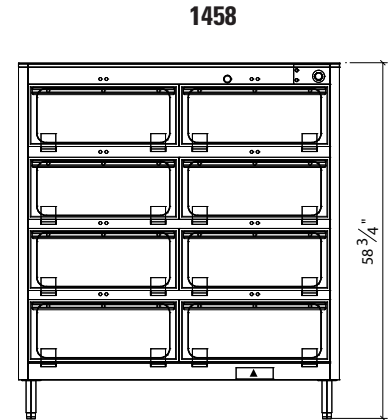
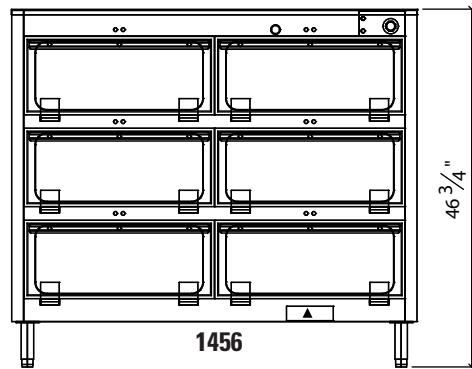
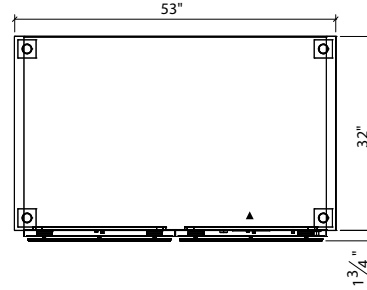
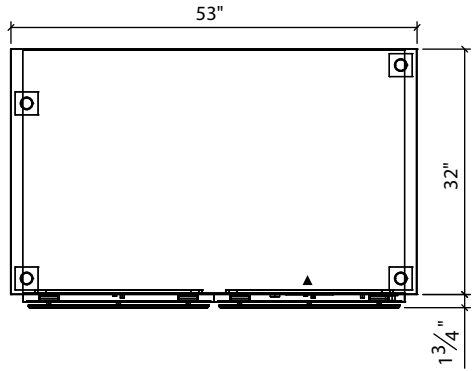
### SHORT FORM SPECIFICATIONS:

**Duke Thermotainers Food Holding Cabinets.** Models **1456/1456P** constructed with six (6) compartments. Models **1458/1458P** to have eight (8) compartments. Compartments 9"H x 22"W x 28-1/2"D. Each compartments to have two (2) pairs of removable stainless steel slides. One thermostat controls all compartments. 100° - 300°F heat range with dial thermometer. Built-in installation - allow 1/4" tolerance greater than body width.



**THERMOTAINER FOOD HOLDING CABINETS - "B" SERIES  
9"H x 22"W x 28-1/2"D COMPARTMENTS**

- 1456** Reach-In 1 thermostat controls all 6 compartments, w/ legs
- 1456P** Pass-Thru 1 thermostat controls all 6 compartments, w/ legs
- 1458** Reach-In 1 thermostat controls all 8 compartments, w/ legs
- 1458P** Pass-Thru 1 thermostat controls all 8 compartments, w/ legs



**DIMENSIONS:**

Freight Class: 100

| Model | Width |       | Depth  |      | Height |       | Comp. Depth |      | Cube ft. crated | Weight |       |
|-------|-------|-------|--------|------|--------|-------|-------------|------|-----------------|--------|-------|
|       | in    | cm    | in     | cm   | in     | cm    | in          | cm   |                 | lbs    | kg    |
| 1456  | 53    | 134.6 | 33-3/4 | 85.7 | 46-3/4 | 118.8 | 28-1/2      | 72.4 | 70.6            | 750    | 340.9 |
| 1456P | 53    | 134.6 | 35-1/2 | 90.2 | 46-3/4 | 118.8 | 30-1/2      | 77.5 | 73.8            | 750    | 340.9 |
| 1458  | 53    | 134.6 | 33-3/4 | 85.7 | 58-3/4 | 149.2 | 28-1/2      | 72.4 | 86.0            | 900    | 409.1 |
| 1458P | 53    | 134.6 | 35-1/2 | 90.2 | 58-3/4 | 149.2 | 30-1/2      | 77.5 | 90.0            | 900    | 409.1 |

**ELECTRICAL SPECIFICATIONS:** (Consult factory for 3-phase electrical requirements and other options.) 120V, 1Ph

| Model | Connected Load |
|-------|----------------|
| 1456  | 2750 watts     |
| 1456P | 2750 watts     |
| 1458  | 3000 watts     |
| 1458P | 3000 watts     |

|                                   | 1456/1456P   | 1458/1458P   |
|-----------------------------------|--|--|
| <b>Capacity w/standard slides</b> | (36) 12" x 20" x 2" pans or<br>(24) 12" x 20" x 4" pans or<br>(12) 12" x 20" x 8" pans<br>(18) 18" x 26" bake sheets | (48) 12" x 20" x 2" pans or<br>(32) 12" x 20" x 4" pans or<br>(16) 12" x 20" x 8" pans<br>(24) 18" x 26" bake sheets |

- 1456** Reach In - hinged doors on front only
- 1456P** Pass Thru - hinged doors on front & back for pass-thru service
- 1458** Reach In - hinged doors on front only
- 1458P** Pass Thru - hinged doors on front & back for pass-thru service



**DUKE MANUFACTURING CO.**

2305 N. Broadway  
St. Louis, MO 63102

800.735.3853 Toll Free  
314.231.1130 In Missouri  
314.231.5074 Fax  
www.dukemfg.com

Specification subject to change