



"Your Solutions Partner"

Specifications

F.O.B Sedalia, Missouri 65301



306-25

Shown with optional stainless steel drawer

OPTIONS:

- Stainless steel drawer - **306-DR**
- Cylinder lock and keys - **306-LK**
- Solid tray slides - **SOLID - FX/HD**
- 3 bar tray slides
- Kick plates
- Flanged feet - **AC-FF**
- 5" casters, 2 swivel w/locks - **AACA-SW**
- Drop brackets on tray slide - **AHD-BRKT-3BTS**
- Veneered plastic laminate panels on body
- Special powder coat painted body
- Cutouts - **AMOD-8, -9, -10, -11**
- Duplex outlets - **ACMOD-15, -16, -17, -18**
- 6 ft. cord and plug - **ACORD**
- Body latches - **14695**
- Special height legs - **ACMOD-30**
- Pusher bar - **ABAR**

DUKE MANUFACTURING CO.
 2305 N. Broadway
 St. Louis, MO 63102

800.735.3853 Toll Free
314-231-1130 In Missouri
314.231.5074 Fax
www.dukemfg.com

Approval Stamp(s):

PRODUCT INFORMATION:

PROJECT: _____
 ITEM: _____
 QUANTITY: _____

MODEL:

AeroServ Serving Systems Cashier Unit

306-25 36"H x 24-1/2"W x 24-1/2"L

TOP:

- 20 gauge, 300 Series stainless steel
- Flanged down 2" at 90°

BODY:

- Paint grip or stainless steel
- Choice of (12) powder coat paint colors (must choose one)

<input type="checkbox"/> #217105 - Designer White	<input type="checkbox"/> #217103 - Natural Almond
<input type="checkbox"/> #217150 - Orange	<input type="checkbox"/> #217154 - Racing Red
<input type="checkbox"/> #217107 - Hollyberry Red	<input type="checkbox"/> #217120 - Sky Blue
<input type="checkbox"/> #217127 - Fence Green	<input type="checkbox"/> #217152 - Stone Gray
<input type="checkbox"/> #217102 - Silver Hammer	<input type="checkbox"/> #217113 - Brown Kickplate
<input type="checkbox"/> #217101 - Semi-Gloss Black	<input type="checkbox"/> #217125 - Textured Black
- Flanged or channeled edges
- Open at end or operator's side
- Mounted on 6" stainless steel legs with adjustable feet

SHORT FORM SPECIFICATIONS:

Duke AeroServ Serving Systems - Cashier Units. Top shall be constructed of 20 gauge, 300 Series stainless steel, flanged down 2" at 90°. Body and shelves shall be paint-grip steel with powder coat paint or stainless steel with integrally flanged or channeled edges for rigidity and structural strength. Body shall be open to permit knee room on operator's side or on end. **LOCATION OF OPENING MUST BE SPECIFIED.** Unit shall be mounted on stainless steel legs with adjustable feet. Must add "PG" to model number for Paint Grip Bodies, "SS" for Stainless steel bodies.

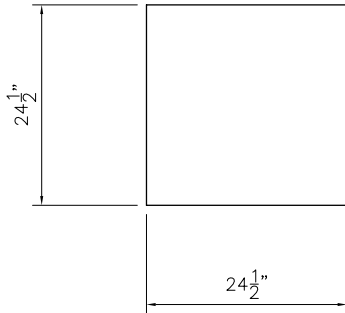
ASC-09



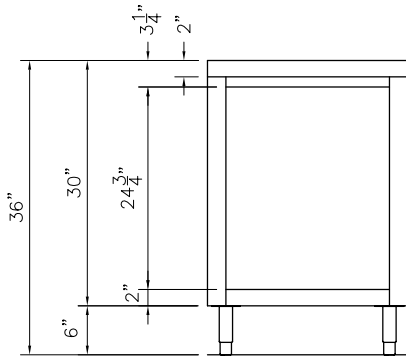
AEROSERV SERVING SYSTEMS

Cashier Unit

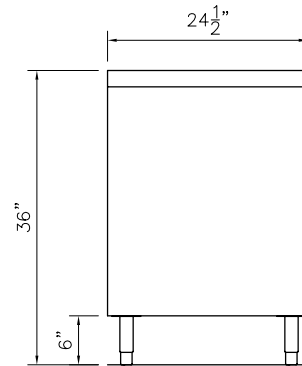
□ 306-25 36"H x 24-1/2"W x 24-1/2"L



TOP VIEW



FRONT VIEW



RIGHT SIDE VIEW

DIMENSIONS:

FREIGHT CLASS: 150

Model	Length		Width		Height		Cube ft. crated	Weight	
	in	cm	in.	cm	in.	cm		lbs	kg
306-25	24-1/2	62.2	24-1/2	62.2	36	91.4	22.9	200	90.9



"Your Solutions Partner"

DUKE MANUFACTURING CO.

2305 N. Broadway
St. Louis, MO 63102

800.735.3853 Toll Free

314.231.5074 Fax

www.dukemfg.com

Specification subject to change

06/08

Printed in U.S.A

© 2008, Duke Manufacturing Co.