



Your Solutions Partner

Specifications

F.O.B Sedalia, Missouri 65301



ADI-4M

OPTIONS:

- Condensate Evaporator
- 220V - 50Hz compressor
- Remote installation of compressor
- Hot food style top
- False Bottom
- Stainless steel louvered grille
- Designer Foodshields
- Stainless steel adapter panels
- Adapter bars

AGENCY LISTING:



DUKE MANUFACTURING CO.
2305 N. Broadway
St. Louis, MO 63102

800.735.3853 Toll Free
314.231.5074 Fax
www.dukemfg.com

Approval Stamp(s):

PRODUCT INFORMATION:

PROJECT: _____

ITEM: _____

QUANTITY: _____

MODEL:

Drop-Ins - Cold Pan Mechanically Assisted Ice - 5" Deep Liner

- ADI-1M** (1) 4" Deep 12" x 20" pan
- ADI-2M** (2) 4" Deep 12" x 20" pan
- ADI-3M** (3) 4" Deep 12" x 20" pan
- ADI-4M** (4) 4" Deep 12" x 20" pan
- ADI-5M** (5) 4" Deep 12" x 20" pan
- ADI-6M** (6) 4" Deep 12" x 20" pan

TOP RIM:

- Heavy gauge, 300 Series stainless steel
- Overhang on front, back and ends w/locking tabs
- Vinyl foam gasket as sealant
- 300 Series stainless steel cold pan liner
- Insulated all four sides and bottom
- 1" cast brass drain and plug
- Adapter bars furnished for full size pans

REFRIGERATION:

- Copper coils attached to bottom of liner - R134A refrigerant
- Open angle-iron suspended compressor compartment
- Remote mounted on/off switch with stainless steel face plate
- 120V condensing unit
- 6' cord and plug - NEMA 5-15
- Five year warranty on compressor motor

EXTERIOR HOUSING

- Heavy gauge paint grip steel

SHORT FORM SPECIFICATIONS:

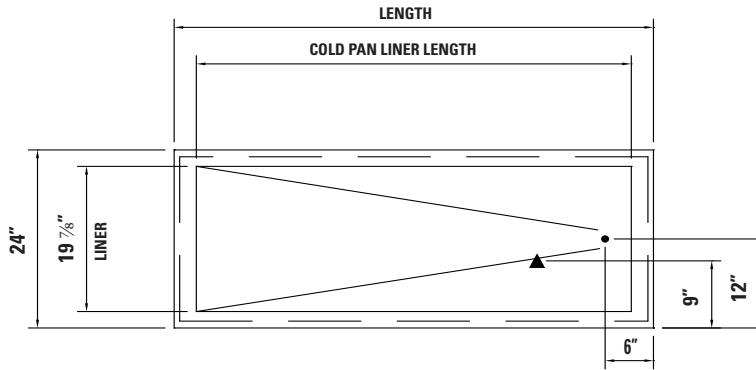
Duke Drop-Ins - Cold Pan - Mechanically Assisted Ice - 5" Deep Liner. Top flange of heavy gauge 300 series s/s with overhang on 4 sides, refrigerated cold pan, s/s top and interior liner, heavy gauge paint grip steel exterior housing, with drain, remote mounted on/off switch, 5" deep liner, cord and plug, adapter bars for full size pans furnished. Note: Do not fully enclose compressor area. Two unrestricted openings of no less than 200 sq. inches required in cabinet for proper cooling.

Duke®

MODEL:

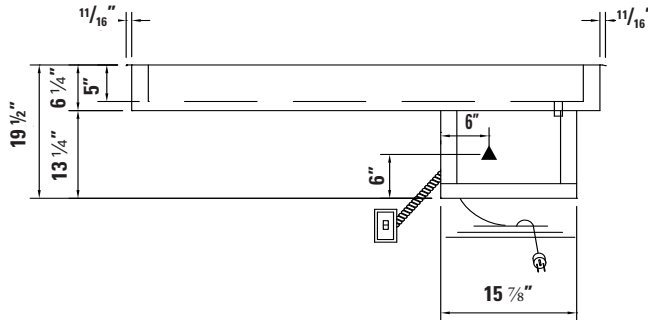
Drop-Ins - Cold Pan Mechanically Assisted Ice - 5" Deep Liner

- ADI-1M** (1) 4" Deep 12" x 20" pan
- ADI-2M** (2) 4" Deep 12" x 20" pans
- ADI-3M** (3) 4" Deep 12" x 20" pans
- ADI-4M** (4) 4" Deep 12" x 20" pans
- ADI-5M** (5) 4" Deep 12" x 20" pans
- ADI-6M** (6) 4" Deep 12" x 20" pans

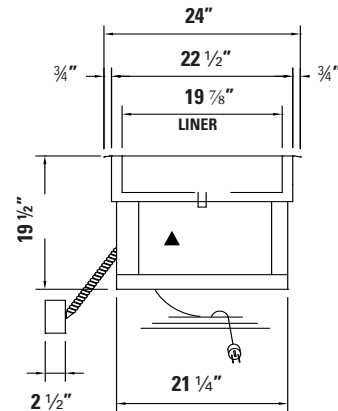


ADI-4M UNIT SHOWN
TOP VIEW

LEGEND	
▲	ELECTRICAL CONNECTION
●	DRAIN CONNECTION



FRONT VIEW



RIGHT SIDE VIEW

DIMENSIONS - Liners are 19-7/8" (50.6 cm) W; cutouts 23" (58.4cm) W

FREIGHT CLASS: 100

Model	Length		Width		Height		Cube ft crated	Adapt-er Bars	Weight		Cold Pan - L		Cutout - L	
	in.	cm	in.	cm	in.	cm			lbs	kg	in.	cm	in.	cm
ADI-1M	18	45.7	24	61.0	19 1/2	46.4	10.2	0	150	68.2	12	30.5	17	44.5
ADI-2M	32	81.3	24	61.0	19 1/2	46.4	16.2	1	160	72.3	26	66.0	31	80.0
ADI-3M	46	116.8	24	61.0	19 1/2	46.4	22.1	2	175	90.9	40	101.6	45	115.6
ADI-4M	60	152.4	24	61.0	19 1/2	46.4	28.1	3	200	113.6	54	137.2	59	151.1
ADI-5M	74	188.0	24	61.0	19 1/2	46.4	34.0	4	230	138.6	68	172.7	73	186.7
ADI-6M	88	223.5	24	61.0	19 1/2	46.4	40.0	5	280	159.1	82	208.3	87	222.3

REMOTE CONTROL CUTOUT IS 4-1/8" H X 2-3/16" W

ELECTRICAL SPECIFICATIONS

Model	120 Volt	
	Amps	HP
ADI-1M	4.2	1/5
ADI-2M	4.2	1/5
ADI-3M	4.2	1/5
ADI-4M	5.2	1/4
ADI-5M	5.2	1/4
ADI-6M	5.2	1/4

DUKE MANUFACTURING CO.

2305 N. Broadway
St. Louis, MO 63102

800.735.3853 Toll Free
800.231.1130 In Missouri
314.231.5074 Fax
www.dukemfg.com



Specification subject to change