



"Your Solutions Partner"

Specifications

F.O.B Sedalia, Missouri 65301



Shown with optional grille

OPTIONS:

- Remote compressor
- Stainless steel louvered grille
- Glass display shelves - **98x Series**
- Buffet shelves - **83x, 93xFL, 93xHT, 93xBL**
- Serving shelves - **956/956-460 - x Series**

AGENCY LISTING:



DUKE MANUFACTURING CO.
2305 N. Broadway
St. Louis, MO 63102

800.735.3853 Toll Free
314.231.5074 Fax
www.dukemfg.com

Approval Stamp(s):

PRODUCT INFORMATION:

PROJECT: _____
 ITEM: _____
 QUANTITY: _____

MODEL:

Drop-Ins - Cold Pan
Tri-Channel - NSF Standard 7

- | | |
|---|----------------------|
| <input type="checkbox"/> ADI-1M-TC | 18-1/8" length unit |
| <input type="checkbox"/> ADI-2M-TC | 30 -7/8" length unit |
| <input type="checkbox"/> ADI-3M-TC | 43-5/8" length unit |
| <input type="checkbox"/> ADI-4M-TC | 56-3/8" length unit |
| <input type="checkbox"/> ADI-5M-TC | 69-1/8" length unit |
| <input type="checkbox"/> ADI-6M-TC | 81-7/8" length unit |

TOP RIM:

- Heavy gauge, 300 Series stainless steel
- Overhang on front, back and ends
- Reinforced rim
- Vinyl foam gasket as sealant
- 300 Series stainless steel liner
- Insulated all sides and bottom

REFRIGERATION:

- Copper coils attached to sides of liner - R404A refrigerant
- Open angle-iron suspended compressor compartment
- Remote mounted on/off switch with stainless steel face plate
- 120 volt unit
- 6' cord and plug
- Five year warranty on compressor motor

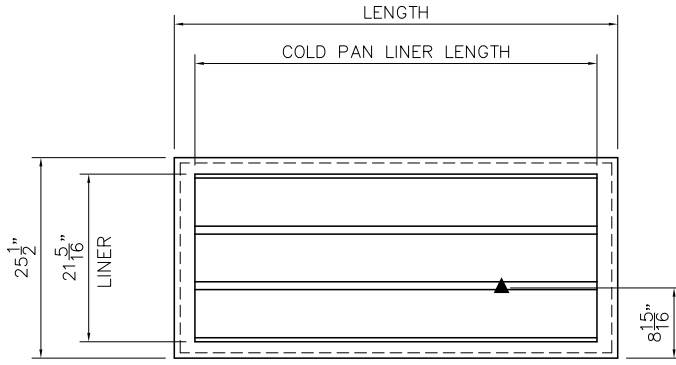
EXTERIOR HOUSING:

- Heavy gauge paint grip steel

SHORT FORM SPECIFICATIONS:

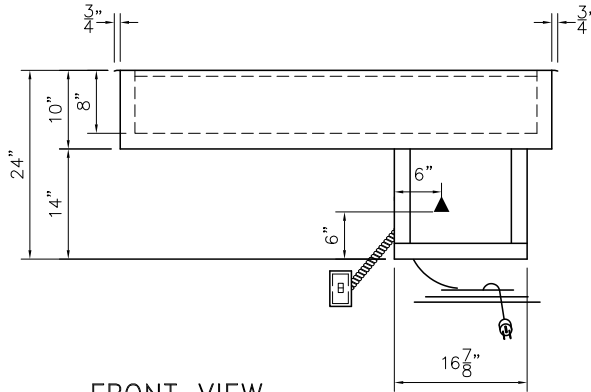
Aerohot™ Drop-in - Cold Pan - Tri-Channel - NSF Standard 7.

Top rim shall be constructed of heavy gauge 300 Series stainless steel. Unit provided with a 3 rail Tri-Channel NSF Standard 7 pan designed to hold 1/3rd, 1/6th and 1/9th size pans without the use of adaptor bars. Standards include; pull out compressor slides, on/off switch, 6'-0" electric cord and plug and 5-Year compressor motor warranty.

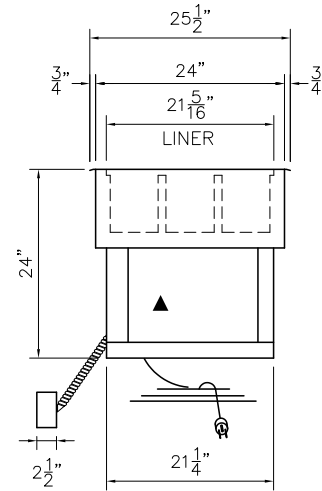


ADI-4M-TC UNIT SHOWN

TOP VIEW



FRONT VIEW



RIGHT SIDE VIEW

**DROP-INS
COLD PAN - TRI-CHANNEL
MEETS NSF STANDARD 7**

- ADI-1M-TC 18-1/8" length unit
- ADI-2M-TC 30 -7/8" length unit
- ADI-3M-TC 43-5/8" length unit
- ADI-4M-TC 56-3/8" length unit
- ADI-5M-TC 69-1/8" length unit
- ADI-6M-TC 81-7/8" length unit



FREIGHT CLASS: 100

Model	Overall Length	Overall Width	Tri-Channel Top Cutout Dimensions		Cubic Ft. Crated	Weight		120/1 NEMA #5-15P	
			Length	Width		Lbs.	Kg.	Amps	HP
ADI-1M-TC	18 1/8"	25 1/2"	17 1/8"	24 1/2"	14.0	180	82	5.5	1/4
ADI-2M-TC	30 7/8"	25 1/2"	29 7/8"	24 1/2"	22.1	190	86	5.5	1/4
ADI-3M-TC	43 5/8"	25 1/2"	42 5/8"	24 1/2"	24.5	205	93	6.7	1/3
ADI-4M-TC	56 3/8"	25 1/2"	55 3/8"	24 1/2"	38.4	310	141	6.7	1/3
ADI-5M-TC	69 1/8"	25 1/2"	68 1/8"	24 1/2"	46.5	370	168	6.5	0.4
ADI-6M-TC	81 7/8"	25 1/2"	80 7/8"	24 1/2"	54.6	410	186	6.5	0.4



"Your Solutions Partner"

DUKE MANUFACTURING CO.
2305 N. Broadway
St. Louis, MO 63102

800.735.3853 Toll Free
314.231.5074 Fax
www.dukemfg.com

Patented
Specification subject to change

06/08
Printed in U.S.A
© 2008, Duke Manufacturing Co.