



# Specifications

F.O.B Sedalia, Missouri 65301



OPAH-3-ST

### OPTIONS:

- Tray shelves
- Fluorescent lights
- Infrared bullet lamps
- Incandescent bullet lights
- Legs in lieu of casters
- Body latches
- Tray shelf on end

### AGENCY LISTINGS:



**DUKE MANUFACTURING CO.**  
 2305 N. Broadway  
 St. Louis, MO 63102

**800.735.3853 Toll Free**  
**314.231.5074 Fax**  
**www.dukemfg.com**

## Approval Stamp(s):

### PRODUCT INFORMATION:

PROJECT: \_\_\_\_\_

ITEM: \_\_\_\_\_

QUANTITY: \_\_\_\_\_

MODEL:

### Econo Mate™ Buffet Units Solid Top

- DPAH-3-ST/OPAH-3-ST** Portable (Floor Models) 44-3/8"L
- DPAH-4-ST/OPAH-3-ST** Portable (Floor Models) 58-3/8"L

### NOT AVAILABLE IN TABLE TOP MODELS

### BODY:

- Heavy gauge paint grip steel
- Choice of (12) powder coat paint colors (must choose one)
 

<input type="checkbox"/> #217105 - Bright White	<input type="checkbox"/> #217103 - Natural Almond
<input type="checkbox"/> #217150 - Orange Red	<input type="checkbox"/> #217154 - Racing Red
<input type="checkbox"/> #217107 - Hollyberry Red	<input type="checkbox"/> #217120 - Sky Blue
<input type="checkbox"/> #217127 - Fence Green	<input type="checkbox"/> #217152 - Stone Gray
<input type="checkbox"/> #217102 - Duke Silver	<input type="checkbox"/> #217113 - Brown Kickplate
<input type="checkbox"/> #217101 - Semi Gloss Black	<input type="checkbox"/> #217125 - Textured Black
- Clear plexiglass canopy, with black powder coat steel brackets with end enclosures

### BASES:

- Choice of
  - Open base - **O**
  - Closed base - **D**
- 5" NSF listed black swivel casters, 2 with locks

### SOLID TOP:

- 300 Series stainless steel
- Reinforced with heavy gauge paint grip steel supports

### SHORT FORM SPECIFICATIONS:

**Duke Econo Mate Buffet Units - Solid Top Units.** Portable Buffet with heavy gauge painted steel bodies, open or closed style, with 300 series stainless steel heavy gauge tops, enclosed steel base w/powder coat finish & sliding doors, clear acrylic canopy, 5" NSF approved black casters, 2 w/ locks. **NOT AVAILABLE IN TABLE TOP MODELS.**

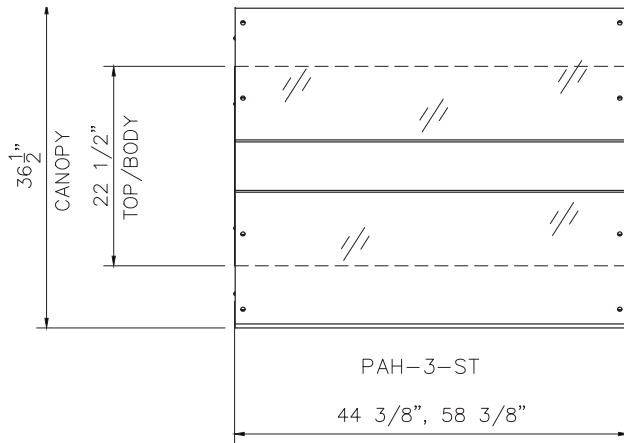
# Econo Mate®

**MODEL:**

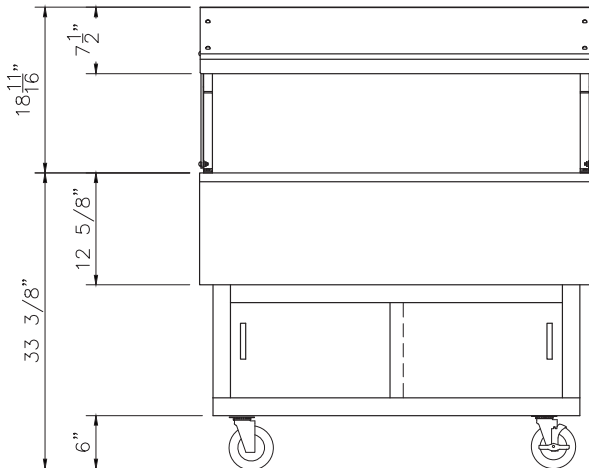
**Econo Mate Buffet Units**

**Solid Top**

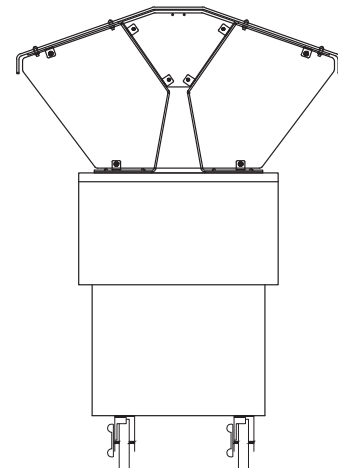
- DPAH-3-ST/OPAH-3-ST** Portable (floor models) 44-3/8"L
- DPAH-4-ST/OPAH-4-ST** Portable (floor models) 58-3/8"L



**TOP VIEW**



**FRONT VIEW**



**SIDE VIEW**

**LEGEND**

When ordering storage bases, precede model number with "0" for Open Base or "D" for closed base with doors. Example: **OPAH-2-BC** for open base unit.

**DIMENSIONS:**

FREIGHT CLASS: 100

Model	Length		Width		Height		Cube ft. Crated	Weight	
	in.	cm	in.	cm	in.	cm		lbs.	kg
<b>DPAH-3-ST</b>	44-3/8	112.8	22-1/2	57.2	33-3/8	84.8	32.0	272	123.6
<b>OPAH-3-ST</b>	44-3/8	112.8	22-1/2	57.2	33-3/8	84.8	32.0	315	143.2
<b>DPAH-4-ST</b>	58-3/8	148.3	22-1/2	57.2	33-3/8	84.8	40.9	276	125.5
<b>OPAH-4-ST</b>	58-3/8	148.3	22-1/2	57.2	33-3/8	84.8	40.9	318	144.6

**Electrical Specifications:**

n/a



**DUKE MANUFACTURING CO.**

2305 N. Broadway  
St. Louis, MO 63102

800.735.3853 Toll Free  
800.231.1130 In Missouri  
314.231.5074 Fax  
[www.dukemfg.com](http://www.dukemfg.com)

Specification subject to change