



Specifications

F.O.B Sedalia, Missouri 65301



DPAH-3-HF

OPTIONS:

- 1000 watt elements - per section
- 3 phase wiring
- Tray shelves
- Fluorescent lights
- Infrared bullet lamps
- Incandescent bullet lights
- Adapter bars
- Spillage pans
- Adapter plates
- Legs in lieu of casters
- Body latches
- Tray shelf on end

AGENCY LISTINGS:



DUKE MANUFACTURING CO.

2305 N. Broadway
St. Louis, MO 63102

800.735.3853 Toll Free

314.231.5074 Fax

www.dukemfg.com

Approval Stamp(s):

PRODUCT INFORMATION:

PROJECT: _____

ITEM: _____

QUANTITY: _____

MODEL:

Econo Mate™ Buffet Units - Hot Food

- DPAH-2-HF//OPAH-2-HF** Portable (floor models) 2 hot food wells
- DPAH-3-HF//OPAH-3-HF** Portable (floor models) 3 hot food wells
- DPAH-4-HF//OPAH-4-HF** Portable (floor models) 4 hot food wells
- TAH-2-HF** Table Top 2 hot food wells
- TAH-3-HF** Table Top 3 hot food wells
- TAH-4-HF** Table Top 4 hot food wells

BODY:

- Heavy gauge paint grip steel
- Choice of (12) powder coat paint colors (must choose one)
 - #217105 - Bright White
 - #217103 - Natural Almond
 - #217150 - Orange Red
 - #217154 - Racing Red
 - #217107 - Hollyberry Red
 - #217120 - Sky Blue
 - #217127 - Fence Green
 - #217152 - Stone Gray
 - #217102 - Duke Silver
 - #217113 - Brown Kickplate
 - #217101 - Semi Gloss Black
 - #217125 - Textured Black
- Heavy gauge; 300 Series stainless steel top
- Clear plexiglass canopy, with black powder coat steel brackets with end enclosures

BASES:

- Choice of
 - Open base - **O**
 - Closed base - **D**
 - Table Top - **T**
- 5" NSF listed black swivel casters, 2 with locks

HEAT COMPARTMENTS:

- 12" x 20" top opening
- Insulation on sides, ends and bottom of 8" compartment
- Infinite switch controls exposed electric element
- 6' cord and plug

SHORT FORM SPECIFICATIONS:

Duke Econo Mate Buffet Units - Hot Food. Portable Buffet with heavy gauge painted steel bodies, open or closed style, with 300 series stainless steel heavy gauge tops, hot wells w/infinite switches, enclosed steel base w/powder coat finish & sliding doors, clear acrylic canopy, 5" NSF approved black casters, 2 w/ locks, 6' cord & plug. Table top models available.

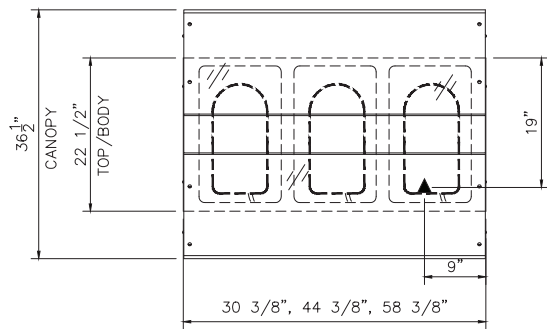
ECONO MATE BUFFET UNITS - HOT FOOD UNITS

Catalog No. EMB-HOT

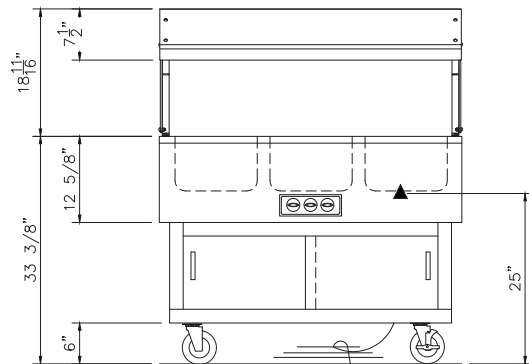
A.I.A. File No. 35-C-13

EMB-03

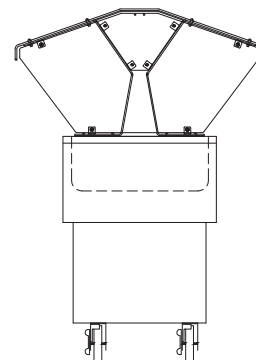
Econo Mate®



TOP VIEW



FRONT VIEW



SIDE VIEW

Econo Mate Buffet Units - Hot Food

- DPAH-2-HF/OPAH-2-HF** Portable (floor models) 2 hot food wells
- DPAH-3-HF/OPAH-3-HF** Portable (floor models) 3 hot food wells
- DPAH-4-HF/OPAH-4-HF** Portable (floor models) 4 hot food well
- TAH-2-HF** Table Top - 2 hot food wells
- TAH-3-HF** Table Top - 3 hot food wells
- TAH-4-HF** Table Top - 4 hot food wells

LEGEND	
▲	- ELECTRICAL CONNECTION
When ordering storage bases, precede model number with "O" for Open Base or "D" for closed base with doors. Example: OPAH-2-BC for open base unit.	

DIMENSIONS:

Portable Hot Food Units - All units 33-3/8" (84.8 cm) high

FREIGHT CLASS: 100

Model	Length		Width		Depth		Top Openings	Cube ft. Crated	Weight	
	in.	cm	in.	cm	in.	cm			lbs.	kg
DPAH-2-HF/OPAH-2-HF	30-3/8	77.2	22-1/2	57.2	8	20.3	2	23.0	225/221	102.3/100.5
DPAH-3-HF/OPAH-3-HF	44-3/8	112.8	22-1/2	57.2	8	20.3	3	32.0	261/257	118.6/116.8
DPAH-4-HF/OPAH-4-HF	58-3/8	148.3	22-1/2	57.2	8	20.3	4	40.9	297/293	135.0/133.2

Table Top Hot Food Units - All units 13-5/8" (34.7 cm) high

FREIGHT CLASS: 100

	Length		Width		Depth		Top Openings	Cube ft. Crated	Weight	
	in.	cm	in.	cm.	in.	cm			lbs.	kg
TAH-2-HF	30-3/8	77.2	22-1/2	57.2	8	12.7	2	12.1	144	65.5
TAH-3-HF	44-3/8	112.8	22-1/2	57.2	8	12.7	3	61.7	197	89.6
TAH-4-HF	58-3/8	148.3	22-1/2	57.2	8	12.7	4	21.4	275	125.0

ELECTRICAL SPECIFICATIONS:

Model	120 Volt			208 Volt			240 Volt		
	Watts	Amps	NEMA	Watts	Amps	NEMA	Watts	Amps	NEMA
PAH-2-HF/TAH-2-HF	1000	8.3	5-15	1500	7.2	6-20	1500	6.2	6-20
PAH-3-HF/TAH-3-HF	1500	12.5	5-15	2250	10.8	6-20	2250	9.4	6-20
PAH-4-HF/TAH-4-HF	2000	16.6	L5-15	3000	14.4	6-20	3000	12.5	6-20

DUKE MANUFACTURING CO.

2305 N. Broadway
St. Louis, MO 63102

800.735.3853 Toll Free
800.231.1130 In Missouri
314.231.5074 Fax
www.dukemfg.com



Specification subject to change

02/12
Printed in U.S.A.
© 2012, Duke Manufacturing Co.