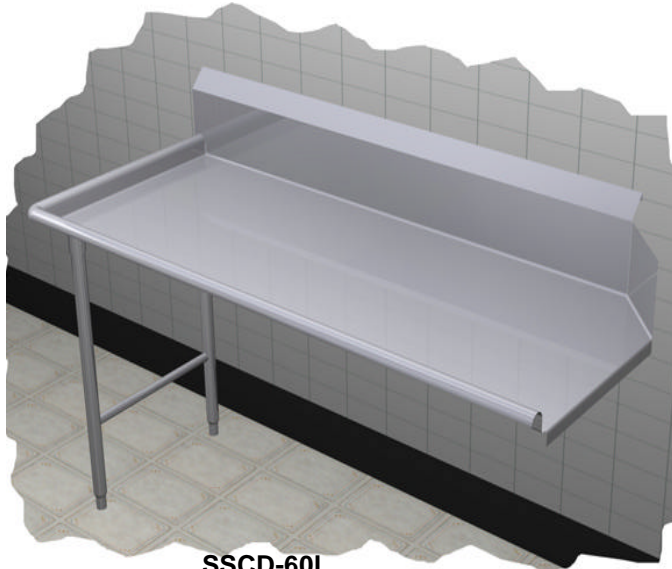


Duke Specifications



"Your Solutions Partner"

F.O.B. St. Louis, Missouri 63102



SSCD-60L

STANDARD MODIFICATIONS:

- Flanged feet - **SK-19**
- Install Booster Heater Brackets (brackets not included) - **SK-27**
- Stainless steel welded leg assembly (H-frame) - **SK-32**
(One standard - units over 120" to have 2)
- Stainless steel welded lengthwise crossrail - **SK-58**

- 18 gauge stainless steel removable undershelf
 - DTUDSS-18**
 - DTUDSS-24**
 - DTUDSS-30**
 - DTUDSS-42**
 - DTUDSS-54**
 - DTUDSS-66**
 - DTUDSS-78**

SPECIAL MODIFICATIONS:

Special modifications may be added. Consult Accessories and Modification specification sheet.

AGENCY LISTING:



DUKE MANUFACTURING CO.
2305 N. Broadway
St. Louis, MO 63102

800.735.3853 Toll Free
314.231.1130 In Missouri
314.231.5074 Fax
www.dukemfg.com

PROJECT INFORMATION:

PROJECT: _____
 ITEM: _____
 QUANTITY: _____

MODEL:

**Duke Dishtables
Straight Clean**

| <u>Supreme / 4 ga.</u> | <u>Deluxe / 16 ga.</u> | <u>Length</u> |
|--|--|------------------|
| <input type="checkbox"/> SSCD-24 L or R | <input type="checkbox"/> DSCD-24 L or R | 24" length unit |
| <input type="checkbox"/> SSCD-36 L or R | <input type="checkbox"/> DSCD-36 L or R | 36" length unit |
| <input type="checkbox"/> SSCD-48 L or R | <input type="checkbox"/> DSCD-48 L or R | 48" length unit |
| <input type="checkbox"/> SSCD-60 L or R | <input type="checkbox"/> DSCD-60 L or R | 60" length unit |
| <input type="checkbox"/> SSCD-72 L or R | <input type="checkbox"/> DSCD-72 L or R | 72" length unit |
| <input type="checkbox"/> SSCD-96 L or R | <input type="checkbox"/> DSCD-96 L or R | 96" length unit |
| <input type="checkbox"/> SSCD-120 L or R | <input type="checkbox"/> DSCD-120 L or R | 120" length unit |

L - Left side of dishwasher / R - Right side of dishwasher

Supreme Straight Clean Dishtable

TOP:

- 14 gauge, 300 Series stainless steel
- 1-1/4" rolled rim - 2-1/2" high on front and side
- 10" rear splash - turned up 8", returned to wall
- 2" high on 45° angle with 1" turn down

UNDERBRACING:

- 12 gauge angle on 24" centers

LEGS:

- 16 gauge stainless steel - 1-5/8" OD tubing
- Stainless steel gusset
- 1" adjustable stainless steel bullet feet

CROSSRAILS:

- 16 gauge stainless steel - 1-1/4" OD tubing
- Welded to legs

Deluxe Straight Clean Dishtable

TOP:

- 16 gauge, 300 Series stainless steel
- 1-1/4" rolled rim - 2-1/2" high on front and side
- 10" rear splash - turned up 8", returned to wall
- 2" high on 45° angle with 1" turn down

UNDERBRACING:

- 12 gauge angle on 24" centers

LEGS:

- 16 gauge stainless steel - 1-5/8" OD tubing
- Stainless steel gusset
- 1" adjustable stainless steel bullet feet

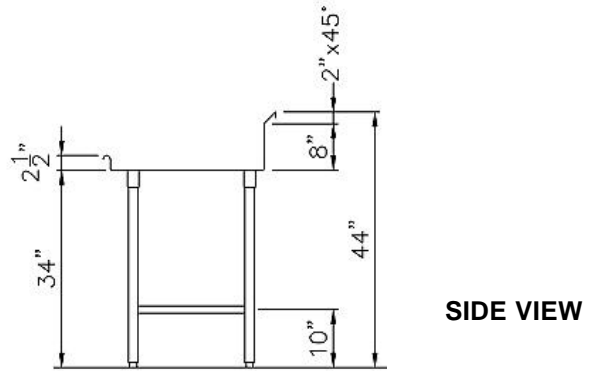
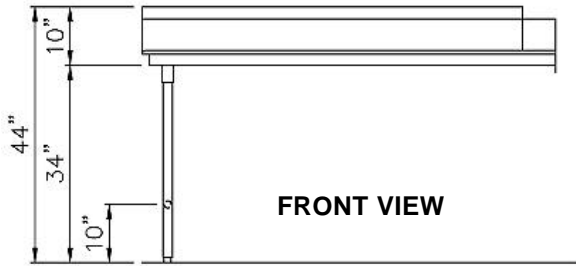
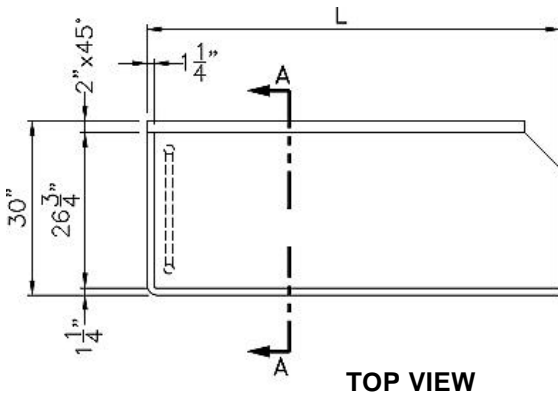
CROSSRAILS:

- 16 gauge stainless steel - 1-1/4" OD tubing
- Welded to legs



DUKE DISHTABLES
CLEAN - STRAIGHT

- | | <u>Supreme/14 ga.</u> | <u>Deluxe/16 ga.</u> | <u>Length</u> |
|--------------------------|-----------------------|--|------------------|
| <input type="checkbox"/> | SSCD-24 L or R | <input type="checkbox"/> DSCD-24 L or R | 24" length unit |
| <input type="checkbox"/> | SSCD-36 L or R | <input type="checkbox"/> DSCD-36 L or R | 36" length unit |
| <input type="checkbox"/> | SSCD-48 L or R | <input type="checkbox"/> DSCD-48 L or R | 48" length unit |
| <input type="checkbox"/> | SSCD-60 L or R | <input type="checkbox"/> DSCD-60 L or R | 60" length unit |
| <input type="checkbox"/> | SSCD-72 L or R | <input type="checkbox"/> DSCD-72 L or R | 72" length unit |
| <input type="checkbox"/> | SSCD-96 L or R | <input type="checkbox"/> DSCD-96 L or R | 96" length unit |
| <input type="checkbox"/> | SSCD-120 L or R | <input type="checkbox"/> DSCD-120 L or R | 120" length unit |
- L - Left side of dishwasher / R - Right side of dishwasher



DIMENSIONS:

Freight Class: 85

| Model | "L" Sizes | | Width (front to back) | | Height - w/o riser | | Cube ft. crated | Weight | |
|------------------------------------|-----------|-------|-----------------------|------|--------------------|------|-----------------|--------|------|
| | in. | cm | in. | cm | in. | cm | | lbs. | kg |
| SSCD-24 L or R DSCD-24 L or R | 24 | 61.0 | 30 | 76.2 | 34 | 86.4 | 24.8 | 35 | 15.9 |
| SSCD-36 L or R DSCD-36 L or R | 36 | 91.7 | 30 | 76.2 | 34 | 86.4 | 34.7 | 45 | 20.5 |
| SSCD-48 L or R DSCD-48 L or R | 48 | 121.7 | 30 | 76.2 | 34 | 86.4 | 44.6 | 60 | 27.3 |
| SSCD-60 L or R DSCD-60 L or R | 60 | 152 | 30 | 76.2 | 34 | 86.4 | 54.6 | 70 | 31.8 |
| SSCD-72 L or R DSCD-72 L or R | 72 | 182.9 | 30 | 76.2 | 34 | 86.4 | 64.5 | 85 | 38.6 |
| SSCD-96 L or R DSCD-96 L or R | 96 | 243.8 | 30 | 76.2 | 34 | 86.4 | 84.3 | 110 | 49.9 |
| SSCD-120 L or R DSCD-120 L or R | 120 | 304.7 | 30 | 76.2 | 34 | 86.4 | 104.1 | 160 | 72.6 |



"Your Solutions Partner"

DUKE MANUFACTURING CO.
 2305 N. Broadway
 St. Louis, MO 63102

800.735.3853 Toll Free
 314.231.1130 In Missouri
 314.231.5074 Fax
 www.dukemfg.com

Specifications subject to change