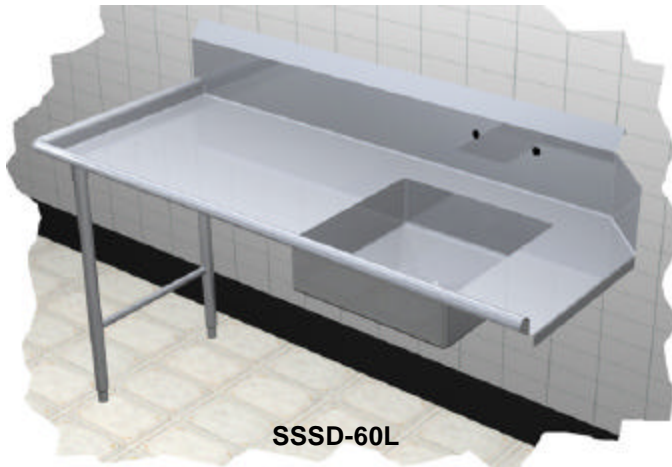


Duke Specifications



"Your Solutions Partner"

F.O.B. St. Louis, Missouri 63102



SSSD-60L

STANDARD MODIFICATIONS:

- 12" x 15" disposer control bracket with VB holes in splash - **SK-6**
- Installation of disposer collar - collar by others - **SK-15**
- Flanged feet - **SK-19**
- Stainless steel welded leg assembly (H-frame) - **SK-32**
(One standard - units 120" to have 2)
- Scrap block installed - **SK-34**
- Stainless steel sink cover - **SK-35**
- Stainless steel perforated basket with rack slide - **SK-57**
- Stainless steel welded lengthwise crossrail - **SK-58**
- Stainless steel rack slide - **SK-59**
- 5" x 7" disposer switch bracket with VB holes in splash - **SK-60**

- 18 gauge stainless steel removable undershelf
 - DTUDSS-18**
 - DTUDSS-24**
 - DTUDSS-30**
 - DTUDSS-42**
- DTUDSS-54**
- DTUDSS-66**
- DTUDSS-78**

SPECIAL MODIFICATIONS:

Special modifications may be added. Consult Accessories and Modification specification sheet.

AGENCY LISTING:



DUKE MANUFACTURING CO.
2305 N. Broadway
St. Louis, MO 63102

800.735.3853 Toll Free
314.231.1130 In Missouri
314.231.5074 Fax
www.dukemfg.com

PROJECT INFORMATION:

PROJECT: _____
ITEM: _____
QUANTITY: _____

MODEL:

Duke Dishtables
Straight-Soil

	<u>Supreme / 14 ga.</u>	<u>Deluxe / 16 ga.</u>	<u>Length</u>
<input type="checkbox"/>	SSSD-36 L or R	<input type="checkbox"/> DSSD-36 L or R	36" length unit
<input type="checkbox"/>	SSSD-48 L or R	<input type="checkbox"/> DSSD-48 L or R	48" length unit
<input type="checkbox"/>	SSSD-60 L or R	<input type="checkbox"/> DSSD-60 L or R	60" length unit
<input type="checkbox"/>	SSSD-72 L or R	<input type="checkbox"/> DSSD-72 L or R	72" length unit
<input type="checkbox"/>	SSSD-96 L or R	<input type="checkbox"/> DSSD-96 L or R	96" length unit
<input type="checkbox"/>	SSSD-120 L or R	<input type="checkbox"/> DSSD-120 L or R	120" length unit

L - Left side of dishwasher / R - Right side of dishwasher

Supreme Straight-Soil Dishtable

TOP:

- 14 gauge, 300 Series stainless steel
- 1-1/4" rolled rim - 2-1/2" high on front and side
- 10" rear splash - turned up 8", returned to wall
- 2" high on 45° angle with 1" turn down

BOWL:

- 14 gauge, 300 Series stainless steel
- 20-1/2" x 20-1/2" x 5" deep

UNDERBRACING:

- 12 gauge angle on 24" centers

LEGS:

- 16 gauge stainless steel - 1-5/8" OD tubing
- Stainless steel gusset
- 1" adjustable stainless steel bullet feet

CROSSRAILS:

- 16 gauge stainless steel - 1-1/4" OD tubing
- Welded to legs

Deluxe Straight-Soil Dishtable

TOP:

- 16 gauge, 300 Series stainless steel
- 1-1/4" rolled rim - 2-1/2" high on front and side
- 10" rear splash - turned up 8", returned to wall
- 2" high on 45° angle with 1" turn down

BOWL:

- 16 gauge, 300 Series stainless steel
- 20-1/2" x 20-1/2" x 5" deep

UNDERBRACING:

- 12 gauge angle on 24" centers

LEGS:

- 16 gauge stainless steel - 1-5/8" OD tubing
- Stainless steel gusset
- 1" adjustable stainless steel bullet feet

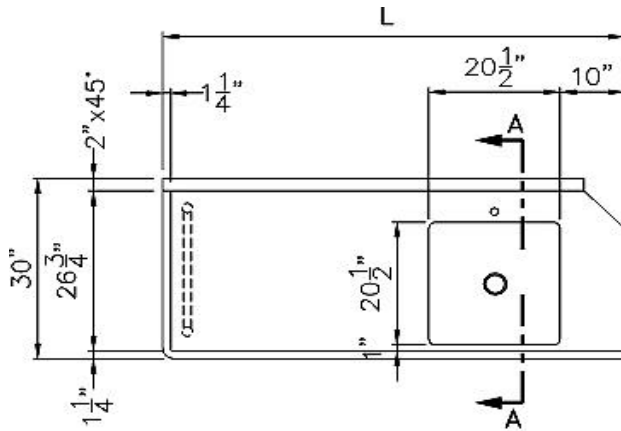
CROSSRAILS:

- 16 gauge stainless steel - 1-1/4" OD tubing
- Welded to legs

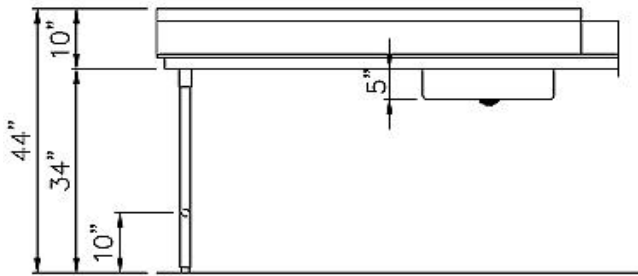
Aerohot®

**DUKE DISHTABLES
STRAIGHT - SOIL**

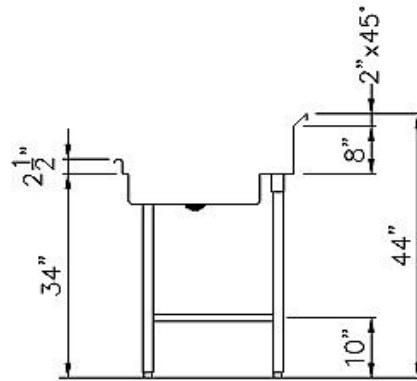
- | Supreme/14 ga. | | Deluxe 16 ga. | | Length |
|--------------------------|-----------------|--------------------------|-----------------|------------------|
| <input type="checkbox"/> | SSSD-36 L or R | <input type="checkbox"/> | DSSD-36 L or R | 36" length unit |
| <input type="checkbox"/> | SSSD-48 L or R | <input type="checkbox"/> | DSSD-48 L or R | 48" length unit |
| <input type="checkbox"/> | SSSD-60 L or R | <input type="checkbox"/> | DSSD-60 L or R | 60" length unit |
| <input type="checkbox"/> | SSSD-72 L or R | <input type="checkbox"/> | DSSD-72 L or R | 72" length unit |
| <input type="checkbox"/> | SSSD-96 L or R | <input type="checkbox"/> | DSSD-96 L or R | 96" length unit |
| <input type="checkbox"/> | SSSD-120 L or R | <input type="checkbox"/> | DSSD-120 L or R | 120" length unit |
- L - Left side of dishwasher / R - Right side of dishwasher



TOP VIEW



FRONT VIEW



SECTION A-A

DIMENSIONS:

Freight Class: 85

Model	Length		Width		Height		Cube ft. crated	Weight	
	in.	cm	in.	cm	in.	cm		lbs.	kg
SSSD-36 L or R DSSD-36 L or R	36	91.4	30	76.2	34	86.4	34.7	70	31.8
SSSD-48 L or R DSSD-48 L or R	48	121.9	30	76.2	34	86.4	44.6	85	38.6
SSSD-60 L or R DSSD-60 L or R	60	152.4	30	76.2	34	86.4	54.6	100	45.5
SSSD-72 L or R DSSD-72 L or R	72	182.9	30	76.2	34	86.4	64.5	115	52.3
SSSD-96 L or R DSSD-96 L or R	96	243.8	30	76.2	34	86.4	84.3	135	61.4
SSSD-120 L or R DSSD-120 L or R	120	304.8	30	76.2	34	86.4	104.1	185	84.1



"Your Solutions Partner"

DUKE MANUFACTURING CO.
2305 N. Broadway
St. Louis, MO 63102

800.735.3853 Toll Free
314.231.1130 In Missouri
314.231.5074 Fax
www.dukemfg.com