



"Your Solutions Partner"

Specifications

F.O.B Sedalia, Missouri 65301



E303-25
Shown with optional Wood Carving Board & 3 bar tray slide

OPTIONS:

- 3 bar tray slides - 3BTS-FX/HD
- Individual valves
- Sliding doors - A328-xPG/xSS
- Door locks
- Serving shelves w/glass protector panels - A956-460 - x
- Glass display shelves - A98x
- Self Service Canopies - TS530-xx, TS530-xx-1SN
- Buffet shelves - A83x
- Adapter panels - A31, A32, A33
- Telescope and flat covers - 546, 548
- Insets - 521 thru 524
- Stainless steel carving boards - A442-xS/A445-xS
- Wood carving boards - A442-xW/A445-xW
- Stainless steel dish shelf - A441-xS
- Solid tray slides - SOLID - FX/HD
- Kick plates
- 3 phase wiring
- 6 ft. Cord and plug - ACORD
- 5" casters, 2 swivel w/locks - AACA-SW
- Drop brackets on tray slide - AHD-BRKT-3BTS
- Drop brackets on carving board - AHD-BRKT-CB
- Veneered plastic laminate panels on body
- Duplex outlet inside base
- Omit bottom shelf
- Heat-in-Base module - HTD-BASE-M
- Tier of stainless steel angle sides

AGENCY LISTINGS:



DUKE MANUFACTURING CO.
2305 N. Broadway
St. Louis, MO 63102

800.735.3853 Toll Free
314-231-1130 In Missouri
314.231.5074 Fax
www.dukemfg.com

Approval Stamp(s):

PRODUCT INFORMATION:

PROJECT: _____
ITEM: _____
QUANTITY: _____

MODEL:

AeroServ Serving Systems Hot Food Units - Electric

- E302-25 2 top openings
- E303-25 3 top openings
- E304-25 4 top openings
- E305-25 5 top openings

TOP:

- 20 gauge, 300 Series stainless steel
- Die stamped openings - 12" x 20"

HEAT COMPARTMENTS:

- Wired for 120, 208, or 240 volt - 1 phase
- Infinite switch for each sealed hot food well with drain
- Heavy gauge stainless steel liner with drain, 6-1/2" deep
- 750, 900 or 1200 watt element in each compartment
- Drains copper manifolded to brass master valve

BODY:

- Paint grip or stainless steel
 - Choice of (12) powder coat paint colors (must choose one)
 - #217105 - Designer White
 - #217150 - Orange
 - #217107 - Hollyberry Red
 - #217127 - Frence Green
 - #217102 - Silver Hammer
 - #217101 - Semi-Gloss Black
 - #217103 - Natural Almond
 - #217154 - Racing Red
 - #217120 - Sky Blue
 - #217152 - Stone Gray
 - #217113 - Brown Kickplate
 - #217125 - Textured Black
- Flanged or channeled edges
 - Welded together with local reinforcements
 - Mounted on 6" stainless steel legs with adjustable feet

SHORT FORM SPECIFICATIONS:

Duke AeroServ Serving Systems - Hot Food Units - Electric . Top shall be constructed of 20 gauge, 300 Series stainless steel. Edges on all sides and ends to be flanged down 2" against body. Top of unit shall have die-stamped beaded openings, each 12" x 20". Body and shelves shall be formed of powder coated paint grip steel or stainless steel, with integrally flanged or channeled edges for rigidity and structural strength. Each body individually welded together with local reinforcements as required. Stainless steel heat wells have 3/4" drain with copper manifolds and brass valves. Each sealed well compartment to have 750, 900 or 1200 watt electric element. Unit shall be wired to operate on 120, 208 or 240 volt, single phase AC current, as ordered. Each section shall be controlled by infinite switch. 6" polished stainless steel legs to be furnished. Must add "PG" to model number for Paint Grip Bodies, "SS" for Stainless steel bodies.

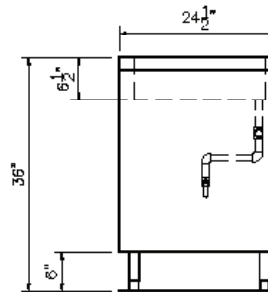
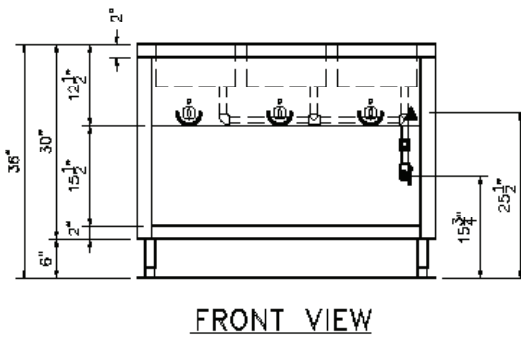
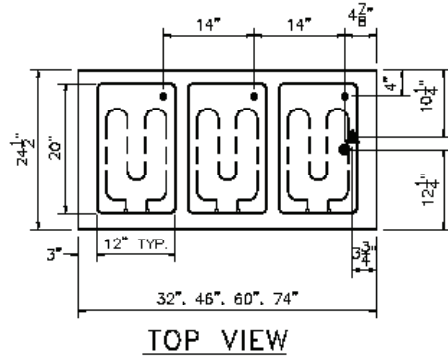
AeroServ

AEROSERV SERVING SYSTEMS

Hot Food Units - Electric

- E302-25** 2 top openings
- E303-25** 3 top openings
- E304-25** 4 top openings
- E305-25** 5 top openings

ND
SINGLE PHASE



DIMENSIONS:

FREIGHT CLASS: 150

Model	Depth		Width		Height		Top Openings	Cube ft. crated	Weight	
	in	cm	in.	cm	in.	cm			lbs	kg
E302-25	32	81.3	24-1/2	62.2	36	91.4	2	28.6	220	110.0
E303-25	46	116.8	24-1/2	62.2	36	91.4	3	39.1	284	129.1
E304-25	60	152.4	24-1/2	62.2	36	91.4	4	49.6	349	158.6
E305-25	74	188.0	24-1/2	62.2	36	91.4	5	60.1	419	190.5

ELECTRICAL SPECIFICATIONS

Model	120 Volt - 750 watt element			208 Volt - 900 watt element			240 Volt - 1200 watt element		
	watts	amps	NEMA	watts	amps	NEMA	watts	amps	NEMA
E302-25	1500	12.5	5-15	1800	8.7	6-20	2400	10.0	6-20
E303-25	2250	18.8	L5-30	2700	13.0	6-20	3600	15.0	6-20
E304-25	3000	25.0	5-50	3600	17.3	L6-30	4800	20.0	L6-30
E305-25	3750	31.3	5-50	4500	21.6	L6-30	6000	25.0	6-50

DUKE MANUFACTURING CO.
 2305 N. Broadway
 St. Louis, MO 63102



800.735.3853 Toll Free
 314.231.5074 Fax
 www.dukemfg.com

“Your Solutions Partner”

Specification subject to change

06/08
 Printed in U.S.A
 © 2008, Duke Manufacturing Co.